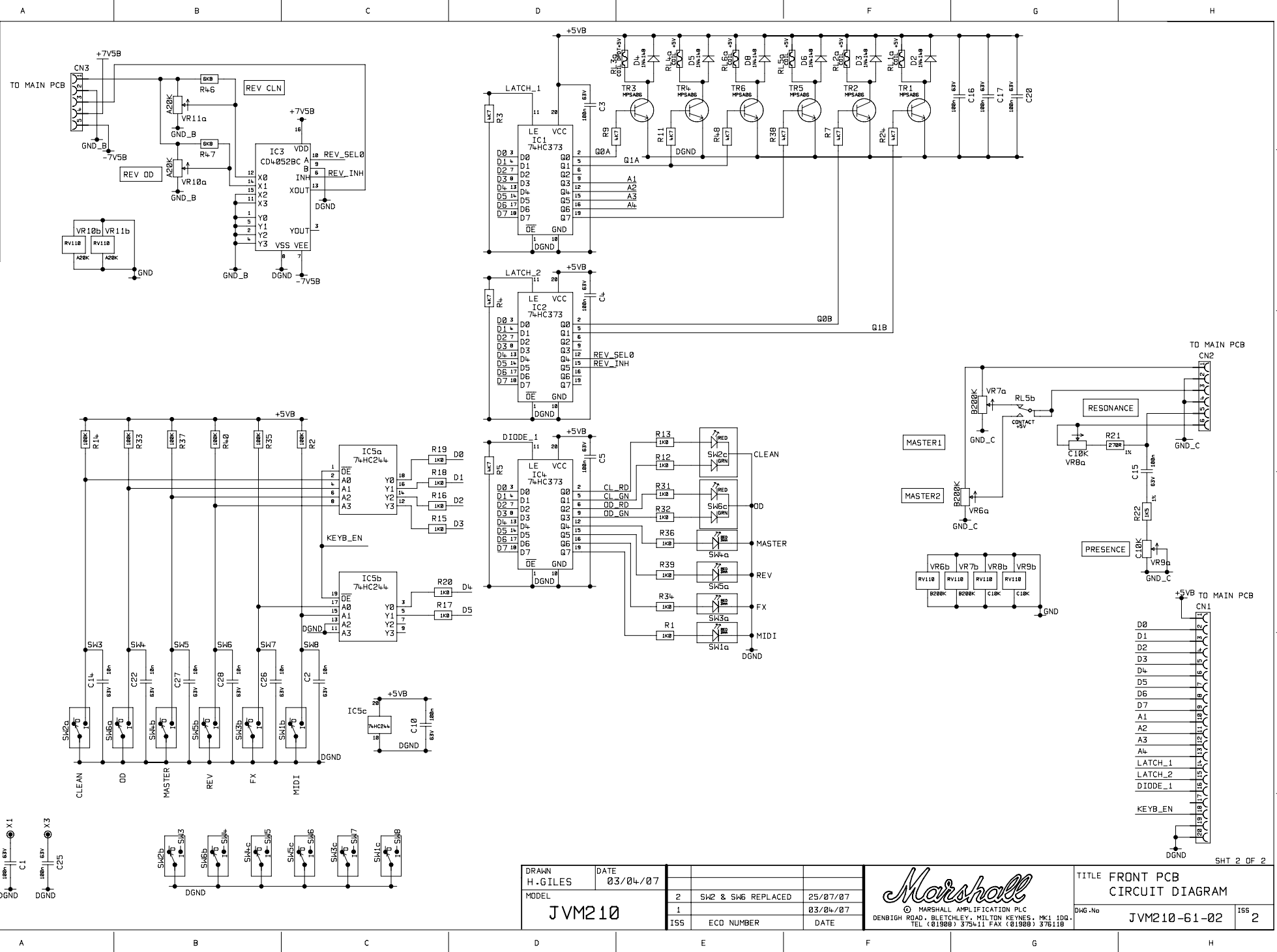


DIAG. No. JVM210H-62-02




 © MARSHALL AMPLIFICATION PLC
 DENBIGH ROAD, BLETCHLEY, MILTON KEYNES, MK1 10Q.
 TEL: (01908) 375411 FAX: (01908) 376118

TITLE FRONT PCB CIRCUIT DIAGRAM	DWG. No. JVM210-61-02	ISS 2
---------------------------------------	--------------------------	----------