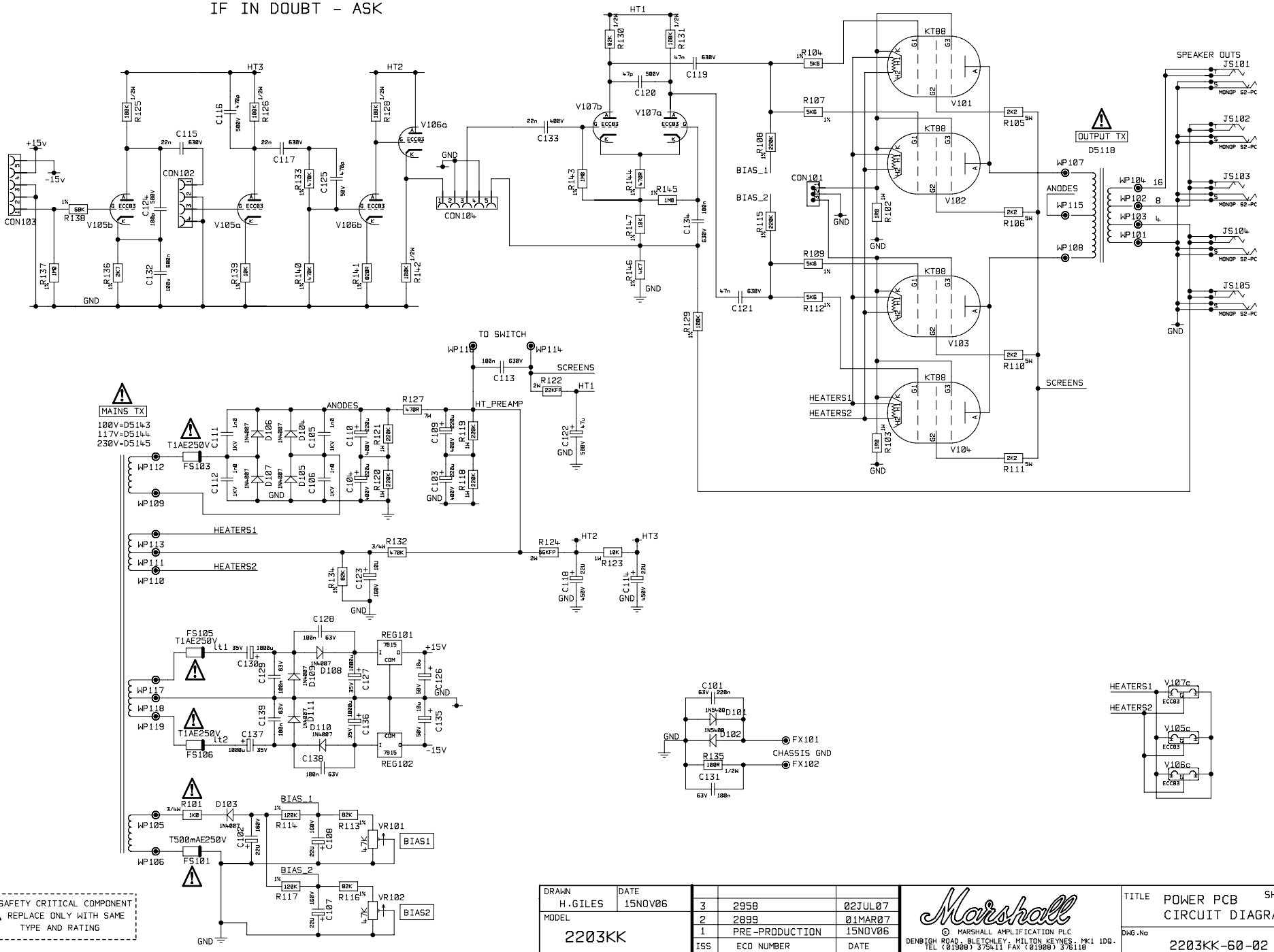


DIAG. No. 2203KK-60-02

IF IN DOUBT - ASK



MAINS TX
100V-DS143
117V-DS144
230V-DS145

T1AE250V

FS103

WP112
WP109

HEATERS1
HEATERS2

WP113
WP111
WP110

WP117
WP118
WP119

T1AE250V
FS106

R101
D103
T500mA E250V
FS101
WP105
WP106

BIAS 1
BIAS 2

VR101
VR102

GND

SAFETY CRITICAL COMPONENT
REPLACE ONLY WITH SAME
TYPE AND RATING

DRAWN	H-GILES	DATE	15NOV06
MODEL	2203KK	ISS	ECO NUMBER
3	2958	02JUL07	01MAR07
2	2899	15NOV06	PRE-PRODUCTION
1	PRE-PRODUCTION	15NOV06	DATE

Marshall
MARSHALL AMPLIFICATION PLC
DENBIGH ROAD, BLETCHLEY, MILTON KEYNES, MK1 1DG.
TEL (01908) 375111 FAX (01908) 376118

TITLE	POWER PCB	SHT 1 OF 1
CIRCUIT DIAGRAM		
DIAG. No.	2203KK-60-02	ISS
		3