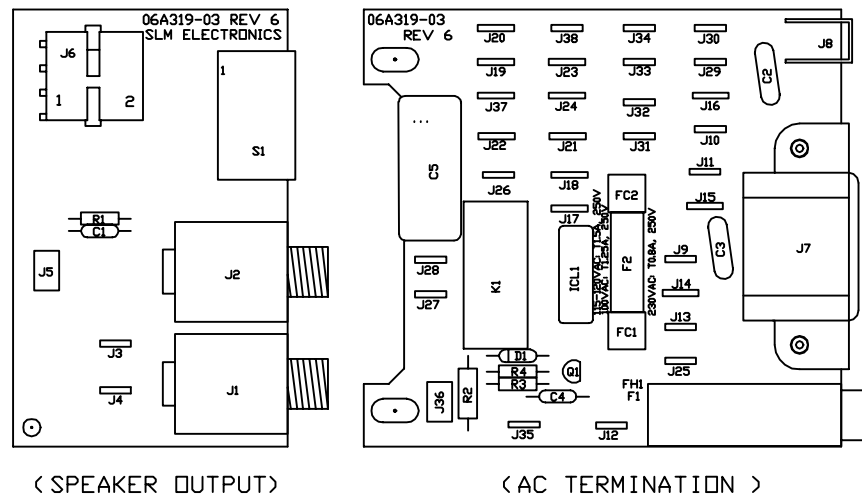


NOTES

- 1) CAUTION: SHOCK HAZARD!!  
THIS UNIT CONTAINS HAZARDOUS VOLTAGE. DISCONNECT POWER AND BE SURE POWER SUPPLY IS DISCHARGED BEFORE TOUCHING INTERNAL PARTS.
- 2) UNLESS NOTED, RESISTOR VALUES IN OHMS, 1/4W-5% TOL. CAPACITOR VALUES IN MICROFARADS, 50V-10% TOL.
- 3) VOLTAGES ARE MEASURED WITH 1 MEGOHM OSCILLOSCOPE AND 10 MEGOHM DIGITAL VOLTMETER.
- 4) CIRCUIT GROUND  $\perp$  DIRTY GROUND  $\nabla$  CHASSIS GROUND  $\nabla$
- 5) GOOD PRACTICE PER USUAL PRACTICE.

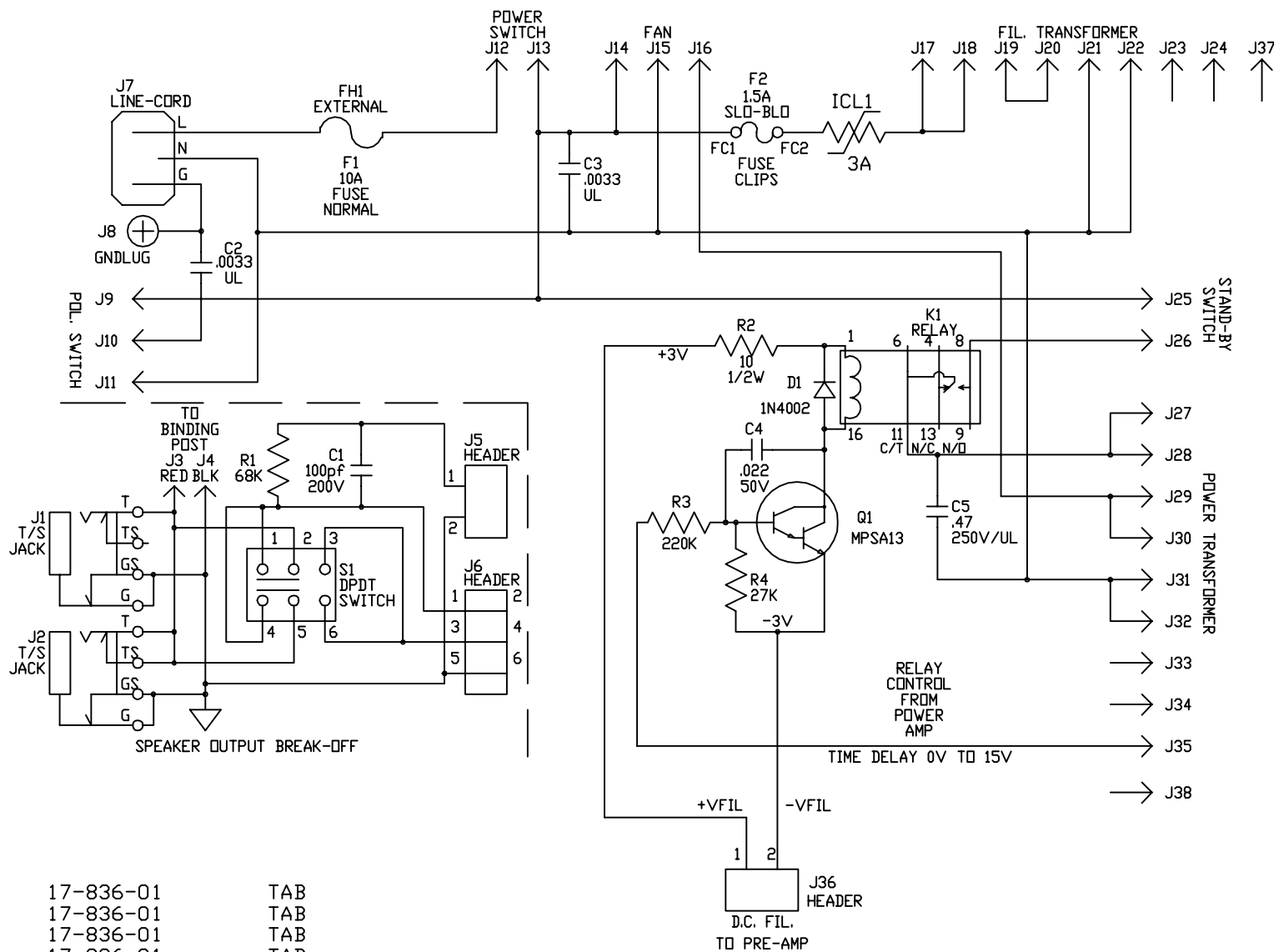


ARTWORK REV. 6

DESIGNATOR PART# DESCRIPTION

C1	10A101-21	100pf	200V
C2	10-332-01	0.0033	UL
C3	10-332-01	0.0033	UL
C4	10A223-01	0.022	50V
C5	10-474-25	0.47	250V/UL
D1	21A402-01	1N4002	
FC1	23-926-02	FUSE	CLIP
FC2	23-926-02	FUSE	CLIP
FH1	23-346-01	FUSE	HOLDER
Ⓢ ICL1	73-501-03	3A INRUSH LIMITER	
J1	39-116-01	T/S	JACK
J2	39-116-01	T/S	JACK
J3	17-836-01	TAB	
J4	17-836-01	TAB	
J5	17-310-02	2PIN	HEADER
J6	17-195-06	6PIN	HEADER
J7	17-604-01	LINE-CORD	CONNECTOR
J8	51-149-01	GNDLUG	
J9	17-894-01	TAB	
J10	17-894-01	TAB	
J11	17-894-01	TAB	
J12	17-836-01	TAB	
J13	17-836-01	TAB	
J14	17-894-01	TAB	
J15	17-894-01	TAB	
J16	17-894-01	TAB	
J17	17-894-01	TAB	
J18	17-894-01	TAB	
J19	17-894-01	TAB	
J20	17-894-01	TAB	
J21	17-894-01	TAB	
J22	17-894-01	TAB	
J23	17-894-01	TAB	
J24	17-894-01	TAB	

J25	17-836-01	TAB
J26	17-836-01	TAB
J27	17-836-01	TAB
J28	17-836-01	TAB
J29	17-836-01	TAB
J30	17-836-01	TAB
J31	17-836-01	TAB
J32	17-836-01	TAB
J33	17-836-01	TAB
J34	17-836-01	TAB
J35	17-836-01	TAB
J36	17-310-02	2PIN HEADER
Ⓢ J37	17-894-01	TAB
Ⓢ J38	17-836-01	TAB
K1	82-505-01	RELAY
Q1	96-013-01	MPSA13
R1	76-683-01	68K
R2	77-100-01	10 1/2W
R3	76-224-01	220K
R4	76-273-01	27K
S1	88-214-02	SWITCH
F1	23-310-01	10A FUSE NORMAL
F2	23-308-05	1.5A FUSE SLO-BLO
PCB1	06A319-03	PC BRD.
<b>MISC. HARDWARE</b>		
(2)	30-638-53	SCREW
(2)	30-700-01	NUT
(1)	23-346-11	FUSE HOLDER CAP



REV	DATE	BY	CHK'D	DESCRIPTION
9				
8	11/13/97	SWR		ADDED ICL1, J37, & J38. PER ECO #970682.
7	11/04/96	SWR		CHANGED P/N FOR FC1 & FC2 & LABEL FOR F2. PER ECO #960445.
6	05/07/96	LMA	G. M.	ADDED C5 PER E960093
5	11/08/95	DMM		CHANGED 39-116-51 TO 39-116-01 PER E950348
4	03/22/95	REM		R1 FROM 33K TO 68K RESISTOR.
3	04/11/94	BC		CHANGED F1 FROM 15A TO 10A FUSE (23-315-01 TO 23-310-01) PER ECO E101
2	04/07/94	SWR		CHANGED C2 TO 10-332-01 .0033 UL. PER ECO #E126.
1	08/09/93	SWR		CHANGED P/N FOR PARTS J1 & J2.
SIGNATURES: DATE:				
DRAWN: ERW		03/11/93		11880 BORMAN DR. ST. LOUIS, MISSOURI 63146
CHK'D: GM		8/9/93		
APP'D: GM		8/9/93		PROJECT NAME: SVT-2 PRO
ORIGINAL ISSUED:		8/9/93		DRAWING NAME: AC-TERM BRD.
PLOT DATE:		11/13/97		DRAWING NO. 07P319-03
PLOT TIME:		08:19:22		REV. 8
FILE NAME:		31903p8_		SCALE: 1:1 SHEET: 1 OF 1