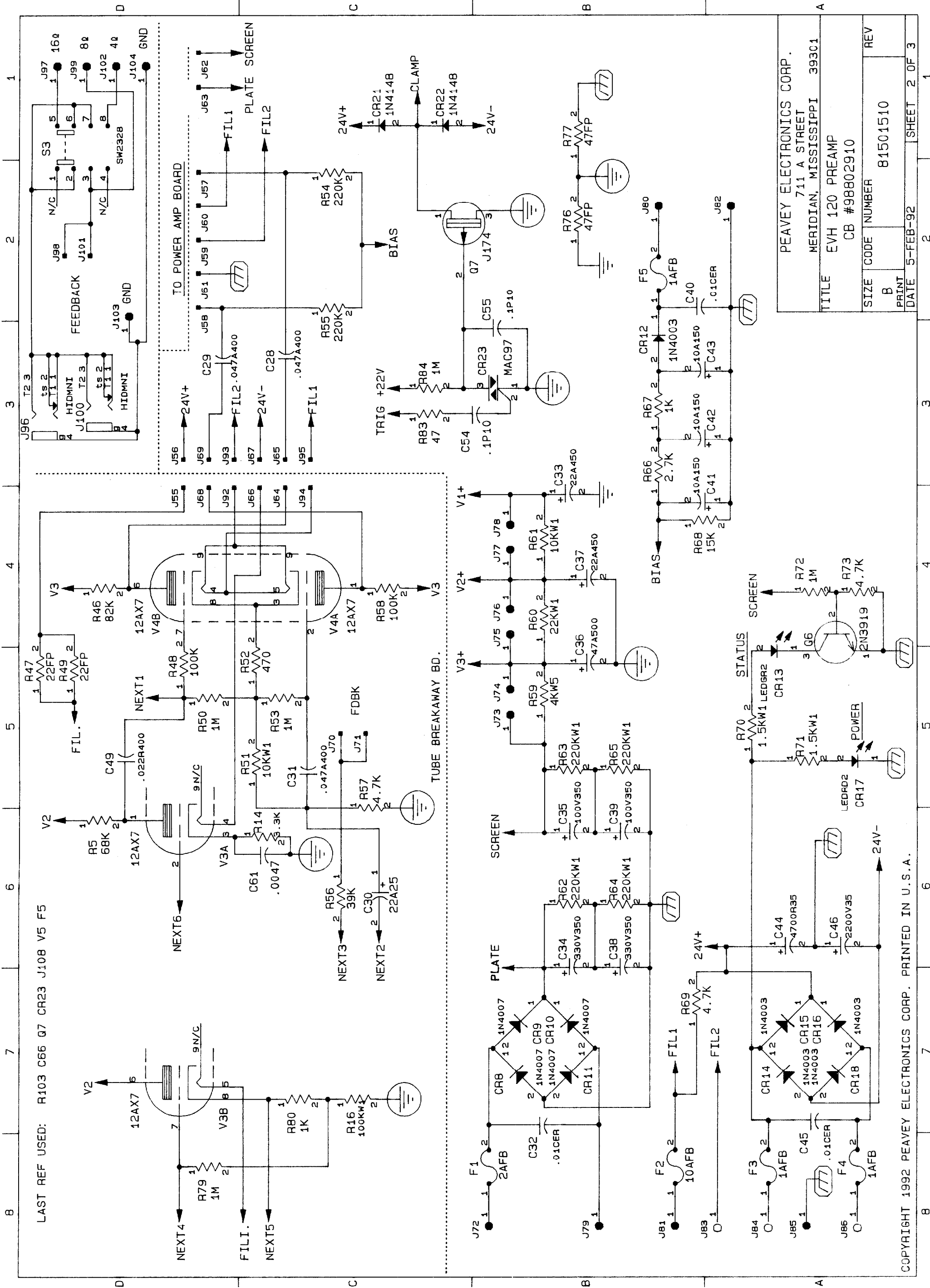


PEAVEY ELECTRONICS CORP.	
711 A STREET	
MERIDIAN, MISSISSIPPI 39301	
TITLE	VHALEN 120 PREAMP BD.
SIZE	B
CODE	NUMBER
PRINT	81501510
DATE	5-FEB-92
SHEET 1 OF 3	

COPYRIGHT 1992 PEAVEY ELECTRONICS CORP. PRINTED IN U.S.A.



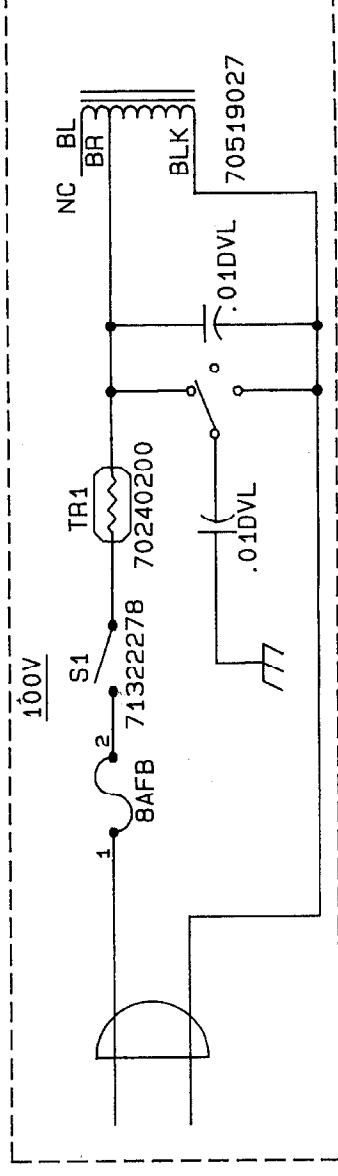
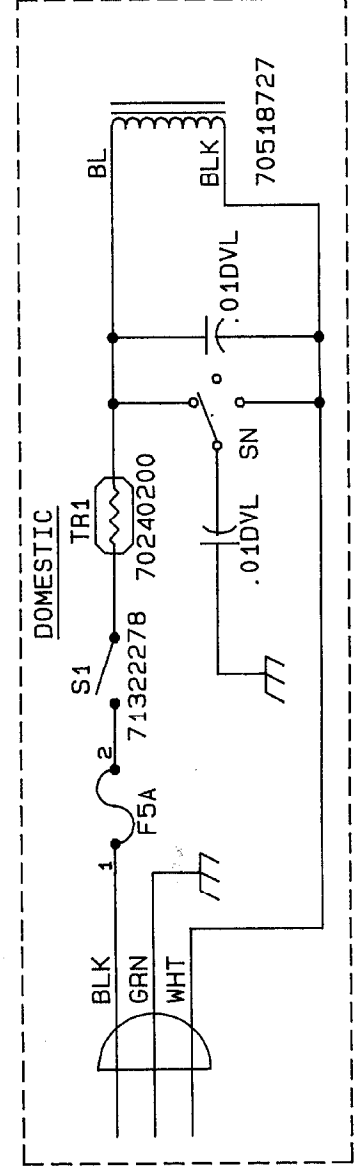
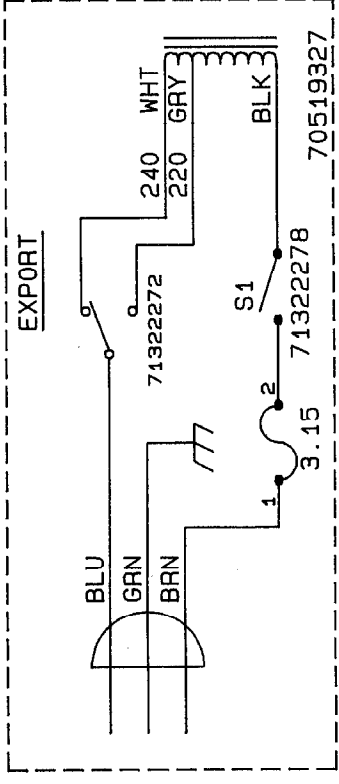
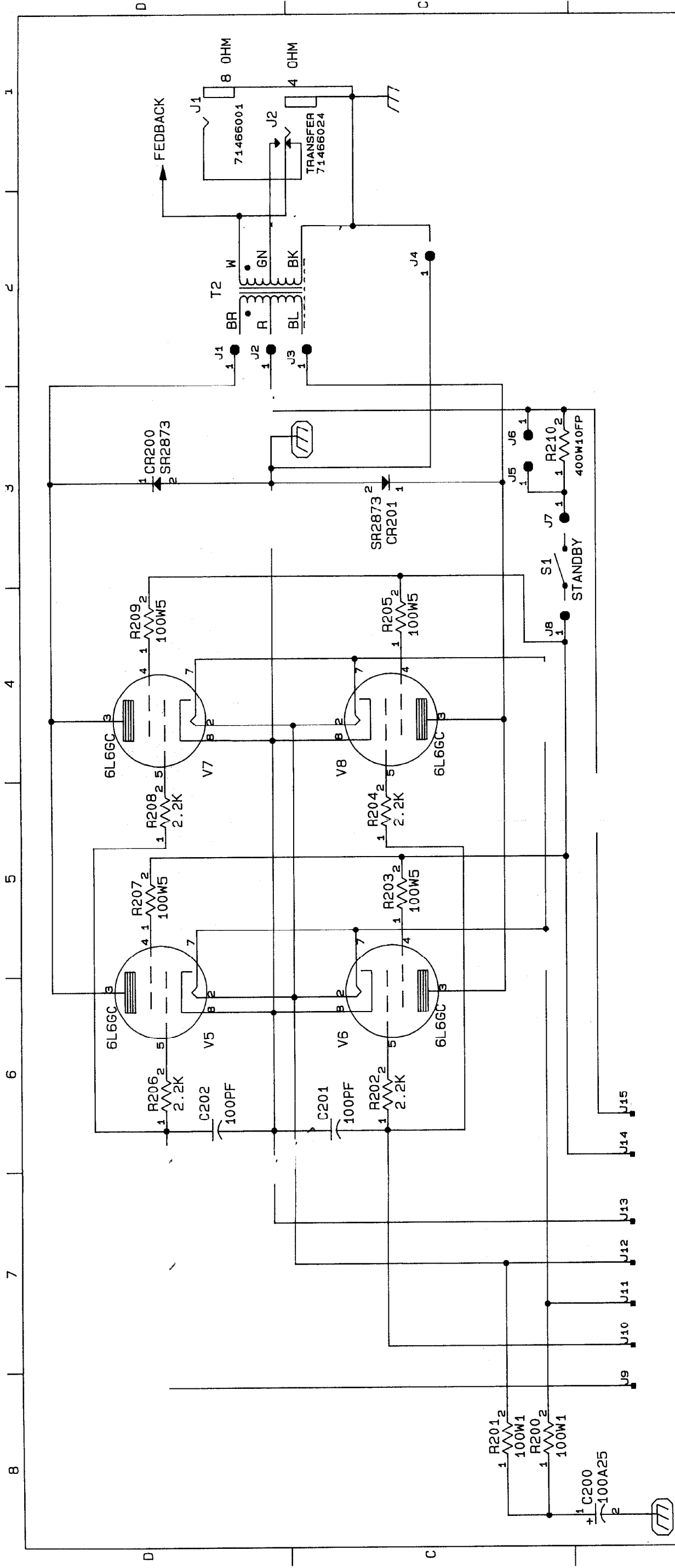
PEAVEY ELECTRONICS CORP.  
 711 A STREET  
 MERIDIAN, MISSISSIPPI 39301

TITLE EVH 120 PREAMP  
 CB #98802910

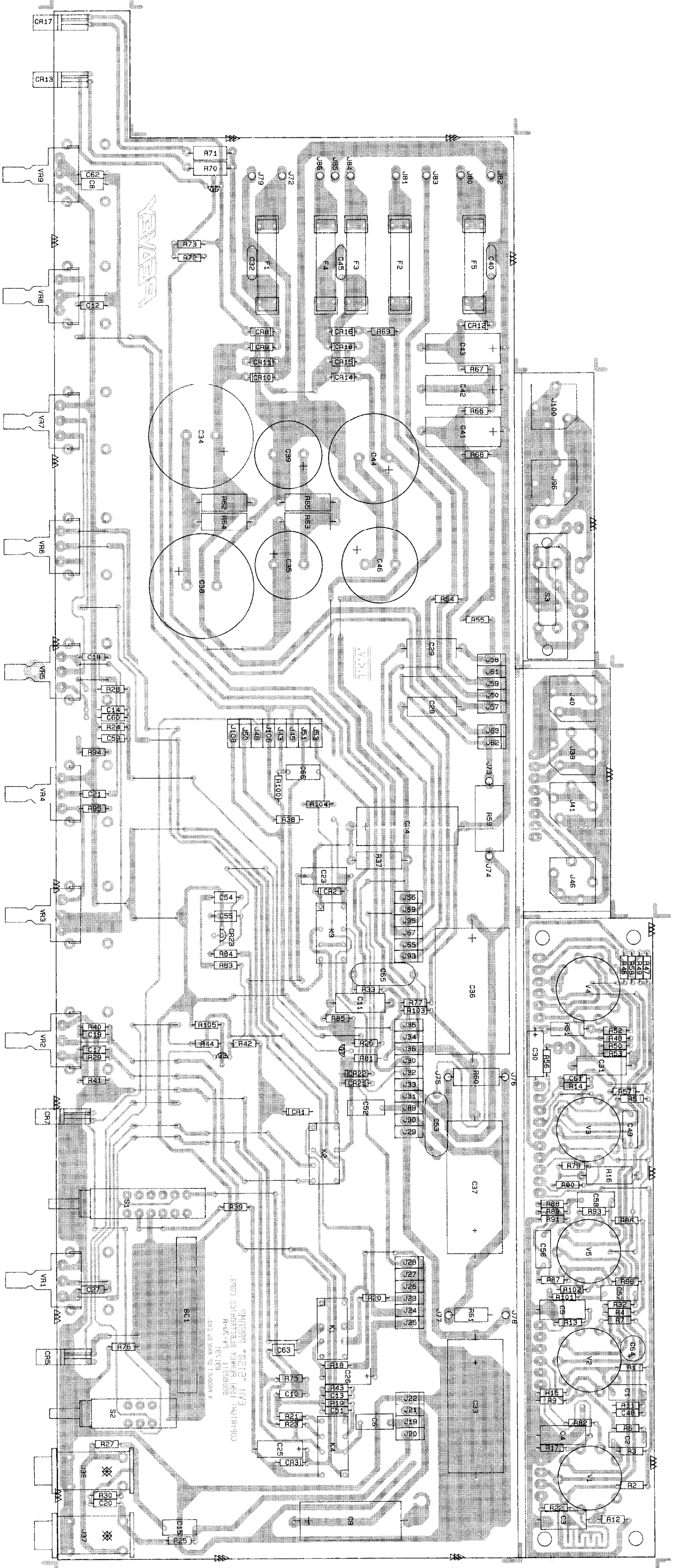
SIZE B  
 CODE NUMBER 81501510  
 PRINT REV

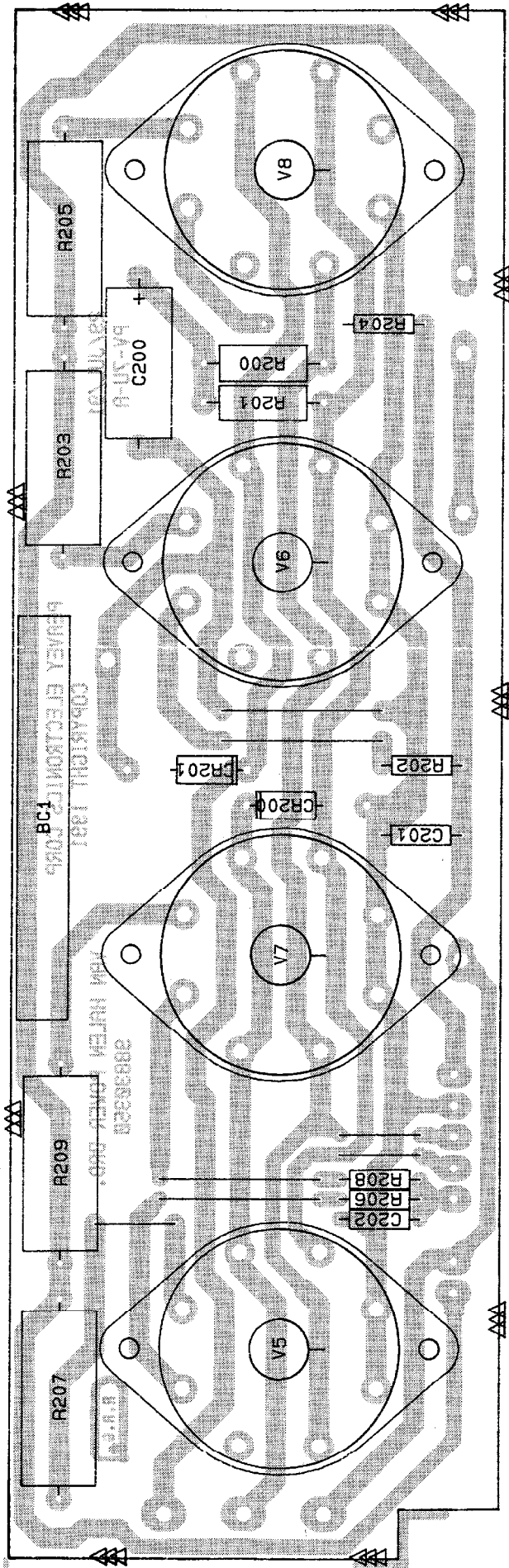
DATE 5-FEB-92 SHEET 2 OF 3

LAST REF USED: R103 C66 G7 CR23 J108 V5 F5



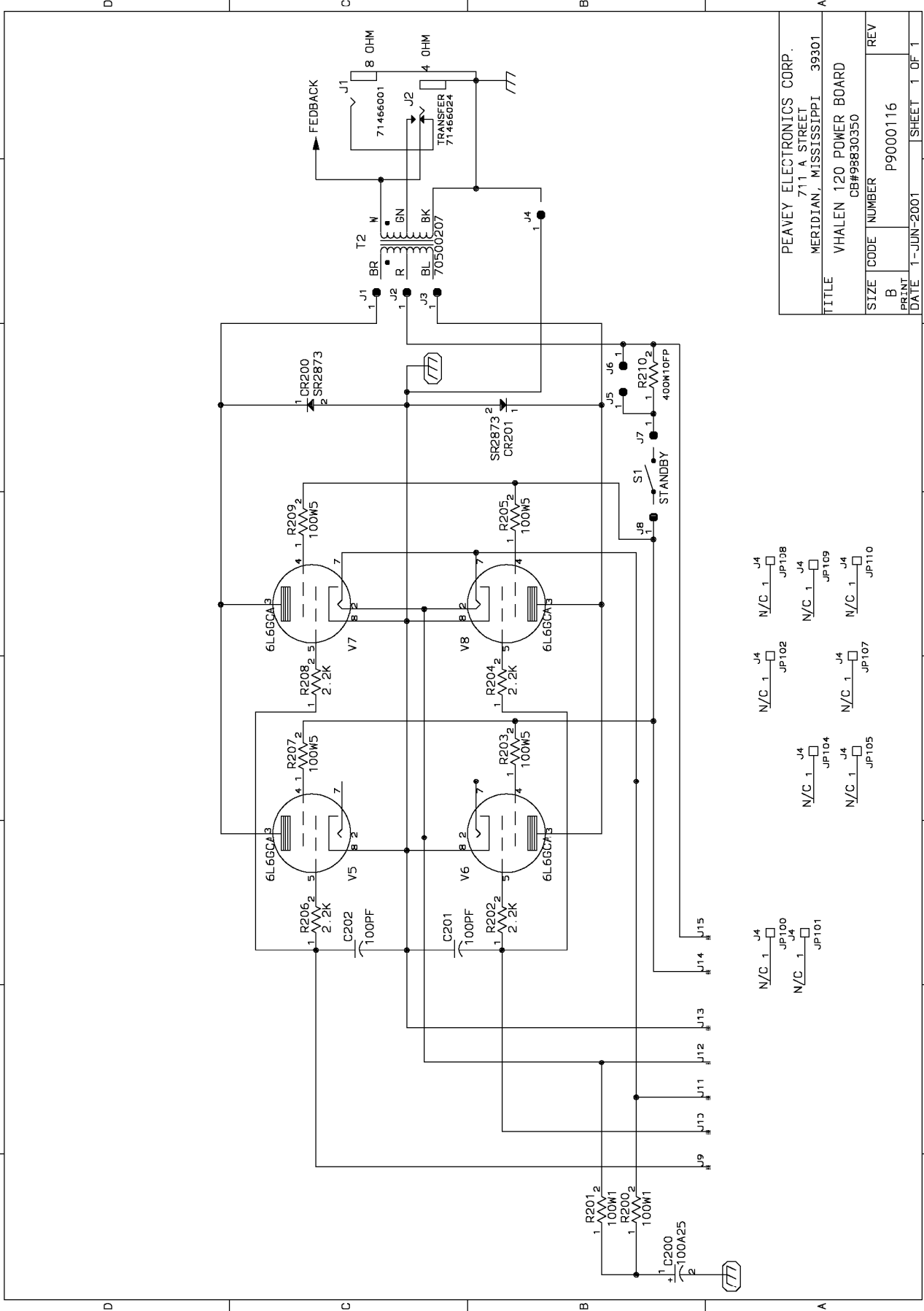
PEAVEY ELECTRONICS CORP. 711 A STREET MERIDIAN, MISSISSIPPI 39301	
TITLE	VHALEN 120 POWER BOARD CB#98830350
SIZE	CODE NUMBER
B	81501510
PRINT	REV
DATE	31-JAN-92



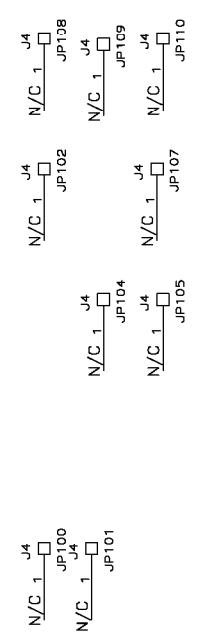


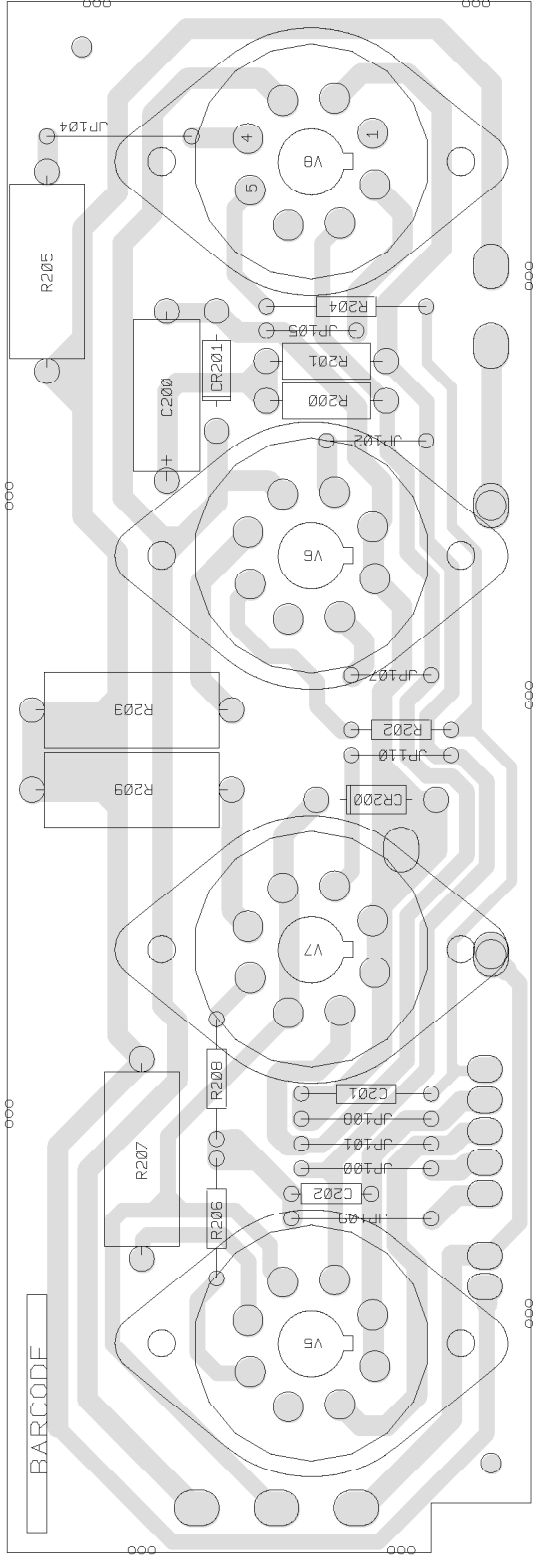


1 2 3 4 5 6 7 8



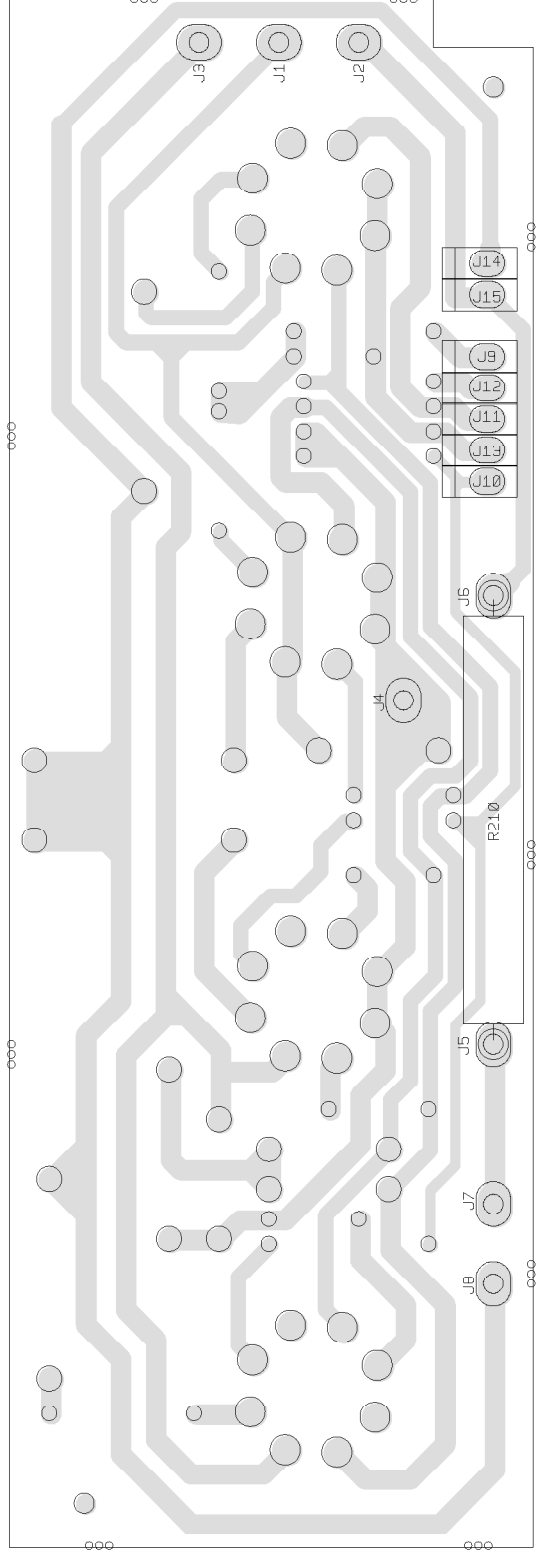
PEAVEY ELECTRONICS CORP. 711 A STREET MERIDIAN, MISSISSIPPI 39301	
TITLE	VHALEN 120 POWER BOARD CB#98830350
SIZE	CODE NUMBER
B	P9000116
PRINT	REV
DATE	1-JUN-2001
SHEET 1 OF 1	





PRIMARY SIDE

EVH POWER



SECONDARY SIDE



B I L L O F M A T E R I A L S R E P O R T

-----

BOARD NAME: VHPWR                      REPORT DATE: 29AUG01

ASSEMBLY LEVEL NUMBER: 99030352      DESIGNER: FREDDIE EAVES

PROJECT NUMBER: VHPWR

CBDS

PART	PART	DESCRIPTION AND	
** QTY. NAME	VALUE	NUMBER	DEVICE DESIGNATIONS *****
*****			
1	98830352	98830352	VHPWR      PCB
1	100A25	100A25	70320014      100 MFD 25VDC LYTIC CAP
			C200
2	100PF	100PF	70340054      100PF-----10%-----50VDC----T/C----T&R
			C201, C202
2	100W1	100W1	70210003      100---1W----5%----MO--T&R
			R200, R201
4	100W5	100W5	70250006      100--5W--10%--WW--AXL

R203, R205, R207, R209

4 2.2K 2.2K 70240020 2.2K--1/4W--5%----CF--T&R

R202, R204, R206, R208

1 400W10FP 400W10FP 70250019 400--10W--10%--FP--AXL

R210

4 6L6GCA 6L6GCA 70806604 6L6GC VAC TUBE W/INS SOCKET 70806627

V5, V6, V7, V8

9 J4 J 70600005 22GA JUMPER WIRES T&R

JP100, JP101, JP102, JP104, JP105,  
JP107, JP108, JP109, JP110

8 MMPD 73711812 73711812 R93-12 PN C.B. MALE MOLEX PIN

J1, J2, J3, J4, J5, J6, J7, J8

7 SPX1D SPX1D 73717003 1 STAKE PIN

J9, J10, J11, J12, J13, J14, J15

2 SR2873 SR2873 70402873 SR2873 2KV, 250MA SILICON DIODE

CR200, CR201

\*\*\*\*\*

\* END OF BILL OF MATERIALS REPORT \*

\*\*\*\*\*