

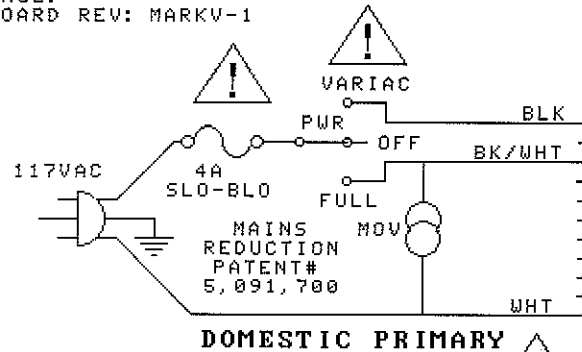
# MESA/BOOGIE MARK V

## POWER SUPPLY

FILE: MVSUP.501  
 DATE: MAR 10 2009  
 DRAWN BY: JOHN M  
 PAGE:  
 BOARD REV: MARKV-1

ALL VOLTAGES MEASURED  
 WITH 117VAC IN, 90 WATT,  
 FULL POWER, STANDBY ON,  
 LOOP ACTIVE, NO SIGNAL.

SUPPLIES A-E MEASURED IN  
 90 WATT SETTING. FOR OTHER  
 SETTINGS, ADJUST:  
 50 WATT TUBE, -20V  
 50 WATT DIODE, +8V  
 10 WATT (TUBE), -50V

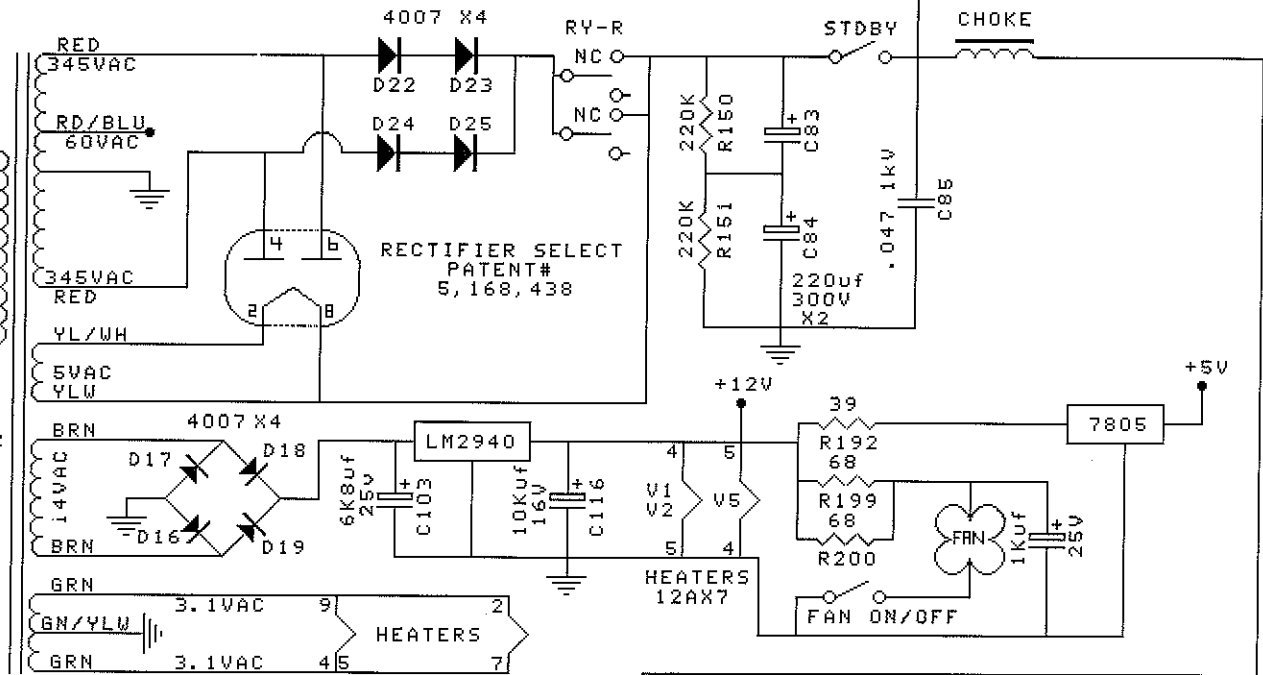


## DESIGNATORS:

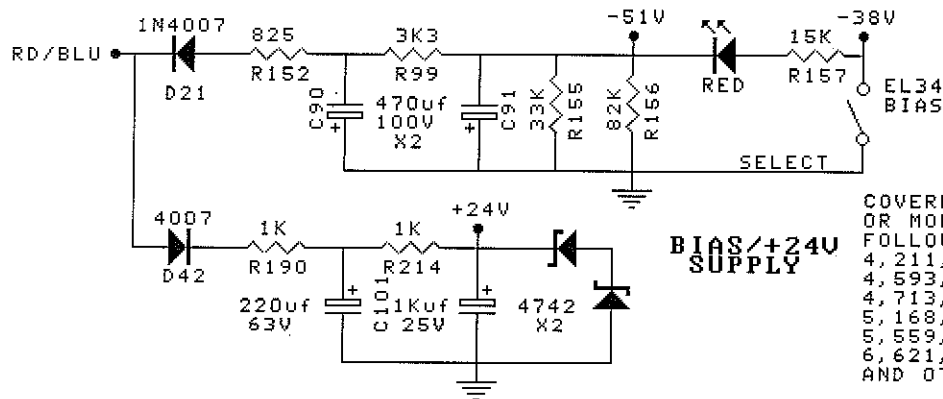
- C1=CHANNEL 1
- C2=CHANNEL 2
- C3=CHANNEL 3
- M1=CHAN 1 CLEAN
- M2=CHAN 1 FAT
- M3=CHAN 1 TWEED
- M4=CHAN 2 EDGE
- M5=CHAN 2 CRUNCH
- M6=CHAN 2 MARK 1
- M7=CHAN 3 MKIIC+
- M8=CHAN 3 MKIV
- M9=CHAN 3 EXTREME

RELAY NAME INDICATES  
 RELAY IS ON FOR THAT  
 MODE OR CHANNEL.  
 ASTERISK BY NAME  
 INDICATES REVERSE  
 LOGIC (RELAY IS OFF  
 FOR THAT MODE OR  
 CHANNEL).

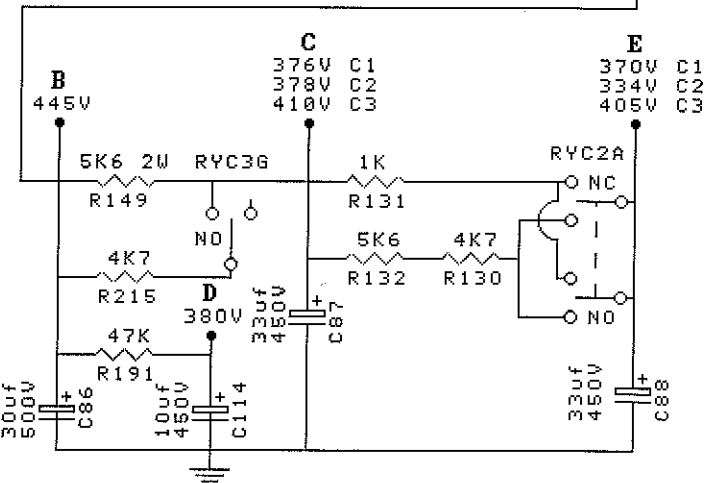
#561142



BIAS SUPPLY  
 12AX7 V3, 4, 6, 7  
 6L6/EL34



COVERED UNDER ONE  
 OR MORE OF THE  
 FOLLOWING PATENTS:  
 4,211,893; 4,532,476;  
 4,593,251; 4,701,957;  
 4,713,624; 5,091,700;  
 5,168,438; 5,208,548;  
 5,559,469; 6,522,752;  
 6,621,907; 6,724,897  
 AND OTHERS PENDING

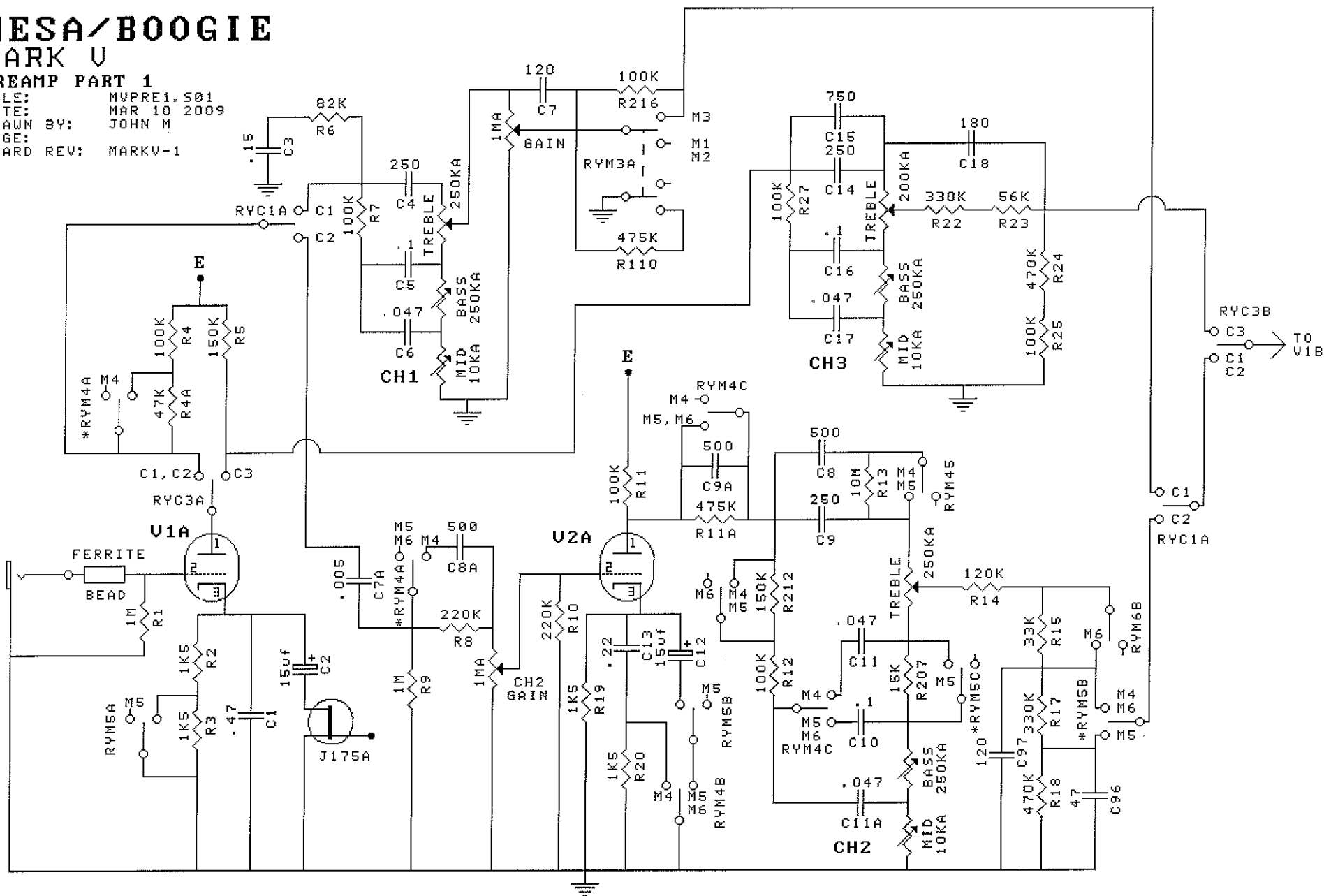


# MESA/BOOGIE

## MARK V

### PREAMP PART 1

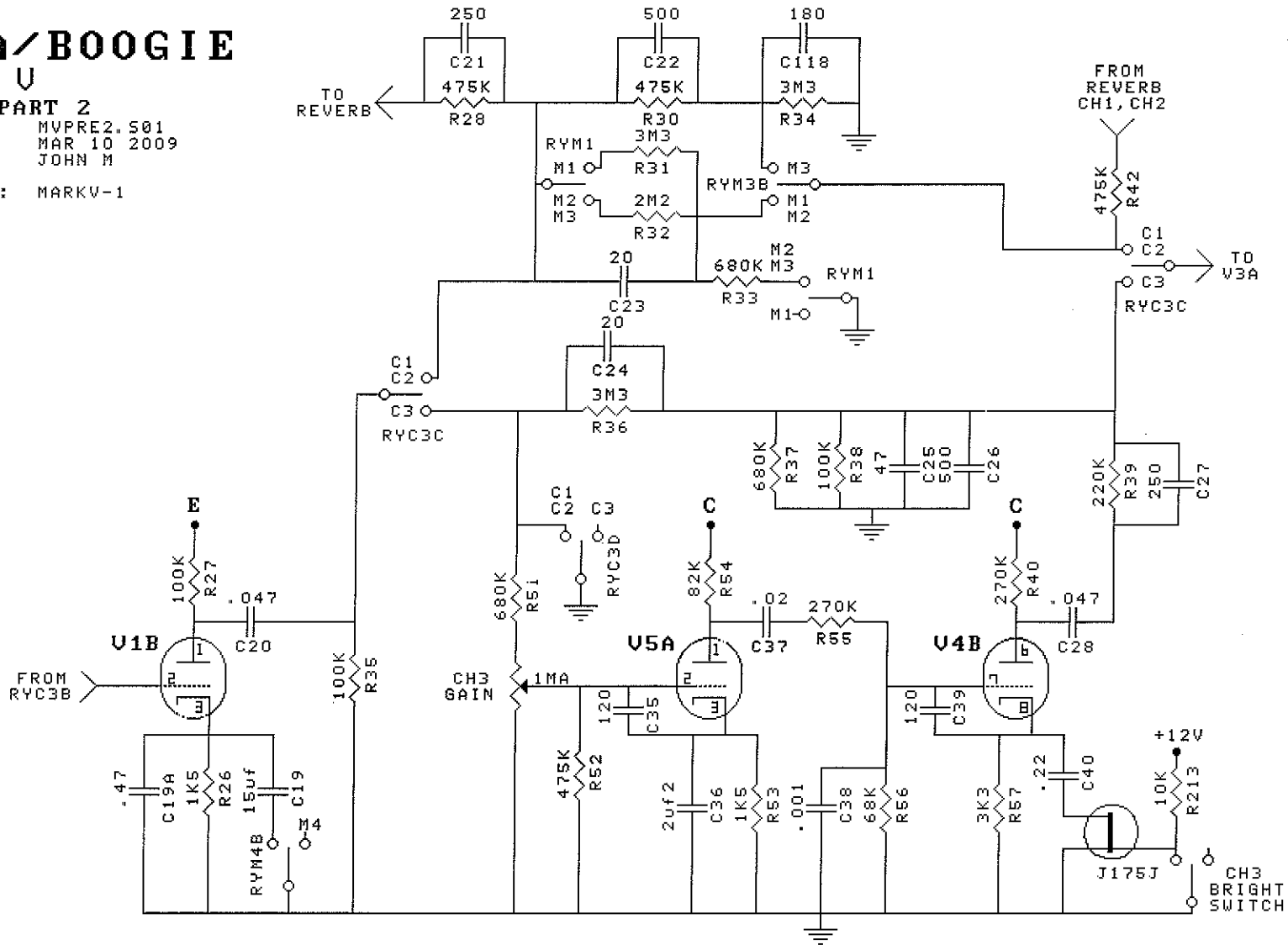
FILE: MYPRE1.S01  
DATE: MAR 10 2009  
DRAWN BY: JOHN M  
PAGE:  
BOARD REV: MARKV-1



# MESA/BOOGIE MARK V

## PREAMP PART 2

FILE: MVPRE2.S01  
 DATE: MAR 10 2009  
 DRAWN BY: JOHN M  
 PAGE:  
 BOARD REV: MARKV-1

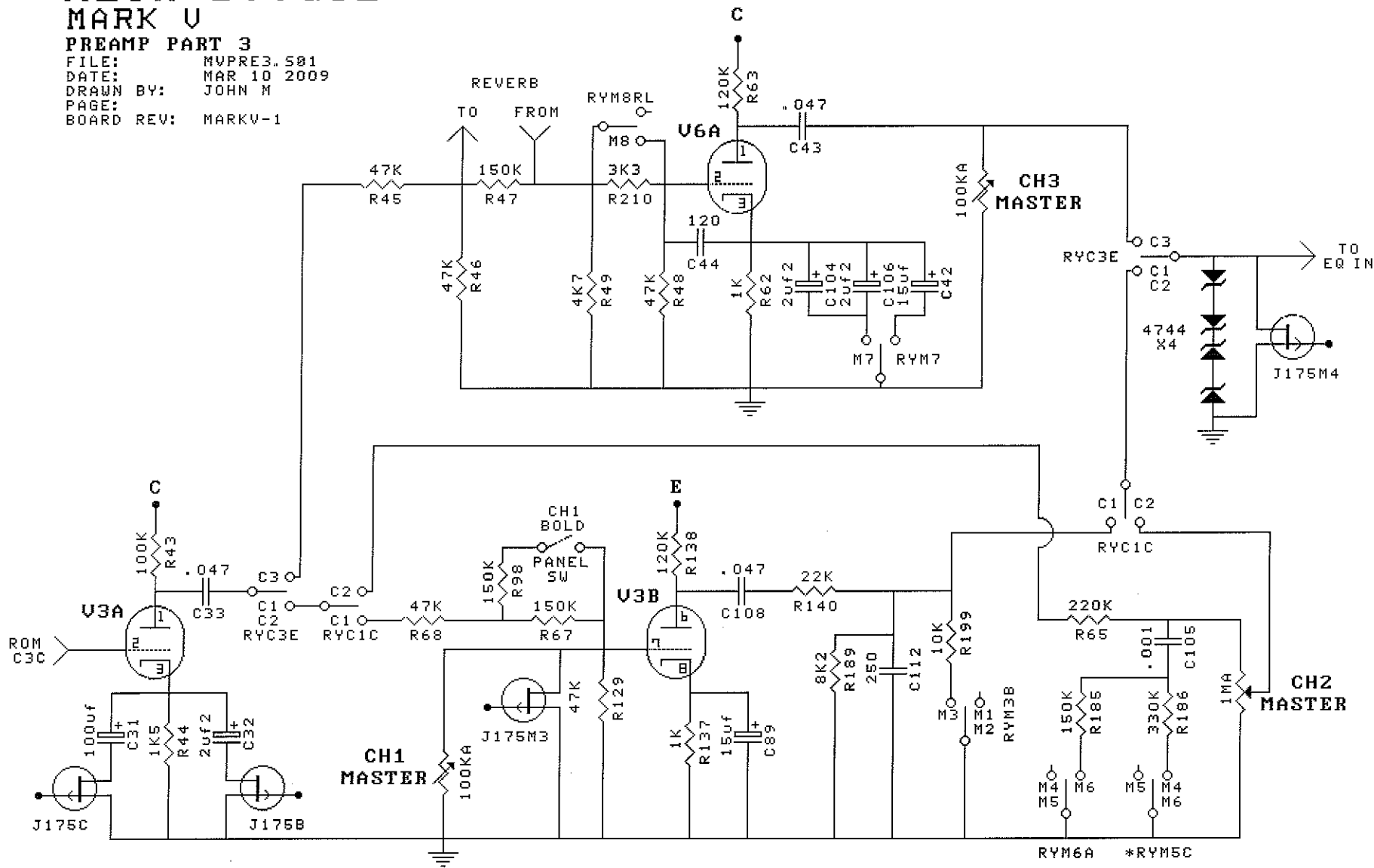


# MESA/BOOGIE

## MARK V

### PREAMP PART 3

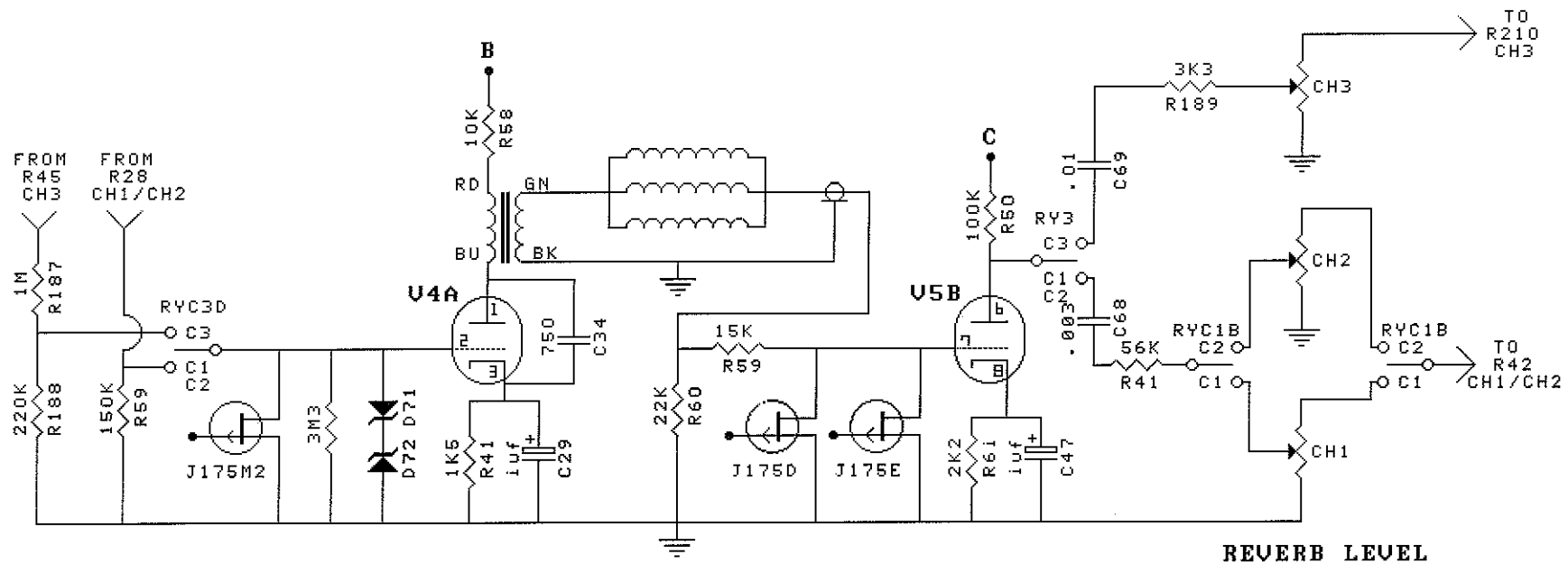
FILE: MVPRE3.501  
 DATE: MAR 10 2009  
 DRAWN BY: JOHN M  
 PAGE:  
 BOARD REV: MARKV-1



# MESA/BOOGIE MARK V

## REVERB

FILE: MVREV.S01  
DATE: MAR 10 2009  
DRAWN BY: JOHN M  
PAGE:  
BOARD REV: MARKV-1

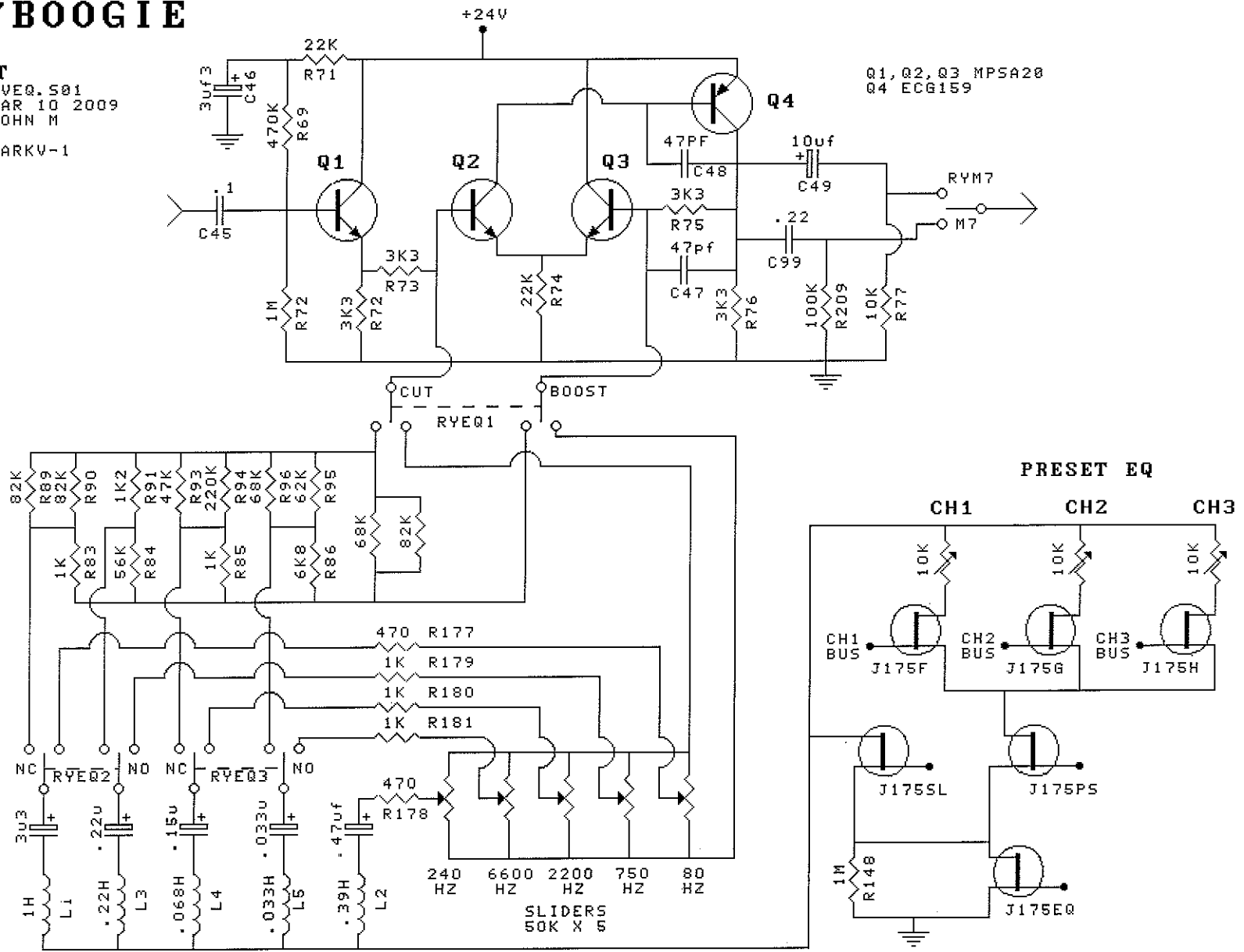


# MESA/BOOGIE

## MARK V

### EQ CIRCUIT

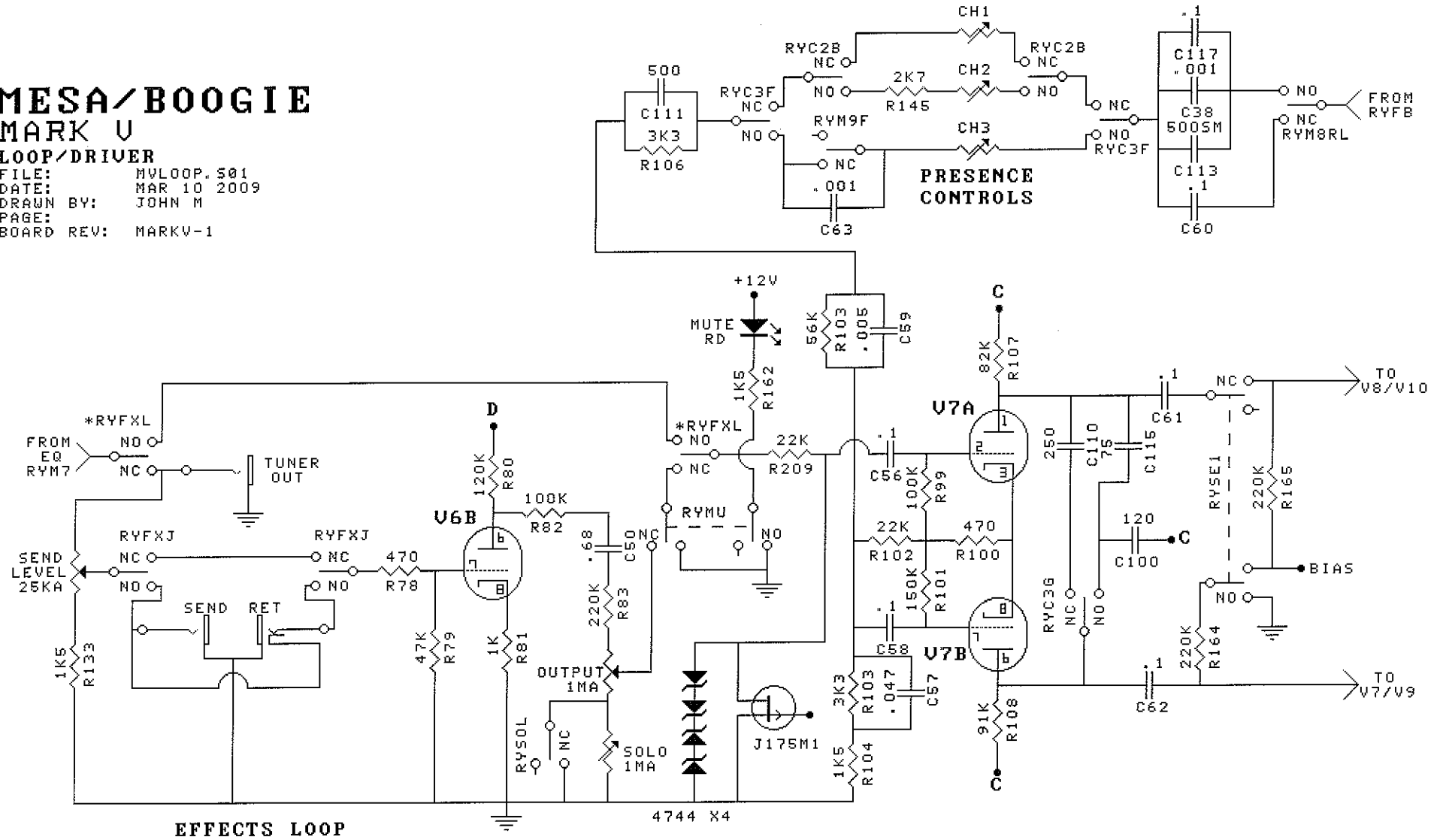
FILE: MVEQ.S01  
 DATE: MAR 10 2009  
 DRAWN BY: JOHN M  
 PAGE:  
 BOARD REV: MARKV-1



# MESA/BOOGIE MARK V

## LOOP/DRIVER

FILE: MVLOOP.S01  
 DATE: MAR 10 2009  
 DRAWN BY: JOHN M  
 PAGE:  
 BOARD REV: MARKV-1



# MESA/BOOGIE MARK V

## POWER AMP

FILE: MVPWR.S01  
 DATE: MAR 10 2009  
 DRAWN BY: JOHN M  
 PAGE:  
 BOARD REV: MARKV-1

