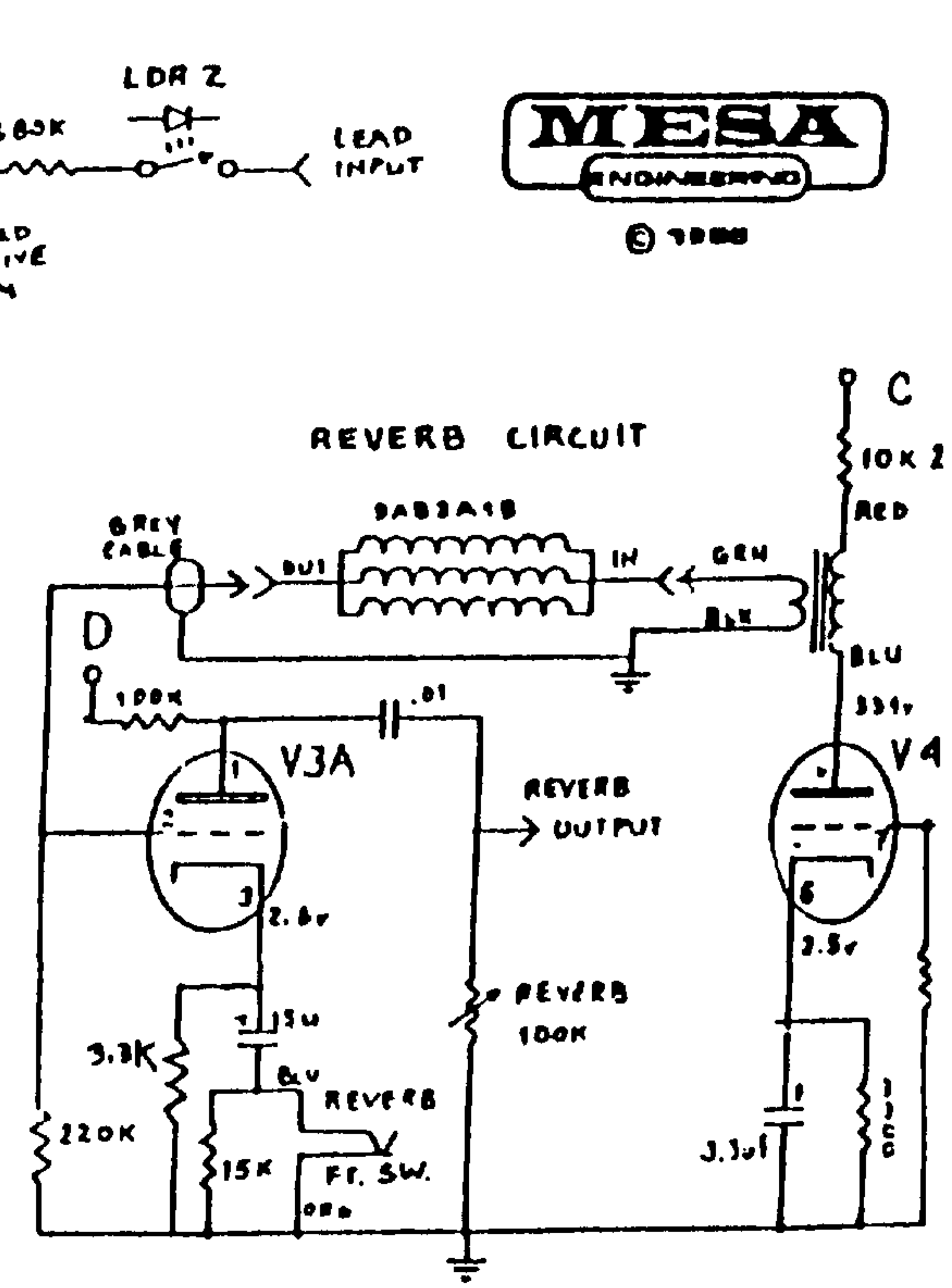
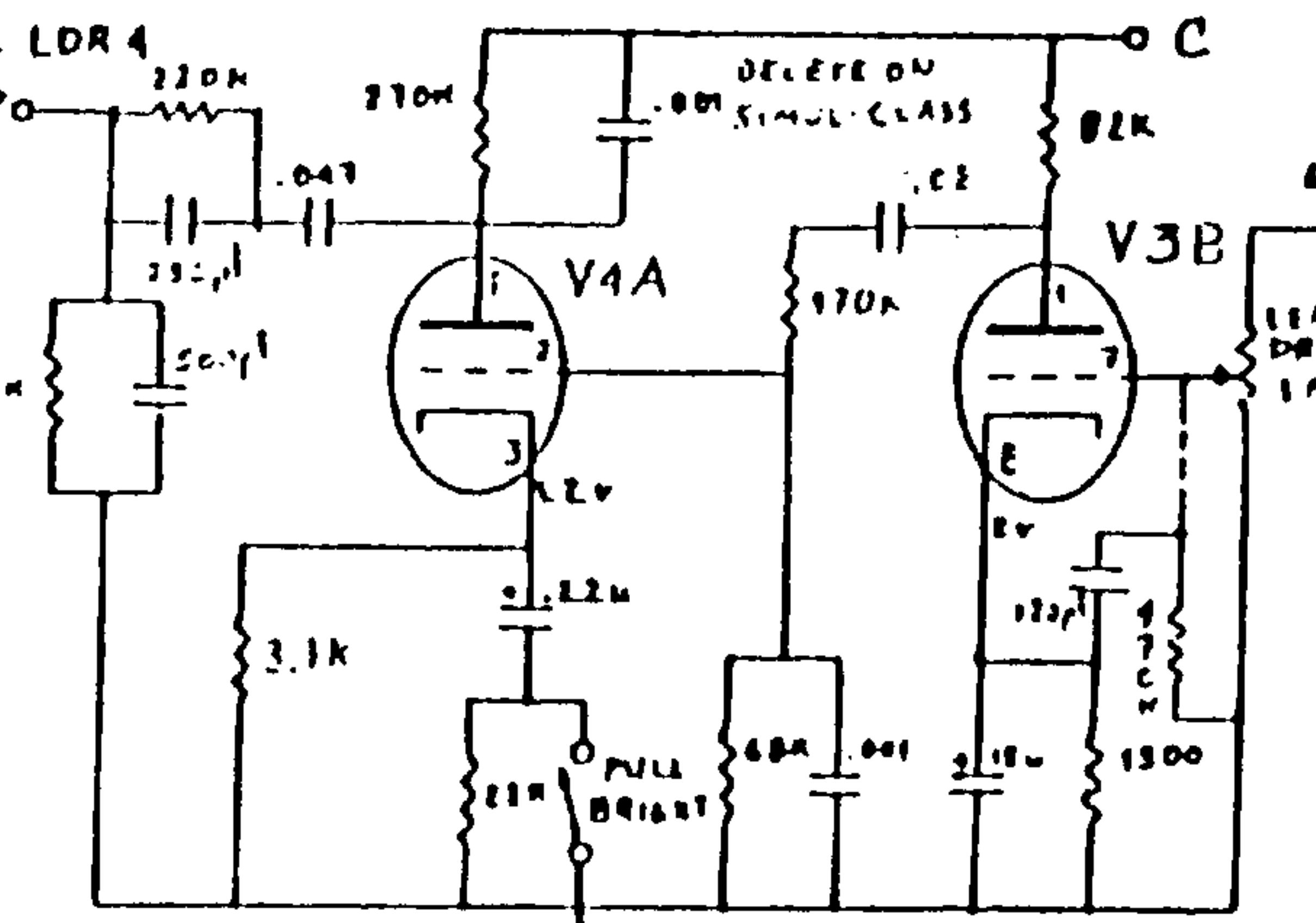
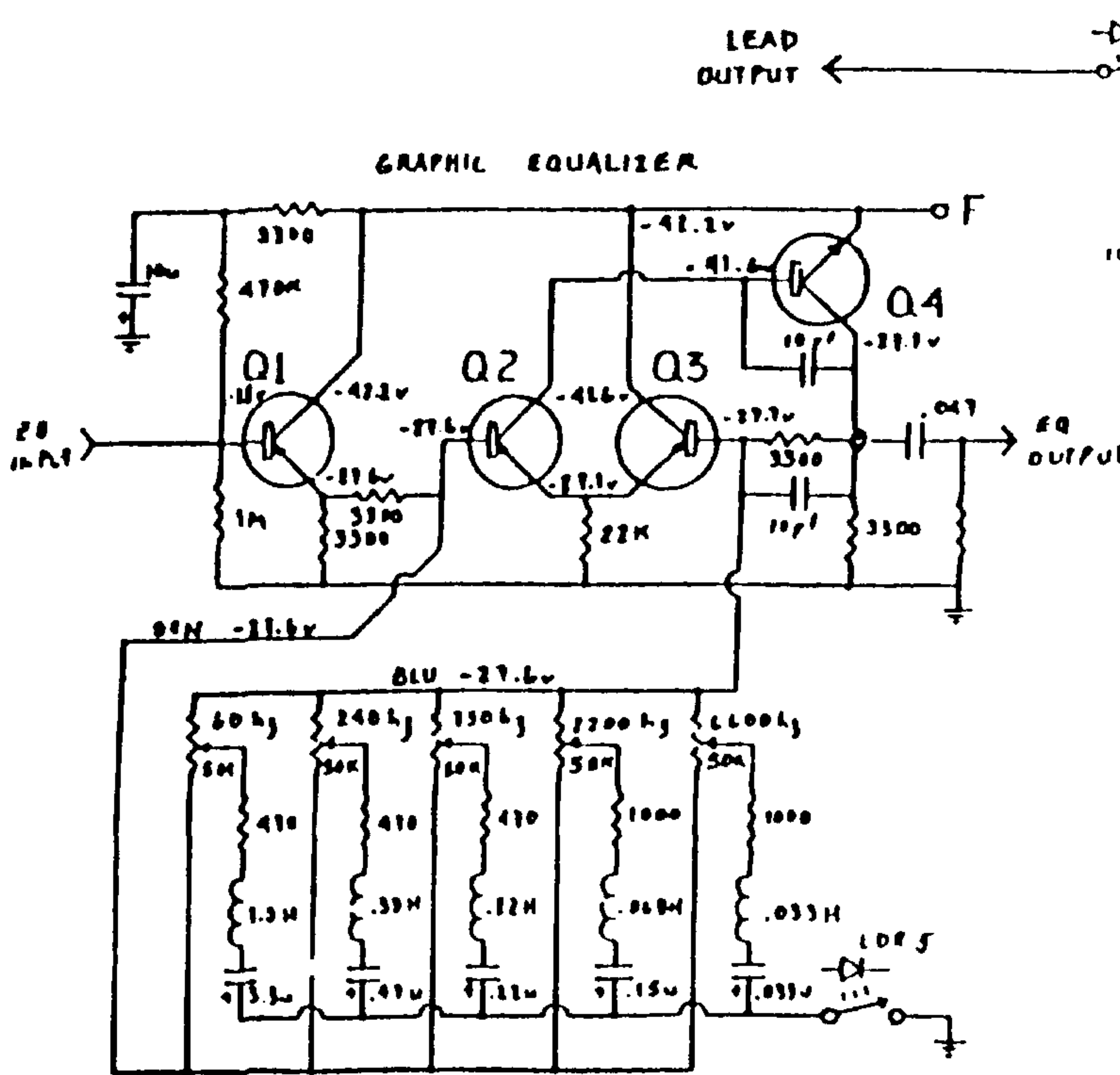
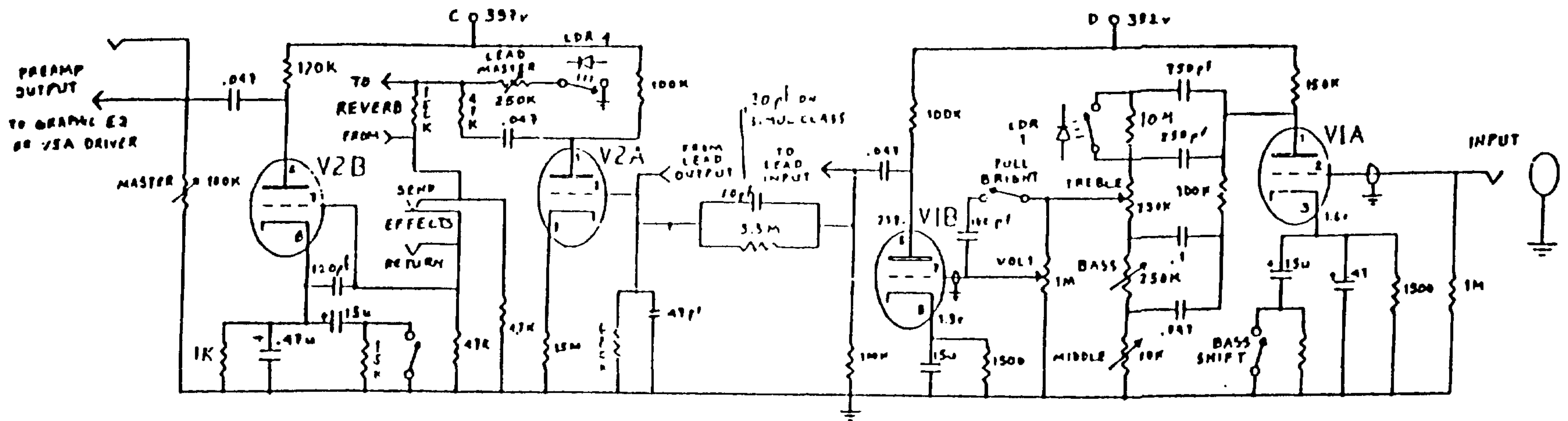


MESA/BOOGIE MARK IIC+ Guitar Preamplifier



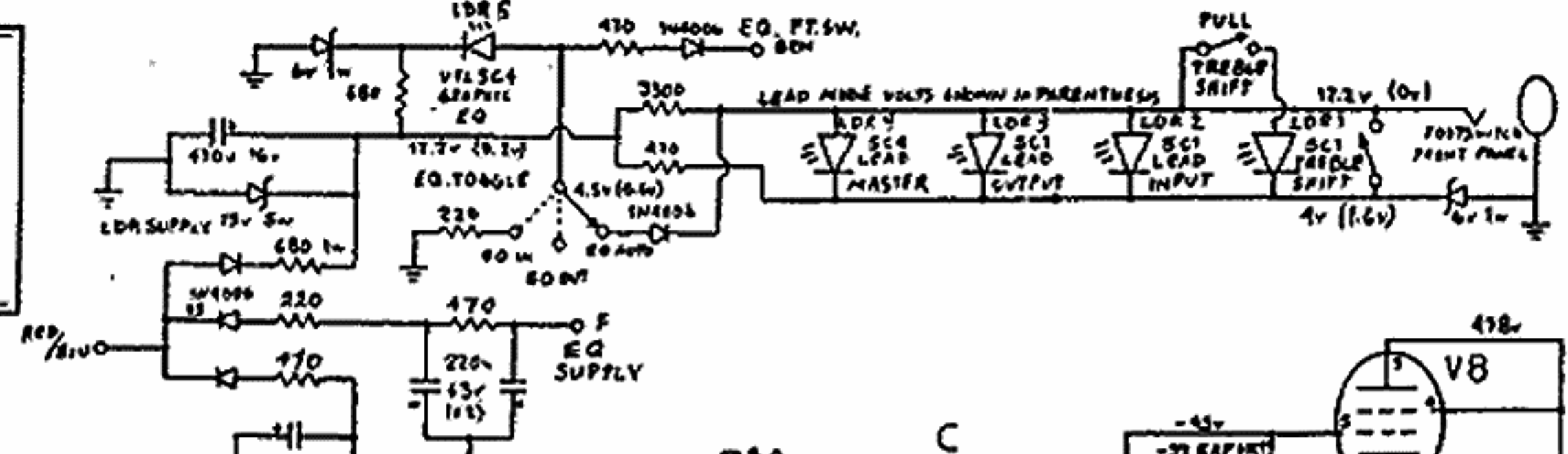
© 1988

NOTICE: INFRINGERS BEWARE!

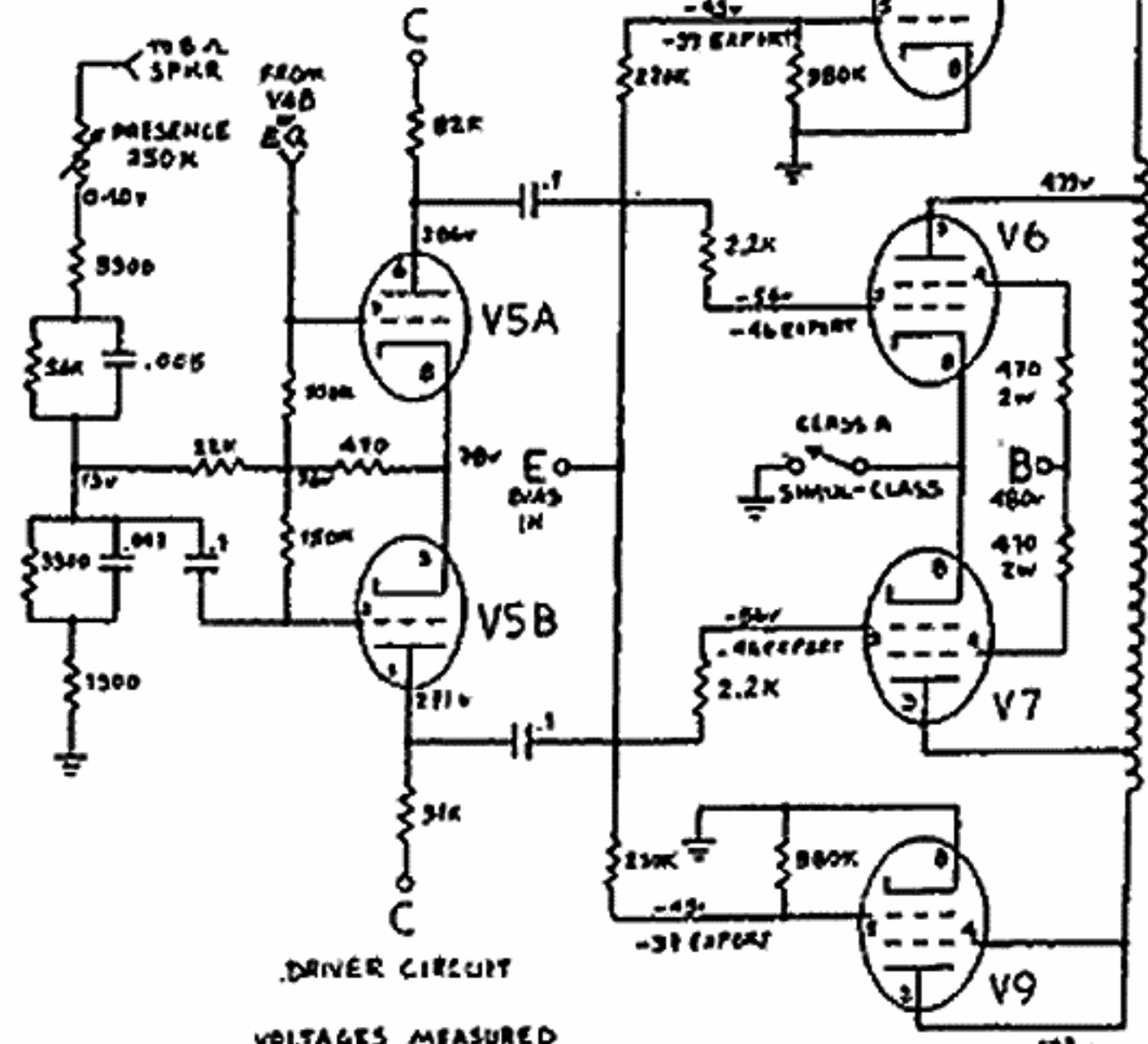
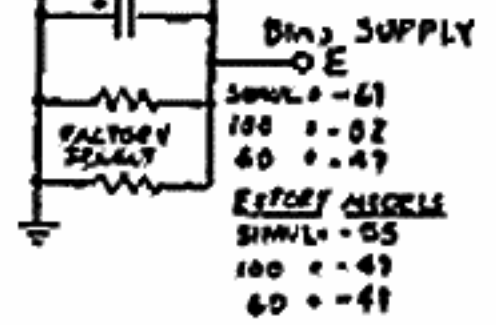
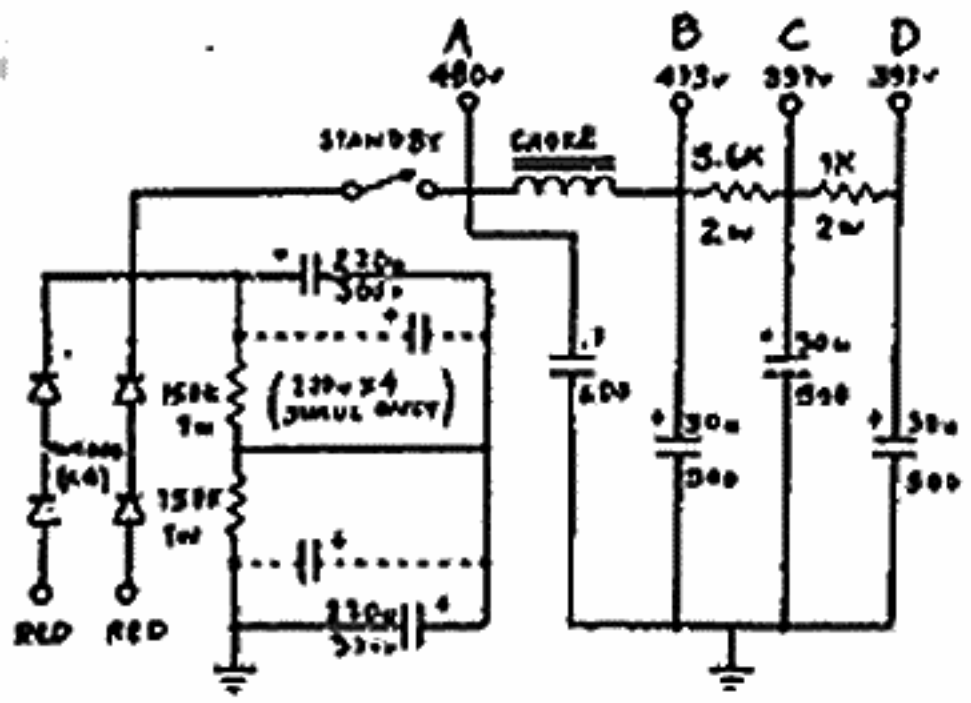
This design and circuit is protected under U.S. Patent 4,211,893 and others world-wide. It has been successfully prosecuted against infringers who have paid very large fines and/or been forced out of business!

MESA
ENGINEERING

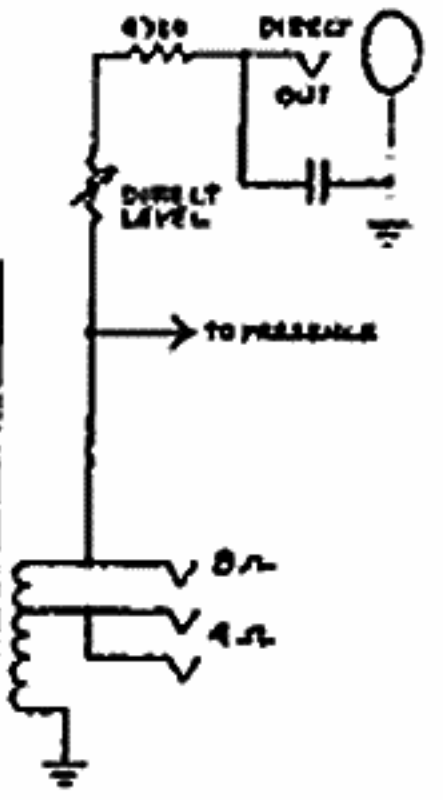
1317 ROSS STREET
PETALUMA, CALIFORNIA
(707) 738-6565



HIGH VOLTAGE SUPPLY



VOLTAGES MEASURED @ 117 A.C. MAIN
D.C. VOLTAGES MAY VARY ±20%



SIMUL-CLASSSM IS A REGISTERED TRADEMARK U.S. & WORLDWIDE.

SIMUL-CLASSSM POWER DESIGN MAY USE MESA TYPES STR 415 6L6 GC OR STR 416 6CA7/6X4 IN V8 & V9 SOCKETS

PATENTS ISSUED, PENDING AND APPLIED FOR, U.S. & WORLDWIDE FOR SIMUL-CLASS

REPORT PRIMARY

RED	H.V.	WHT = 100V
BLK/BLK	L.V.	BLK/BLK = 117V
RED/BLK	C.T.	BLK/BLK = 200V
RED	A.V.	BLK/WHT = 220V
		BLK/RED = 230V
		BLK = 240V
		BLACK = COMMON

