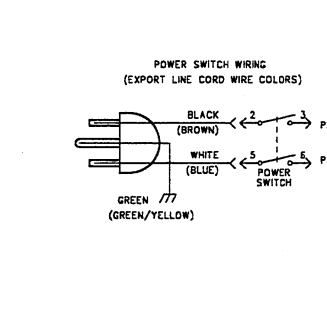
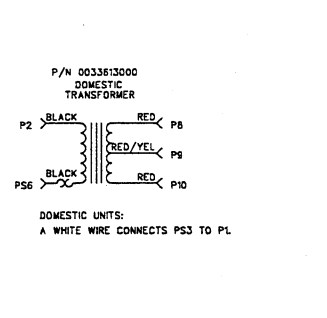
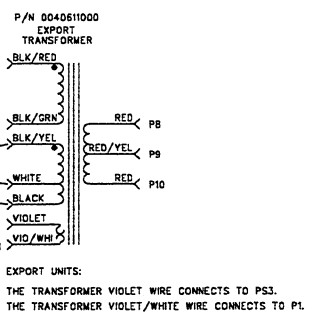
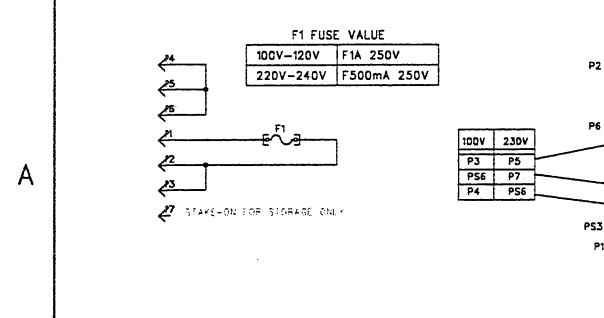
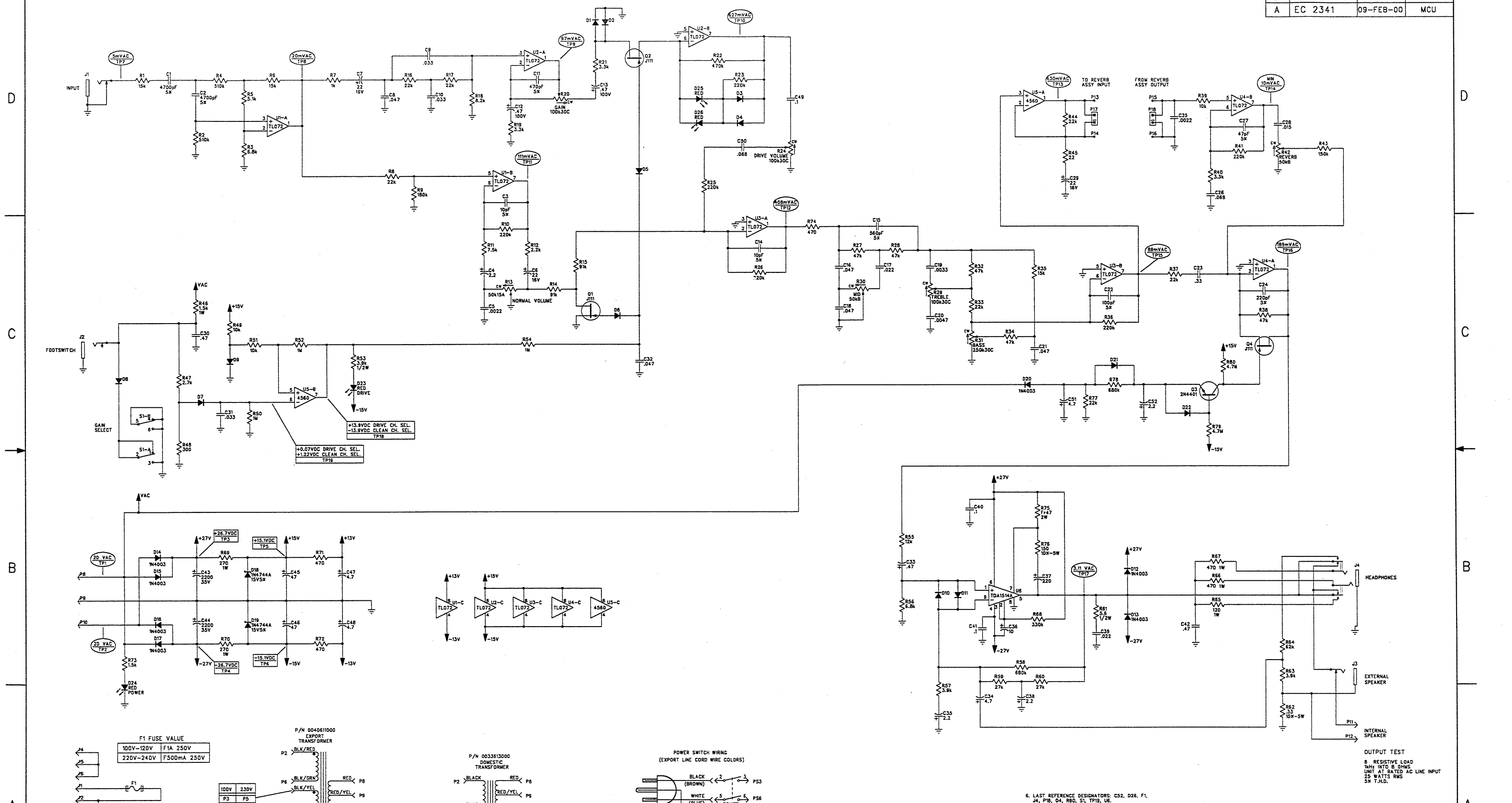


REVISIONS			
REV.	DESCRIPTION	DATE	APPROVED
A	EC 2341	09-FEB-00	MCU



- LAST REFERENCE DESIGNATORS: C52, D26, F1, J4, P18, C4, R60, S1, TP8, U8.
  - AC VOLTAGE READINGS TAKEN WITH DVM TO GROUND UNDER THE FOLLOWING CONDITIONS:  
1kHz INPUT APPLIED AT J1  
8Ω RESISTIVE LOAD CONNECTED AT P11, P12  
NO FOOTSWITCH  
SELECT "ON"  
GAIN AT 9 O'CLOCK  
REVERB "0"  
ALL OTHER CONTROLS SET AT 12 O'CLOCK  
REVERB PAN CONNECTED
  - DC VOLTAGES READ TO GROUND WITH A DVM, NO INPUT SIGNAL.
  - ALL POLARIZED CAPACITORS IN μF; 50V, 20X.  
ALL UNPOLARIZED CAPACITORS IN μF; 50V, 5X.  
ALL RESISTORS IN OHMS; 1/4W, 5X.
- NOTES: (UNLESS OTHERWISE NOTED)

THIS DOCUMENT CONTAINS INFORMATION OF A PROPRIETARY NATURE TO FENDER MUSICAL INSTRUMENTS AND IS SUBMITTED TO YOU IN CONFIDENCE AND SHALL NOT BE DISCLOSED OR TRANSMITTED TO OTHERS WITHOUT AUTHORIZATION FROM FENDER MUSICAL INSTRUMENTS.

**Fender** MUSICAL INSTRUMENTS  
2621 Research Drive  
Corona, CA 91720 USA

CHECKED BY: *[Signature]*  
DATE: 09-18-00

APPROVED BY: *[Signature]*  
DATE: 09-FEB-00

DATABASE FILE: Z356S.SCH

TITLE: SERVICE DIAGRAM, COMBINED (schematic) FRONTMAN 25R

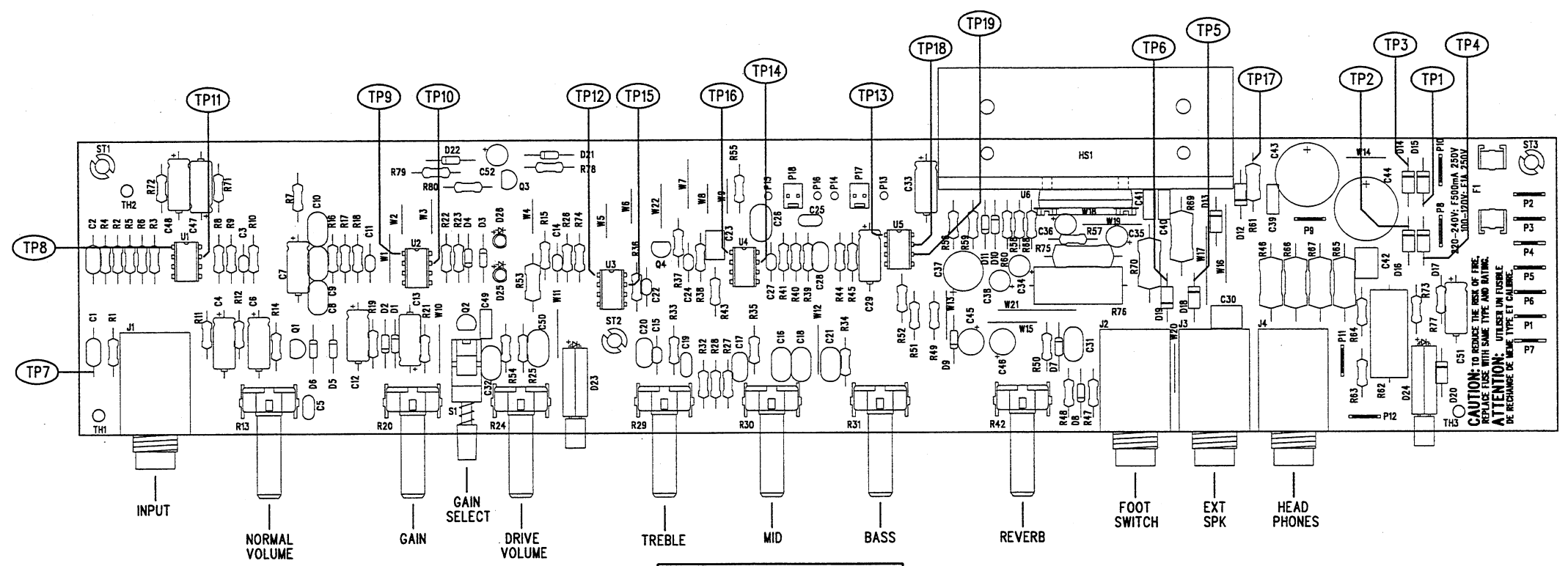
SIZE: DRAWING NUMBER  
D 0056322000

REV. A

RELEASE DATE: 09-FEB-00 SHEET: 1 OF 2


8 7 6 5 4 3 2 1

REVISIONS			
REV.	DESCRIPTION	DATE	APPROVED
A	EC 2341	09-FEB-00	MCU



FILM/DWG: SERVICE DIAGRAM  
 DATABASE: Z356P.PCB DATE: 09-FEB-00

1. SEE SHEET 1 FOR PRIMARY WIRING, SWITCH DETAIL, TEST CONDITIONS AND TEST POINT VALUES.  
 NOTES: (UNLESS OTHERWISE NOTED)

THIS DOCUMENT CONTAINS INFORMATION OF A PROPRIETARY NATURE TO FENDER MUSICAL INSTRUMENTS AND IS SUBMITTED TO YOU IN CONFIDENCE AND SHALL NOT BE DISCLOSED OR TRANSMITTED TO OTHERS WITHOUT AUTHORIZATION FROM FENDER MUSICAL INSTRUMENTS.		 <b>MUSICAL INSTRUMENTS</b> 2621 Research Drive Corona, CA 91720 USA	
CHECKED BY: <u>B. Dem</u>	DATE: <u>09-FEB-00</u>	TITLE: SERVICE DIAGRAM, COMBINED (PCB assy) FRONTMAN 25R	
APPROVED BY: <u>MULRICH</u>	DATE: <u>09-FEB-00</u>	SIZE: <b>C</b>	DRAWING NUMBER: <b>0056322000</b>
DRAWN: MULRICH	ENGR: MULRICH	RELEASE DATE: 09-FEB-00	SHEET 2 OF 2
DATABASE FILE: Z356P.PCB			REV. <b>A</b>

8 7 6 5 4 3 2 1