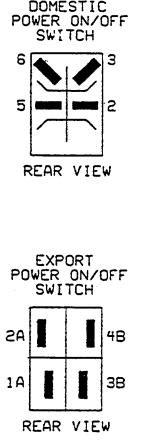
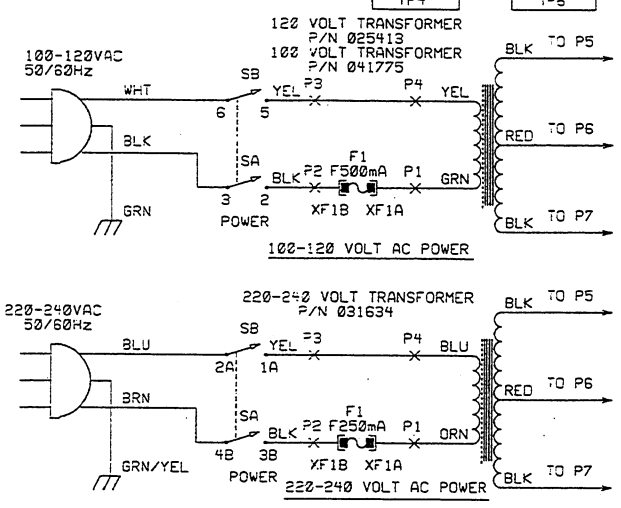
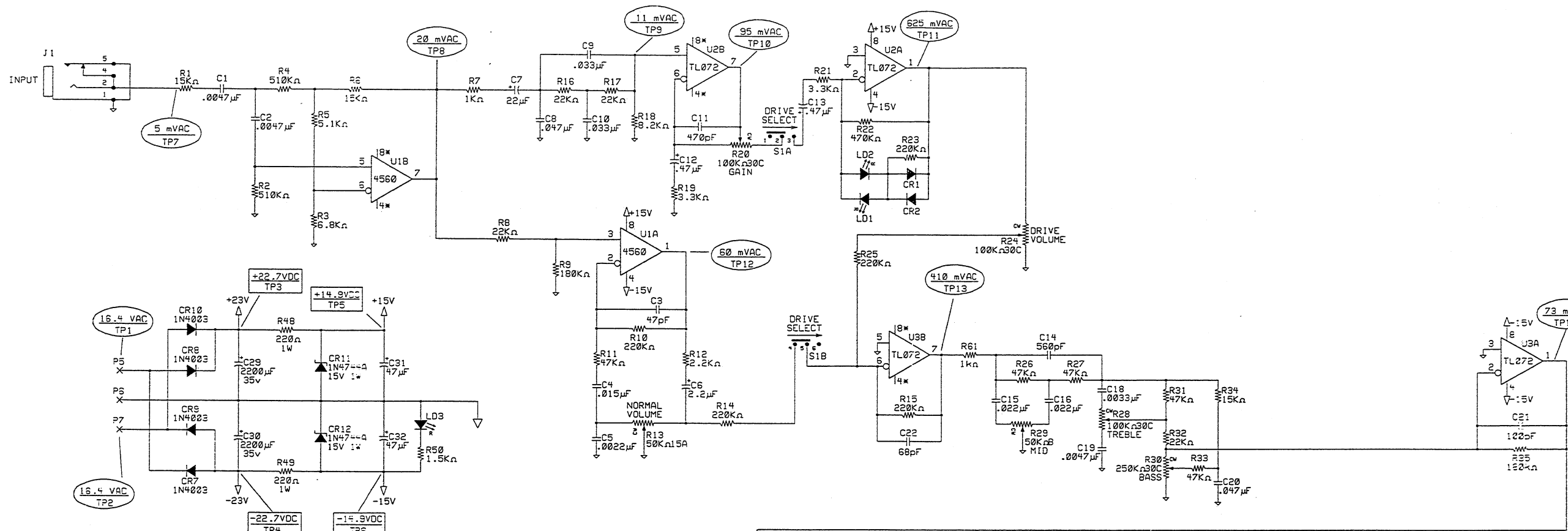
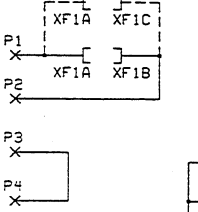


REVISIONS				
ZONE	REV.	DESCRIPTION	DATE	APPROVED
	A	RELEASED EC1914	02-MAY-97	MDW

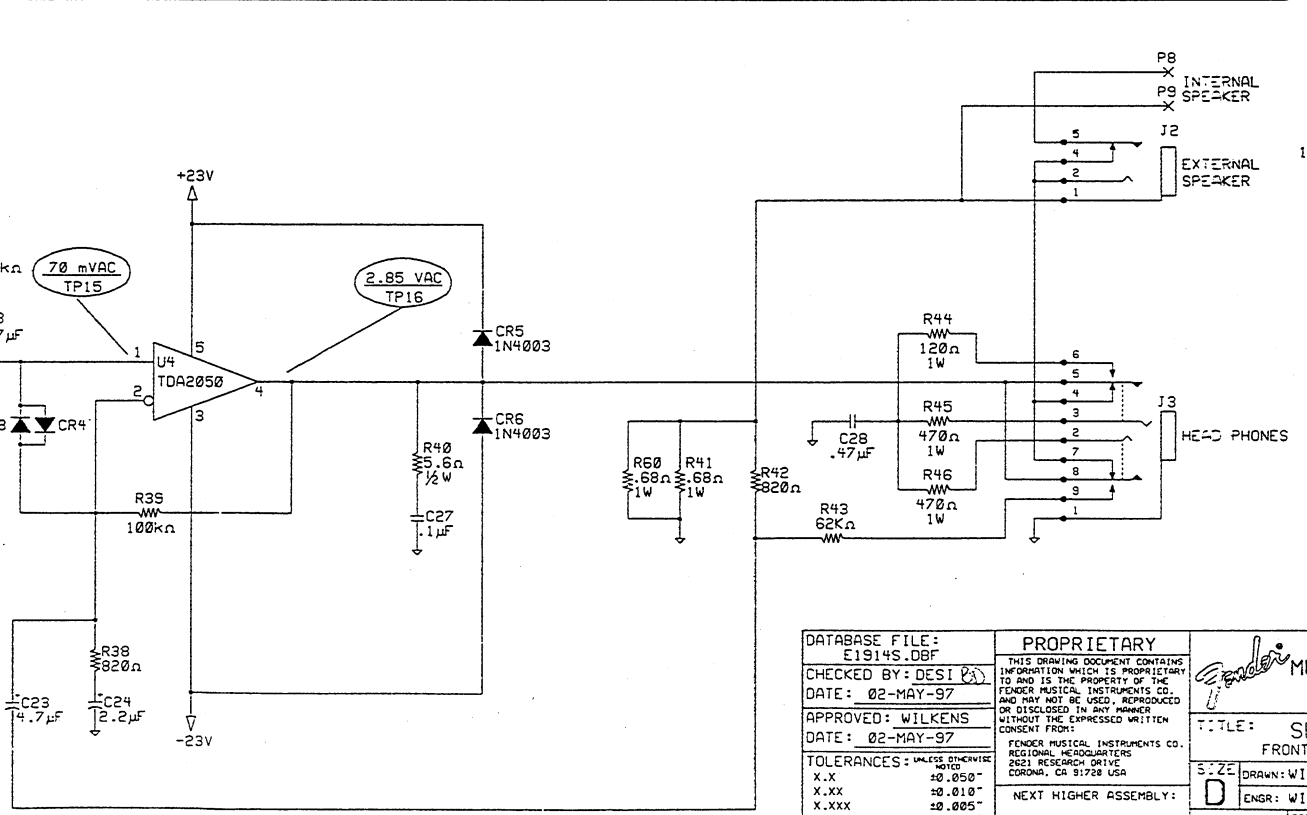


NOTE: XF1C NOT USED.



- NOTES: UNLESS OTHERWISE SPECIFIED.
1. ALL RESISTORS 1/4W, ± 5%.
  2. ALL CAPACITORS 50V MINIMUM.
  3. ALL DIODES 1N4448.
  4. DC VOLTAGES READ TO GROUND WITH A DVM. NO INPUT SIGNAL.
  5. AC VOLTAGE READINGS TAKEN WITH DVM TO GROUND UNDER THE FOLLOWING CONDITIONS:  
 1kHz INPUT APPLIED THROUGH 1/4" PLUG TO J1  
 8Ω RESISTIVE LOAD CONNECTED AT P8, P9  
 GAIN AT 9 O'CLOCK  
 ALL OTHER CONTROLS SET TO 12 O'CLOCK  
 FOR BULLET REVERB ONLY:  
 REVERB UNIT CONNECTED  
 REVERB AT "0"
  6. INSTANCES NOT USED: C17 C25 C26 C34-C38 CR13 P10 P11  
 R47 R51-R59 TP17 TP18 U5

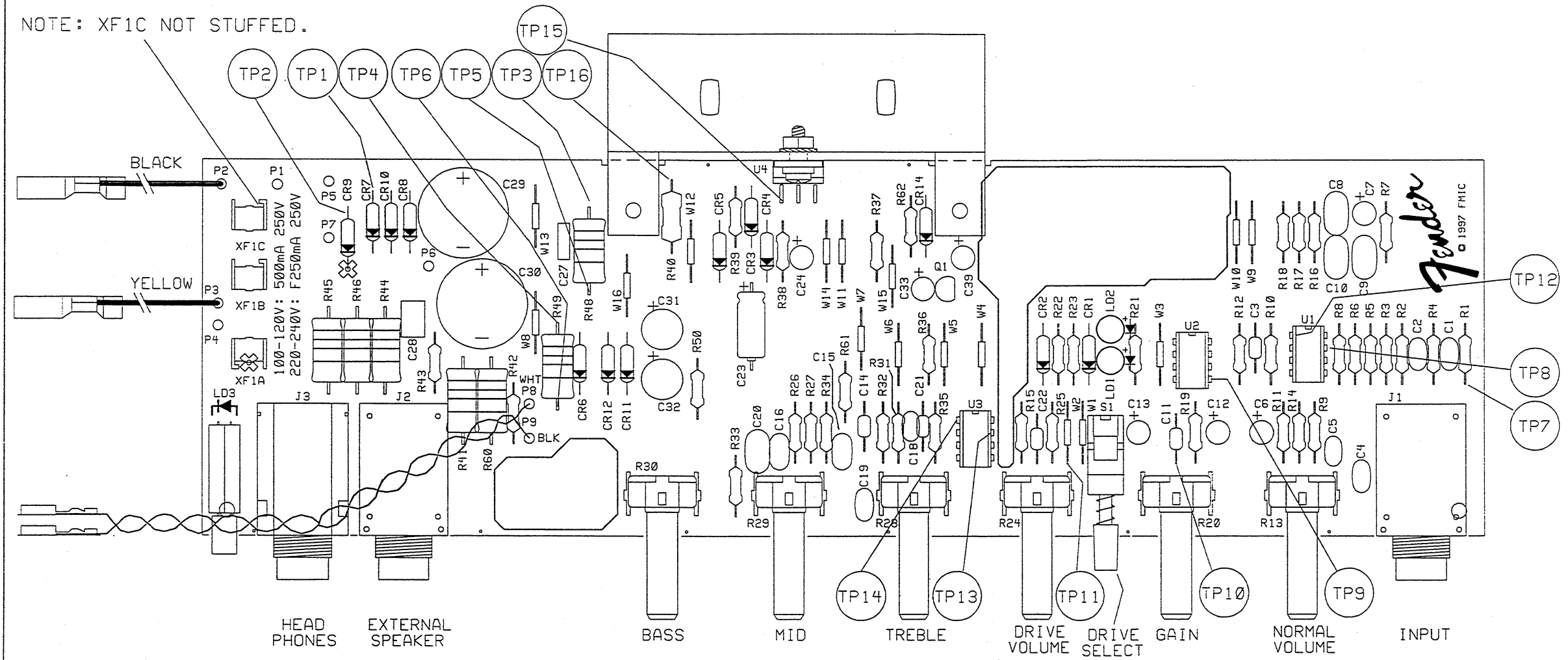
OUTPUT TEST:  
 1kHz INTO 8 OHMS  
 8Ω RESISTIVE LOAD  
 RATED LINE INPUT  
 15 WATTS RMS 5% T.H.D.



DATABASE FILE: E1914S.DBF CHECKED BY: DESI DATE: 02-MAY-97 APPROVED: WILKENS DATE: 02-MAY-97 TOLERANCES: UNLESS OTHERWISE SPECIFIED X.XX ±0.050" X.XX ±0.010" X.XXX ±0.005" ANGLES ±0.500°	<b>PROPRIETARY</b> THIS DRAWING DOCUMENT CONTAINS INFORMATION WHICH IS PROPRIETARY TO AND IS THE PROPERTY OF THE FENDER MUSICAL INSTRUMENTS CO. AND MAY NOT BE USED, REPRODUCED OR DISCLOSED IN ANY MANNER WITHOUT THE EXPRESSED WRITTEN CONSENT FROM: FENDER MUSICAL INSTRUMENTS CO. REGIONAL HEADQUARTERS 2621 RESEARCH DRIVE CORONA, CA 91720 USA NEXT HIGHER ASSEMBLY:	<b>Fender</b> MUSICAL INSTRUMENTS 2621 Research Drive Corona, CA 91720 USA TITLE: SERVICE DIAGRAM FRONTMAN 15G GUITAR AMPLIFIER DRAWN: WILKENS ENGR: WILKENS DRAWING NUMBER: 0051920000 REV: A CREATED: 25-APR-97 PLOTTED: 16-JUN-97 SCALE: N/A SHEET 1 OF 2
--------------------------------------------------------------------------------------------------------------------------------------------------------------------------------------------------------------------------	----------------------------------------------------------------------------------------------------------------------------------------------------------------------------------------------------------------------------------------------------------------------------------------------------------------------------------------------------------------------------------------------	--------------------------------------------------------------------------------------------------------------------------------------------------------------------------------------------------------------------------------------------------------------------------------------------------

REVISIONS				
ZONE	REV.	DESCRIPTION	DATE	APPROVED
	A	EC1914	02-MAY-97	MDW

NOTE: XF1C NOT STUFFED.



FILM/DWG: SERVICE DIAGRAM	
DATABASE: E1914P.DBF	DATE: 16-JUN-97
LAYERS PLOTTED: 1 2 3 4	10
	18

DATABASE FILE: E1914P.DBF
CHECKED BY: <i>Bles</i>
DATE: <i>6/16/97</i>
APPROVED: <i>MDW</i>
DATE: <i>6/16/97</i>
TOLERANCES: UNLESS OTHERWISE NOTED
X.X ±0.050"
X.XX ±0.010"
X.XXX ±0.005"
ANGLES ±0.500°

**PROPRIETARY**

THIS DRAWING DOCUMENT CONTAINS INFORMATION WHICH IS PROPRIETARY TO AND IS THE PROPERTY OF THE FENDER MUSICAL INSTRUMENTS CO. AND MAY NOT BE USED, REPRODUCED OR DISCLOSED IN ANY MANNER WITHOUT THE EXPRESSED WRITTEN CONSENT FROM:

FENDER MUSICAL INSTRUMENTS CO.  
REGIONAL HEADQUARTERS  
2621 RESEARCH DRIVE  
CORONA, CA 91720 USA

NEXT HIGHER ASSEMBLY:

**Fender** MUSICAL INSTRUMENTS  
2621 Research Drive  
Corona, CA 91720 USA

TITLE: SERVICE DIAGRAM  
FRONTMAN 15G AMPLIFIER

SIZE	DRAWN: WILKENS	DRAWING NUMBER	REV.
<b>B</b>	ENGR: WILKENS	0051920000	A

SCALE: N/A

CREATED: 25-APR-97	SHEET 2 OF 2
PLOTTED: 16-JUN-97	