

ENGINEER'S NOTEBOOK II

A HANDBOOK OF INTEGRATED CIRCUIT APPLICATIONS

BY

FORREST M. MIMS, III

CONTRIBUTING EDITOR
POPULAR ELECTRONICS

FIRST EDITION

FIRST PRINTING--1982

COPYRIGHT © 1982 BY RADIO SHACK, A DIVISION OF TANDY
CORPORATION. ALL RIGHTS RESERVED. PRINTED IN THE
UNITED STATES OF AMERICA.

READ THIS...

This book is for the entertainment and edification of experimenters and hobbyists. While reasonable care has been exercised with regard to the accuracy of the information in this book, the author and publisher assume no responsibility for errors, omissions or suitability for any application. Neither do we assume any liability for any damages resulting from use of this information. It is your responsibility to determine if use, manufacture or sale of any device incorporating one or more circuits in this book infringes any patents, copyrights or other rights.

Due to the large volume of mail received by Radio Shack and the author, it is impossible to answer letters requesting custom circuit designs, technical advice, troubleshooting assistance, etc. But though we cannot acknowledge individual letters, we will nevertheless be delighted to review carefully your comments, impressions and suggestions about this book.

Thanks in advance to those of you who write. We appreciate your comments. But please remember we will be unable to give you a personal reply.

CONTENTS

READ THIS...	2
INTRODUCTION	5
HOW TO USE THIS BOOK	5
REVIEWING THE BASICS	6-9
I. DIGITAL INTEGRATED CIRCUITS	11
A. MOS/CMOS INTEGRATED CIRCUITS (INTRODUCTION)	12-13
GATE PACKAGES	14-23
RAMS (MEMORIES)	24-27
SEQUENTIAL LOGIC	28-38
B. TTL/LS INTEGRATED CIRCUITS (INTRODUCTION)	39
GATE PACKAGES	40-47
COMBINATIONAL LOGIC	48-51
SEQUENTIAL LOGIC	52-63
BYTE WIDE BUS BUFFERS AND LATCHES	64-68
II. LINEAR INTEGRATED CIRCUITS (INTRODUCTION)	69
VOLTAGE REGULATORS	70-76
OPERATIONAL AMPLIFIERS	77-87
LED FLASHER	88-89
LED DOT/BAR DRIVER	90-94
CLOCK MODULE	95
TIMERS	96-104
PHASE-LOCKED LOOPS	105-108
12-KEY TONE PAD	109
VOLTAGE AND DATA CONVERSION	110-116
AUDIO AMPLIFIERS	117-119
SOUND EFFECT CHIPS	120-125
OPTOISOLATORS	126-128

INTEGRATED CIRCUIT INDEX

TTL/LS		CMOS/MOS		LINEAR	
DEVICE	PAGE	DEVICE	PAGE	DEVICE	PAGE
7400/74LS00	40-42	4001	16	555	96-99
7402/74LS02	45	4011	14-15	556	100-101
7404/74LS04	46	4013	28	558	102-103
7408/74LS08	43	4017	32-33	565	105
74LS32	44	4027	29	566	112
7447	48	4042	30	567	106-108
7448	49	4049	20	741C	77-80
7473	54	4050	21	1458	81
7474/74LS74	53	4066	22-23	3909	88-89
7475/74LS75	56	4070	18-19	7555	104
7476	55	4081	17	7805	70
7490/74LS90	58	4511	36	7812	70
7492	59	4528	31	7815	70
74LS123	52	4553	34-35	7905	71
74LS138	50	2102L	24-25	9400	110-111
74154	51	2114L	26-27	DAC801	114-115
74LS161	61	CEX-1200	109	LF353N	82
74LS164	63	MC14553	34-35	LM317T	72
74LS175	57	MM5369	37	LM324N	84
74192	60	MM5837	38	LM334	116
74193/74LS193	62	PCIM-161	95	LM337T	73
74LS240	64			LM339	86-87
74LS244	65			LM350T	76
74LS245	68			LM377	119
74LS367	47			LM383	118
74LS373	66			LM386	117
74LS374	67			LM723	74
				LM1877	119
				LM3900N	85
				LM3914N	90-92
				MOC 3010	127
				MOC 5010	128
				NSM 3916	94
				SAD 1024	124-125
				SCS11C3	127
				SN76477	120-121
				SN76488	122-123
				TDA2002	183
				TIL 111	126
				TIL 119	126
				TL084C	83
				TL431	75
				TL507C	113

NOTE: TTL and LS chips are generally interchangeable. LS chips consume less power than TTL equivalents. Use LS chips, when possible, for battery powered circuits.

NOTE: The CEX-1200 12-Key Tone Module and the PCIM-161 LCD Clock Module are located in the Linear section although both incorporate CMOS/MOS circuitry.

NOTE: Many of these chips are best categorized as analog. Linear is the popular term.

INTRODUCTION

Since the original Engineer's Notebook was published in 1979, Radio Shack has made many changes in its line of integrated circuits. Engineer's Notebook II reflects these changes with the addition of 22 new chips and modules and some 84 new circuits. Chips no longer sold by Radio Shack have been deleted.

Dave Wolf, Radio Shack's parts buyer, and Dave Gunzel, Radio Shack's publications director, have invested many hours reviewing draft versions of the new circuits. I'm appreciative of their many helpful suggestions and the freedom they have allowed me in the selection of circuits.

Speaking of circuits, unless otherwise acknowledged, the circuits in this notebook were designed by me specifically for this publication or were adapted from these sources:

1. Applications information published by the manufacturers of the various integrated circuits.
2. My engineering notebooks.
3. "Experimenter's Corner" and "Project of the Month," two columns I write each month for Popular Electronics magazine.

Thanks to Radio Shack's solderless breadboards, you can assemble most of the circuits very quickly. I hope you have as much fun experimenting with them as I have!

Forest M. Mims, III

HOW TO USE THIS BOOK

To squeeze the maximum number of circuits into this notebook, only essential information is provided. Therefore you will want to use this notebook in conjunction with Radio Shack's "Semiconductor Reference Handbook" and other data books.

For a quickie review of important components and construction tips, read the next few pages. The remainder of the notebook is divided into two major sections: digital and linear. The digital section is further divided into two major IC families: MOS/CMOS and TTL/LS. The chips in each section are organized according to function, not numerical sequence.

Though most circuits in this book can function on their own,

consider them as building blocks you can connect to other circuits to accomplish new applications. Experiment! Change resistors and capacitors in RC circuits to alter frequencies and timing. Add new functions. Above all, work with as many different chips as you can! If you've always used TTL, you'll be impressed with the operating flexibility of CMOS. If your forte is digital logic, you'll be amazed at what you can do with an op-amp. Finally, keep a record of your experiments and circuit designs. A notebook with a grid ruling like this one is best, but a 50¢ spiral notebook is OK.

For beginners only....Be sure to read the next few pages! Begin with simple chips (gate packages, timers, op-amps, etc.), and you'll soon be ready for more advanced circuits and projects. Have fun!

REVIEWING THE BASICS

INTRODUCTION

"Can I use a 0.22 uF capacitor instead of a 0.10 uF unit?"

"Is it OK to substitute a 12,000 ohm resistor for a 10,000 ohm unit?"

This section will tackle these common questions and many others. Master them, and you will be well prepared to tackle the circuits in this book!

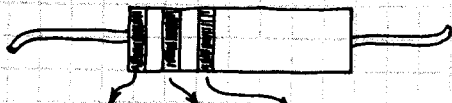
RESISTORS

Resistors limit the flow of electrical current. A resistor has a resistance (R) of 1 ohm if a current (I) of 1 ampere flows through it when a potential difference (E) of 1 volt is placed across it. In other words:

$$R = \frac{E}{I} \text{ (or) } I = \frac{E}{R} \text{ (or) } E = IR$$

These handy formulas form Ohm's law. Memorize them! You'll use them often.

Resistors are identified by a color code:



COLOR	1	2	3 (Multiplier)
BLACK	0	0	1
BROWN	1	1	10
RED	2	2	100
ORANGE	3	3	1000
YELLOW	4	4	10,000
GREEN	5	5	100,000
BLUE	6	6	1,000,000
VIOLET	7	7	10,000,000
GRAY	8	8	100,000,000
WHITE	9	9	(none)

A fourth color band may be present. It specifies the tolerance of the resistor. Gold is $\pm 5\%$ and silver is $\pm 10\%$. No fourth band means $\pm 20\%$.

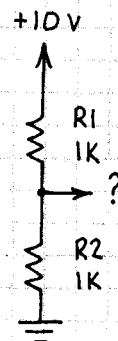
Since no resistor has a perfect tolerance, it's often OK to substitute resistors. For example, it's almost always OK to use a 1.8K resistor in place of a 2.0K unit. Just try to stay within 10-20% of the specified value.

What does K mean? It's short for 1,000. 20K means 20 x 1,000 or 20,000 ohms. M is short for megohm or 1,000,000 ohms. Therefore a 2.2M resistor has a resistance of 2,200,000 ohms.

Resistors which resist lots of current must be able to dissipate the heat that's produced. Always use resistors with the specified power rating! No power rating specified? Then it's usually OK to use 1/4 or 1/2 watt units.

Almost every electronic circuit uses resistors. Here are three of the most important applications for resistors:

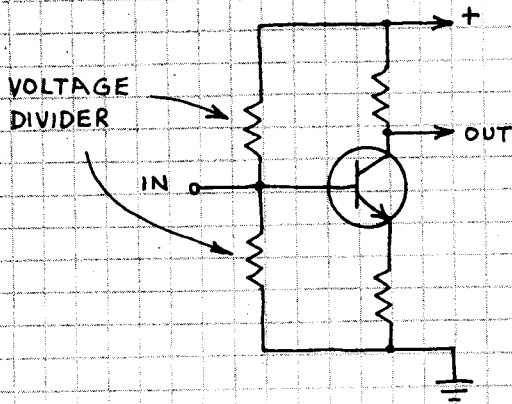
1. Limit current to LEDs, transistors, speakers, etc.
2. Voltage division. For instance:



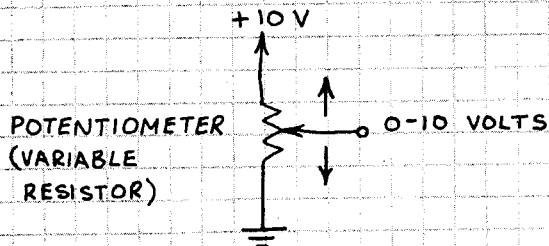
The voltage at ? is $I \times R_2$. I means the current through R_1 and R_2 . So $I = 10 / (R_1 + R_2)$ or 0.005 amperes. Therefore, $? = (0.005) \times (1000)$ or 5 volts.

Note that the total resistance of R_1 and R_2 is simply $R_1 + R_2$. This rule provides a handy trick for making custom resistances.

Voltage dividers are used to bias transistors:



They're also a convenient source of variable voltage:



And they're useful in voltage sensing circuits. See the comparator circuits in this notebook.

3. They control the charging time of capacitors. Read on...

CAPACITORS

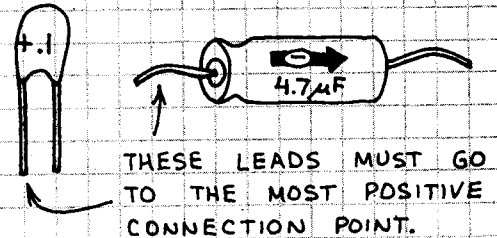
Capacitors store electrical energy and block the flow of direct current while passing alternating current. Capacitance is specified in farads. One farad represents a huge capacitance so most capacitors have values of small fractions of a farad:

1 microfarad (μF) = 10^{-6} farad
 1 picofarad (pF) = 10^{-12} farad
 or
 1 μF = 1,000,000 pF

The value of a capacitor is usually printed on the component. The μF and pF designations may not be present. Small ones marked 1-1000 are rated in pF; larger ones

marked .001-1000 are rated in μF .

Electrolytic capacitors provide high capacity in a small space. Their leads are polarized and must be connected into a circuit in the proper direction.

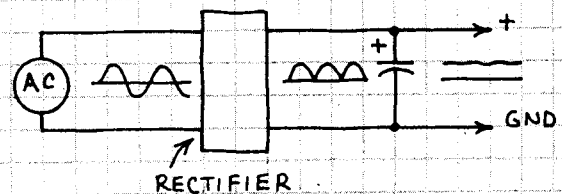


Capacitors have a voltage rating. It's usually printed under the capacity marking. The voltage rating must be higher than the highest expected voltage (usually the power supply voltage).

Caution: A capacitor can store a charge for a considerable time after power is removed. This charge can be dangerous! A large electrolytic capacitor charged to only 5 or 10 volts can melt the tip of a screwdriver placed across its leads! High voltage capacitors can store a lethal charge! Discharge a capacitor by carefully placing a resistor (1K or more; use Ohm's law) across its leads. Use only one hand to prevent touching both leads of the capacitor.

Important capacitor applications:

1. Remove power supply spikes. (Place 0.01-0.1 μF across power supply pins of digital ICs. Stops false triggering.)
2. Smooth rectified AC voltage into steady DC voltage. (Place 100-10,000 μF across rectifier output.)

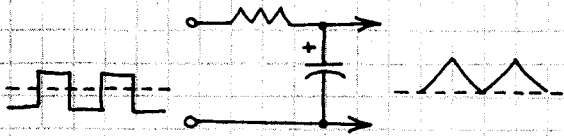


3. Block DC signal while passing AC signal.

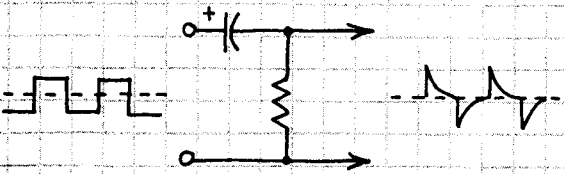
4. Bypass AC signal around a circuit or to ground.

5. Filter out unwanted portions of a fluctuating signal.

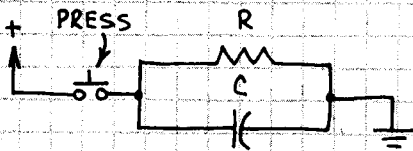
6. Use with resistor to integrate a fluctuating signal:



7. Or to differentiate a fluctuating signal:



8. Perform a timing function:



C will quickly charge...then slowly discharge through R.

9. Store a charge to keep a transistor turned off or on.

10. Store a charge to be dumped through a flashtube or LED in a fast and powerful pulse.

Can you substitute capacitors?

In most cases changing the value of a capacitor 10% or even 100% will not cause a malfunction,

but circuit operation may be affected. In a timing circuit, for example, increasing the value of the timing capacitor will increase the timing period.

Changing the capacitors in a filter will change the filter's frequency response. Be sure to use the proper voltage rating.

And don't worry about the difference between 0.47 and 0.5 uF.

SEMICONDUCTORS

Usually made from silicon. Be sure to observe all operating restrictions. Brief descriptions of important semiconductor devices:

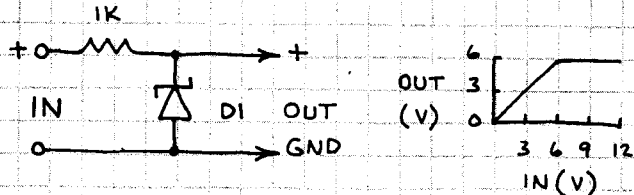
DIODES

Permit current to flow in but one direction (forward bias). Used to rectify AC, allow current to flow into a circuit but block its return, etc.



ZENER DIODES

The zener diode is a voltage regulator. In this typical circuit, voltage exceeding the diode's breakdown voltage is shunted to ground:



DI = 6 VOLT ZENER DIODE

Zeners can also protect voltage sensitive components and provide a convenient reference voltage.

LIGHT EMITTING DIODES

LEDs emit green, yellow, red or infrared when forward biased. A series resistor should be used to limit current to less than the maximum allowed:



$$R_s = \frac{V_{CC} - V_{LED}}{LED_I}$$

Example: V_{LED} of red LED is 1.7 volts. For a forward current (LED_I) of 20 mA at $V_{CC} = 5$ volts, $R = 330$ ohms. Don't exceed LED_I !!

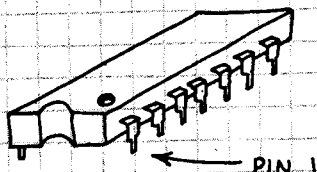
Infrared LEDs are much more powerful than visible LEDs, but their radiation is totally invisible. Use them for object detectors and communicators.

TRANSISTORS

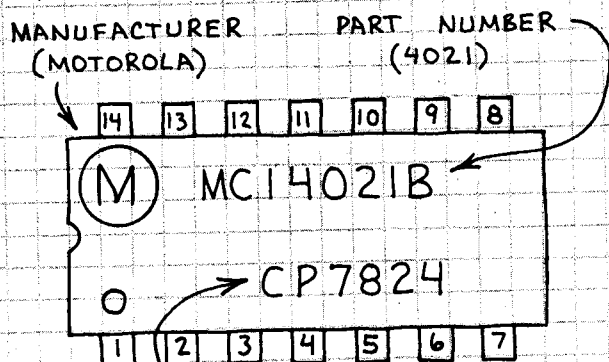
In this notebook, transistors are used as simple amplifiers and switches that turn on LEDs. Any general purpose switching transistors will work.

INTEGRATED CIRCUITS

Since an IC is a complete circuit on a silicon chip, you must observe all operating restrictions. Reversed polarity, excessive supply voltage and sourcing or sinking too much current can destroy an IC. Be sure to pay close attention to the location of the power supply pins! Most ICs are packaged in 8, 14 or 16 pin plastic DIPs (Dual In-line Packages). A notch or circle is near pin 1:



When the IC is right side up, pin 1 is at lower left:

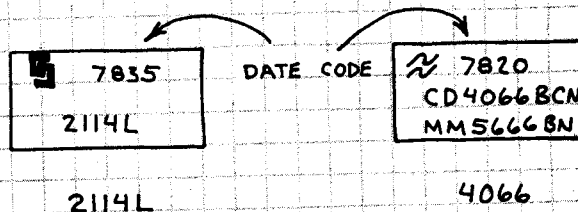


DATE CODE:

78 = 1978

24 = 24th WEEK

Incidentally, a date code may not be present, but other numbers may be...and the date code is not always below the device number:



Store ICs in a plastic cabinet if you can afford one. Or insert them in rows in a styrofoam tray (the kind used for meat in a grocery store). CAUTION: Never store MOS/CMOS ICs in ordinary non-conductive plastic. See p. 12.

CIRCUIT BUILDING

Build your circuits on a solderless breadboard to make changes and find bugs. Then make permanent versions. Radio Shack plastic modular sockets (276-173, etc.) are ideal. They include two socket rows for power supply connections and snap rails for attaching sockets together. Parts and wires can be inserted directly into the holes in the socket.

For permanent circuits, use Radio Shack PC boards. Catalog numbers 276-024 and 276-151 are ideal for simple IC projects. Use larger universal PC boards for more complex projects (276-152 & 276-157). You can cut them into smaller sections with a nibbler tool or small saw.

I prefer to use wrapping wire for IC projects. Insert wrapping sockets in board and make connections with a Wire-Wrapping tool (such as 276-1570). Apply wrapping wire directly to leads of transistors, resistors, etc. and solder in place.

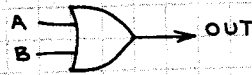


NOTES

DIGITAL INTEGRATED CIRCUITS

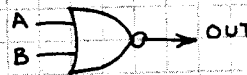
INTRODUCTION

DIGITAL ICs ARE 2-STATE DEVICES. ONE STATE IS NEAR 0 VOLTS OR GROUND (LOW OR L) AND THE OTHER IS NEAR THE IC'S SUPPLY VOLTAGE (HIGH OR H). SUBSTITUTE 0 FOR L AND 1 FOR H AND DIGITAL ICs CAN PROCESS INDIVIDUAL BINARY DIGITS (BITS) OR MULTIPLE BIT WORDS. A 4-BIT WORD IS A NIBBLE AND AN 8-BIT WORD IS A BYTE.



OR

A	B	OUT
L	L	L
L	H	H
H	L	H
H	H	H



NOR

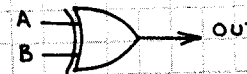
A	B	OUT
L	L	H
L	H	L
H	L	L
H	H	L

THE BINARY SYSTEM

IT'S VERY HELPFUL TO KNOW THE FIRST 16 BINARY NUMBERS. IF 0=L AND 1=H, THEY ARE:

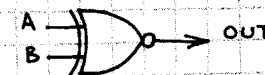
- | | |
|-------------|--------------|
| 0 - L L L L | 8 - H L L L |
| 1 - L L L H | 9 - H L L H |
| 2 - L L H L | 10 - H L H L |
| 3 - L L H H | 11 - H L H H |
| 4 - L H L L | 12 - H H L L |
| 5 - L H L H | 13 - H H L H |
| 6 - L H H L | 14 - H H H L |
| 7 - L H H H | 15 - H H H H |

NOTE THAT L L L L (0) IS AS MUCH A NUMBER AS ANY OTHER NUMBER.



EXCLUSIVE-OR

A	B	OUT
L	L	L
L	H	H
H	L	H
H	H	L

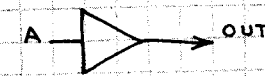


EXCLUSIVE-NOR

A	B	OUT
L	L	H
L	H	L
H	L	L
H	H	H

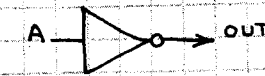
LOGIC GATES

LOGIC CIRCUITS ARE MADE BY INTERCONNECTING TWO OR MORE OF THESE BASIC LOGIC GATES:



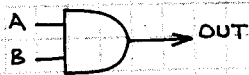
YES (BUFFER)

A	OUT
L	L
H	H



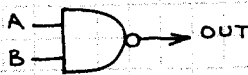
NOT (INVERTER)

A	OUT
L	H
H	L



AND

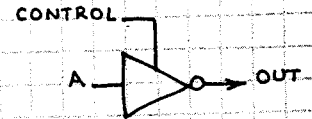
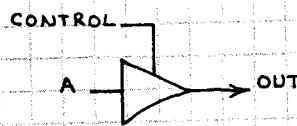
A	B	OUT
L	L	L
L	H	L
H	L	L
H	H	H



NAND

A	B	OUT
L	L	H
L	H	H
H	L	H
H	H	L

3-STATE LOGIC



CONTROL	A	OUT
L	L	L
L	H	H
H	X	HI-Z

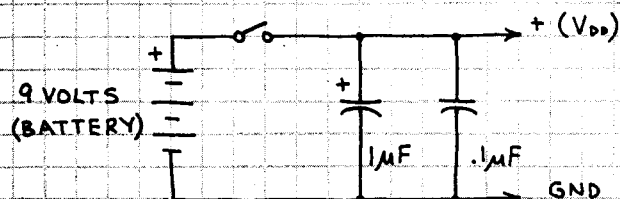
CONTROL	A	OUT
L	L	H
L	H	L
H	X	HI-Z

HI-Z: OUTPUT IN HIGH IMPEDANCE STATE.

MOS/CMOS INTEGRATED CIRCUITS

INTRODUCTION

MOS ICs CAN CONTAIN MORE FUNCTIONS PER CHIP THAN TTL/LS AND ARE VERY EASY TO USE. MOST CHIPS IN THIS SECTION ARE CMOS (COMPLEMENTARY MOS). THEY CONSUME VERY LITTLE POWER AND OPERATE OVER A +3-15 VOLT RANGE. CMOS CAN BE POWERED BY THIS:



OR YOU CAN USE A LINE POWERED SUPPLY MADE FROM A 7805/7812/7815. SEE THE LINEAR SECTION.

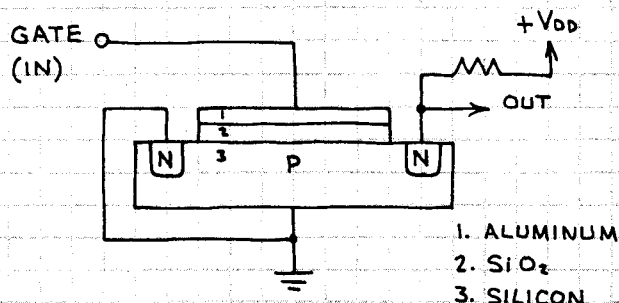
INCIDENTALLY, YOU CAN POWER A CMOS CIRCUIT FROM TWO SERIES CONNECTED PENLIGHT CELLS, BUT A 9-12 VOLT SUPPLY WILL GIVE BETTER PERFORMANCE.

OPERATING REQUIREMENTS

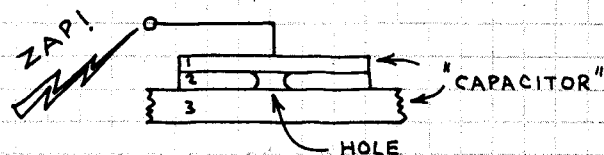
1. THE INPUT VOLTAGE SHOULD NOT EXCEED V_{DD} ! (TWO EXCEPTIONS: THE 4049 AND 4050.)
2. AVOID, IF POSSIBLE, SLOWLY RISING AND FALLING INPUT SIGNALS SINCE THEY CAN CAUSE EXCESSIVE POWER CONSUMPTION. RISE TIMES FASTER THAN 15 MICROSECONDS ARE BEST.
3. ALL UNUSED INPUTS MUST BE CONNECTED TO V_{DD} (+) OR V_{SS} (GND). OTHERWISE ERRATIC CHIP BEHAVIOR AND EXCESSIVE CURRENT CONSUMPTION WILL OCCUR.
4. NEVER CONNECT AN INPUT SIGNAL TO A CMOS CIRCUIT WHEN THE POWER IS OFF.
5. OBSERVE HANDLING PRECAUTIONS.

HANDLING PRECAUTIONS

A CMOS CHIP IS MADE FROM PMOS AND NMOS TRANSISTORS. MOS MEANS METAL-OXIDE-SILICON (OR SEMICONDUCTOR). P AND N REFER TO POSITIVE AND NEGATIVE CHANNEL MOS TRANSISTORS. AN NMOS TRANSISTOR LOOKS LIKE THIS:



A PMOS TRANSISTOR IS IDENTICAL EXCEPT THE P AND N REGIONS ARE EXCHANGED. THE SiO_2 (SILICON DIOXIDE) LAYER IS A GLASSY FILM THAT SEPARATES AND INSULATES THE METAL GATE FROM THE SILICON SUBSTRATE. THIS FILM IS WHY A MOS TRANSISTOR OR IC PLACES PRACTICALLY NO LOAD ON THE SOURCE OF AN INPUT SIGNAL. THE FILM IS VERY THIN AND IS THEREFORE EASILY PUNCTURED BY STATIC ELECTRICITY:

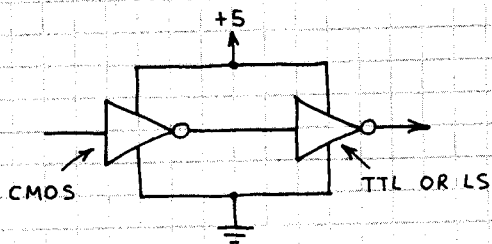
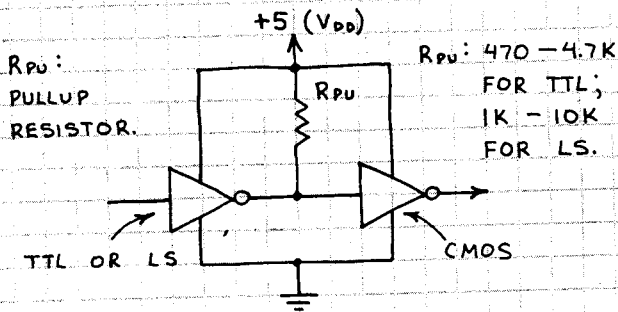


PREVENT STATIC DISCHARGE!

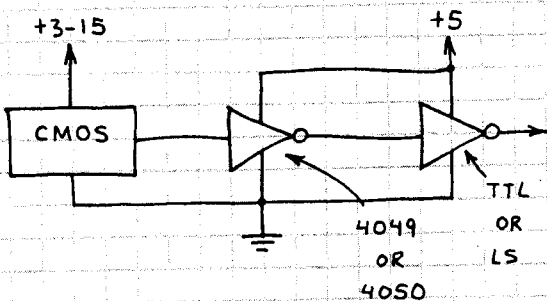
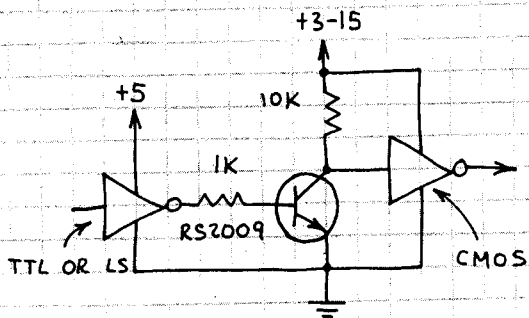
1. NEVER STORE MOS ICs IN NONCONDUCTIVE PLASTIC "SNOW," TRAYS, BAGS OR FOAM.
2. PLACE MOS ICs PINS DOWN ON AN ALUMINUM FOIL SHEET OR TRAY WHEN THEY ARE NOT IN A CIRCUIT OR STORED IN CONDUCTIVE FOAM.
3. USE A BATTERY POWERED IRON TO SOLDER MOS CHIPS. DO NOT USE AN AC POWERED IRON.

INTERFACING CMOS

1. IF SUPPLY VOLTAGES ARE EQUAL:

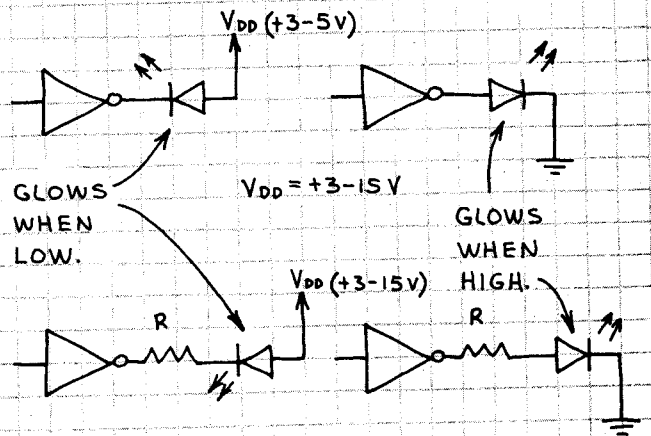


2. DIFFERENT SUPPLY VOLTAGES:



NOTE THAT CMOS MUST BE POWERED BY AT LEAST 5 VOLTS WHEN CMOS IS INTERFACED WITH TTL. OTHERWISE THE CMOS INPUT WILL EXCEED V_{DD} .

3. CMOS LED DRIVERS:

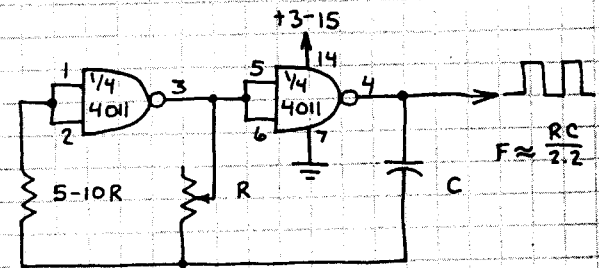


$$R = \frac{V_{DD} - 1.7}{.01} \quad (\text{FOR } 10 \text{ mA LED CURRENT})$$

USE 1000 OHMS FOR MOST APPLICATIONS.

CMOS LOGIC CLOCK

MANY CIRCUITS IN THIS SECTION REQUIRE A SOURCE OF PULSES. HERE'S A SIMPLE CMOS CLOCK:



TYPICAL VALUES: $R=100K$, $C=0.01-0.1 \mu F$

OK TO USE 4049... BUT MUCH MORE CURRENT WILL BE REQUIRED.

CMOS TROUBLESHOOTING

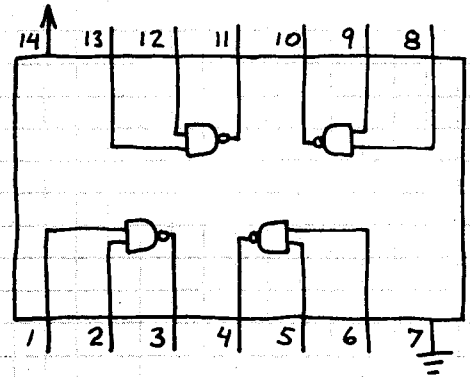
1. DO ALL INPUTS GO SOMEWHERE?
2. ARE ALL IC PINS INSERTED INTO THE BOARD OR SOCKET?
3. IS THE IC HOT? IF SO, SEE 1-2 ABOVE AND MAKE SURE THE OUTPUT IS NOT OVERLOADED.
4. DOES THE CIRCUIT OBEY ALL CMOS OPERATING REQUIREMENTS?
5. HAVE YOU FORGOTTEN A CONNECTION?

QUAD NAND GATE

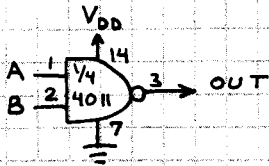
4011

THE BASIC CMOS BUILDING BLOCK CHIP. MORE APPLICATIONS THAN TTL 7400/74LS00 QUAD NAND GATE.

$V_{DD} (+3-15V)$



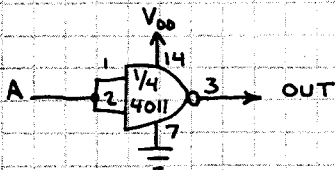
CONTROL GATE



A	B	OUT
L	L	H
L	H	H
H	L	H
H	H	L

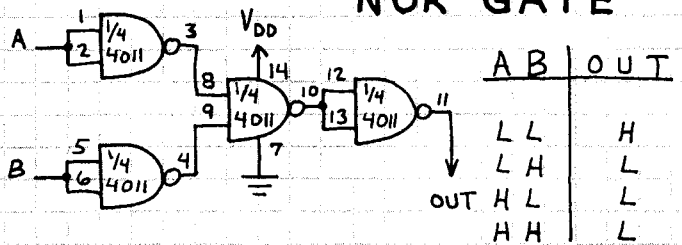
IMPORTANT: CONNECT ALL UNUSED INPUTS TO PIN 7 OR 14!

INVERTER



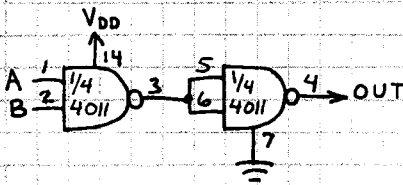
A	OUT
L	H
H	L

NOR GATE



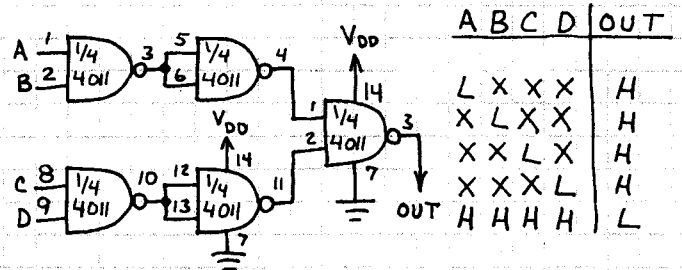
A	B	OUT
L	L	H
L	H	L
H	L	L
H	H	L

AND GATE



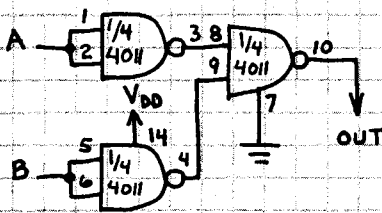
A	B	OUT
L	L	L
L	H	L
H	L	L
H	H	H

4-INPUT NAND GATE



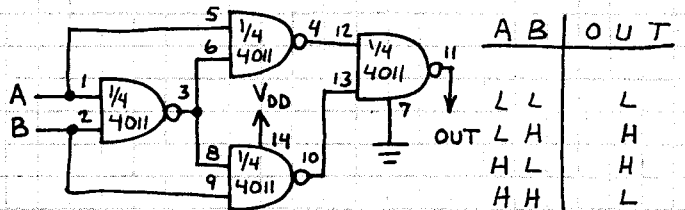
A	B	C	D	OUT
L	X	X	X	H
X	L	X	X	H
X	X	L	X	H
X	X	X	L	H
H	H	H	H	L

OR GATE



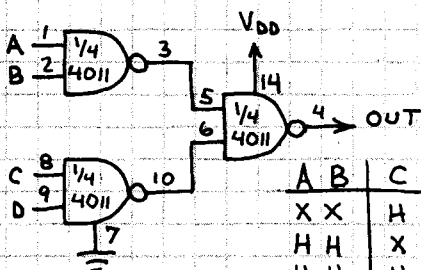
A	B	OUT
L	L	L
L	H	H
H	L	H
H	H	H

EXCLUSIVE-OR GATE



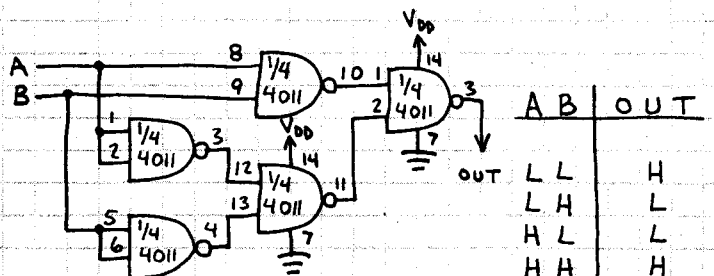
A	B	OUT
L	L	L
L	H	H
H	L	H
H	H	L

AND-OR GATE



A	B	C	D	OUT
X	X	H	H	H
H	H	X	X	H
H	H	H	H	H

EXCLUSIVE-NOR GATE

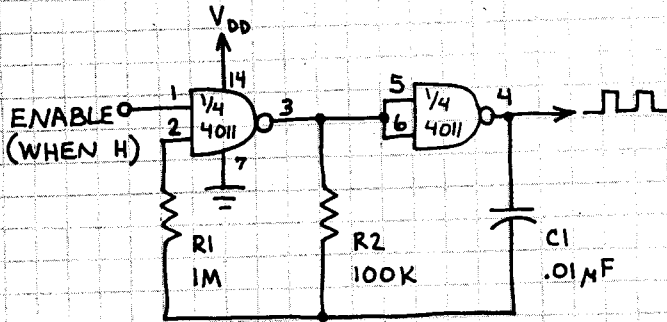


A	B	OUT
L	L	H
L	H	L
H	L	L
H	H	H

QUAD NAND GATE (CONTINUED)

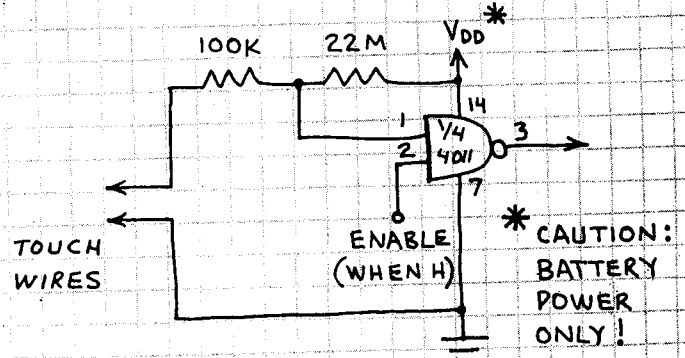
4011

GATED OSCILLATOR



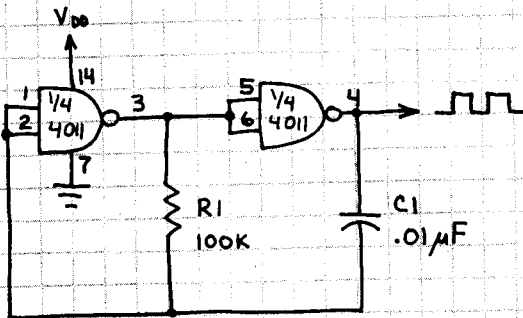
OUTPUT FREQUENCY IS 1 KHz SQUARE WAVE.

TOUCH SWITCH



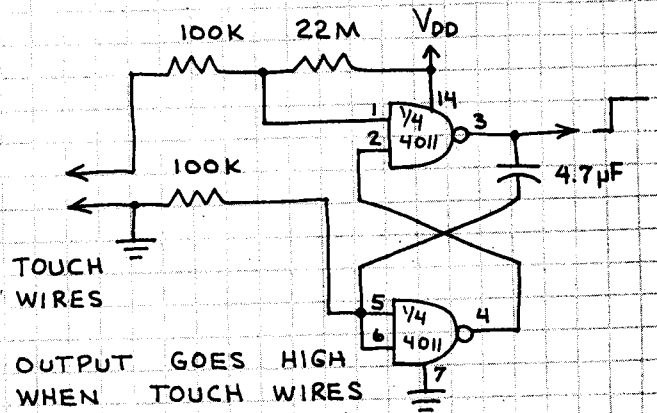
OUTPUT GOES HIGH WHEN TOUCH WIRES ARE BRIDGED BY A FINGER.

SIMPLE OSCILLATOR



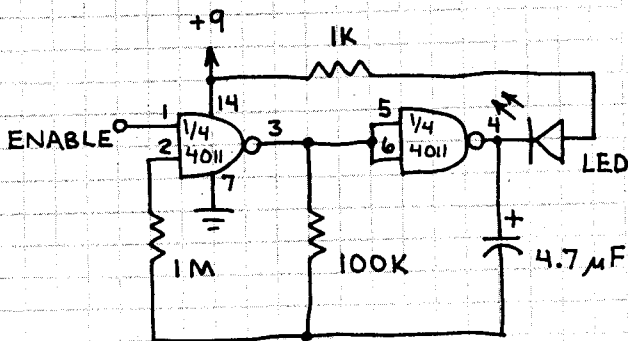
OUTPUT NOT AS SYMMETRICAL AS ABOVE CIRCUIT.

ONE-SHOT TOUCH SWITCH



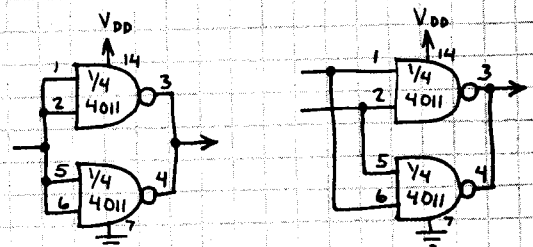
OUTPUT GOES HIGH WHEN TOUCH WIRES ARE BRIDGED BY A FINGER. OUTPUT THEN RETURNS LOW AFTER ABOUT 1 SECOND.

GATED FLASHER



LED FLASHES 1-2 Hz WHEN ENABLE IS HIGH. LED STAYS ON WHEN ENABLE IS LOW.

INCREASED OUTPUT DRIVE



INVERTER

NAND GATE

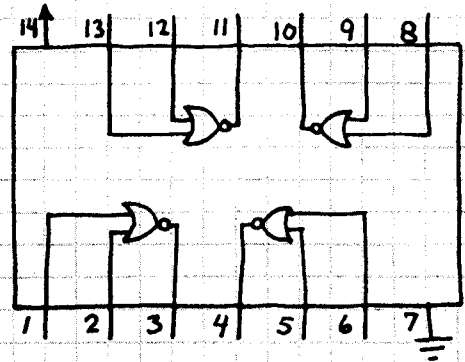
USE THIS METHOD TO INCREASE CURRENT THE 4011 CAN SOURCE OR SINK. OK TO ADD MORE GATES.

QUAD NOR GATE

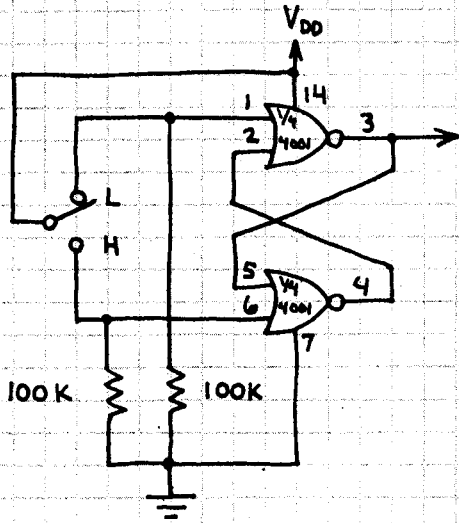
4001

AN IMPORTANT CMOS BUILDING BLOCK CHIP. ITS HIGH IMPEDANCE INPUT MAKES POSSIBLE MORE APPLICATIONS THAN THE TTL 7402/74LS02 QUAD NOR GATE.

V_{DD} (+3-15V)

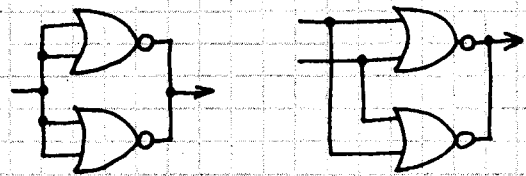


BOUNCELESS SWITCH



IMPORTANT: CONNECT ALL UNUSED INPUTS TO PIN 7 OR 14.

INCREASED OUTPUT DRIVE

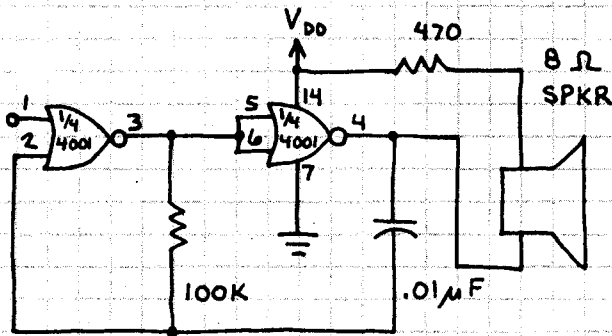


INVERTER

NOR GATE

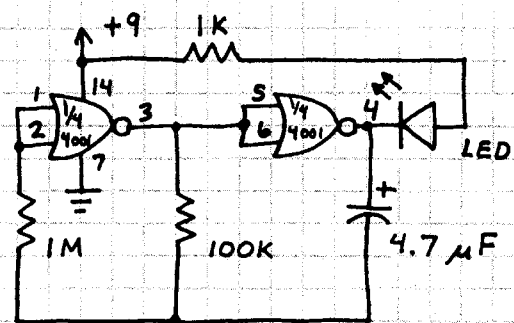
USE THIS METHOD TO INCREASE CURRENT THE 4001 CAN SOURCE OR SINK. OK TO ADD MORE GATES.

GATED TONE SOURCE



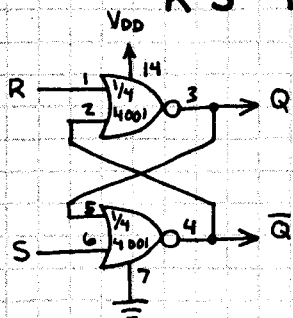
TONE FREQUENCY IS ABOUT 1KHz.

LED FLASHER



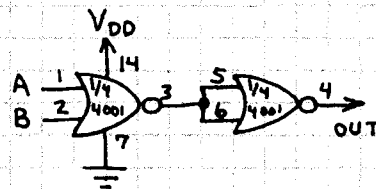
LED FLASHES 1-2 TIMES/SECOND.

RS LATCH



R	S	Q	\bar{Q}
L	L	NO CHANGE	
L	H	H	L
H	L	L	H
H	H	NOT ALLOWED	

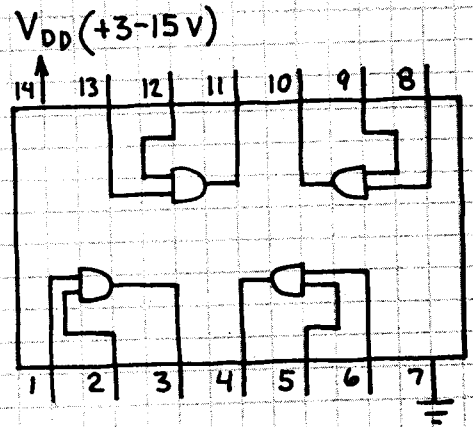
OR GATE



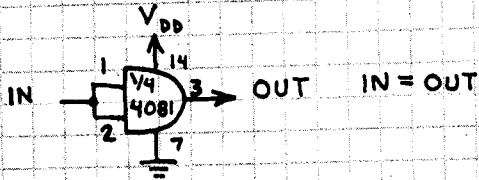
A	B	OUT
L	L	L
L	H	H
H	L	H
H	H	H

QUAD AND GATE 4081

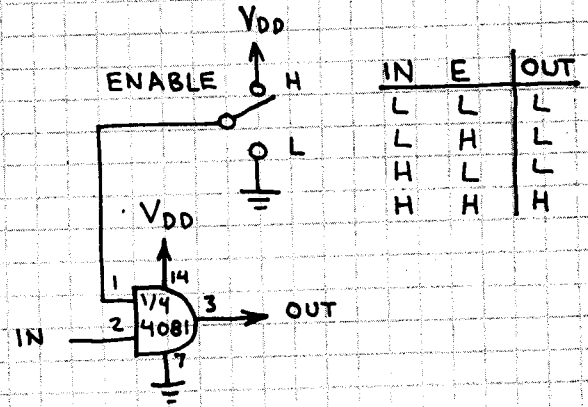
BUILDING BLOCK CHIP. USE
FOR BUFFERING AND LOGIC.
NOT AS VERSATILE AS 4011.



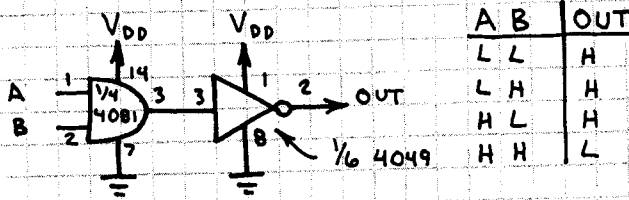
AND GATE BUFFER



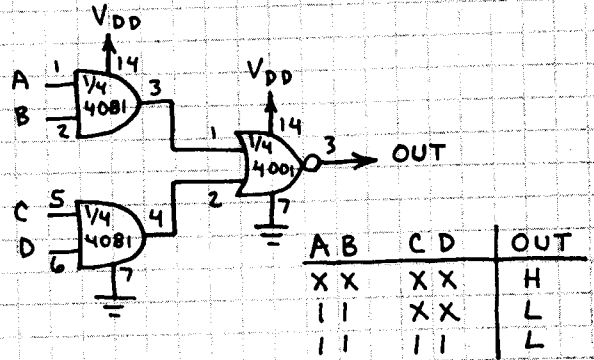
DIGITAL TRANSMISSION GATE



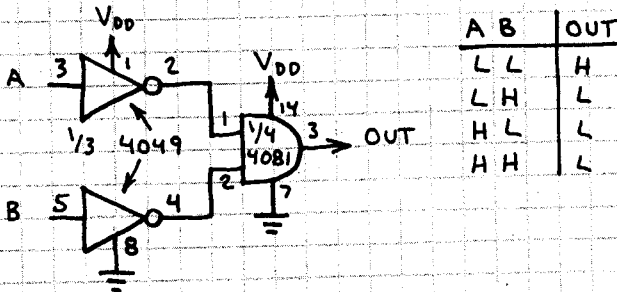
NAND GATE



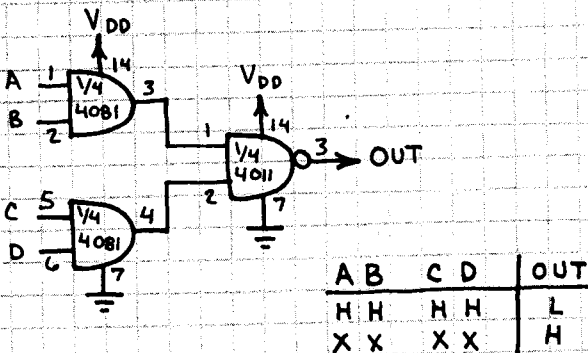
AND-OR-INVERT GATE



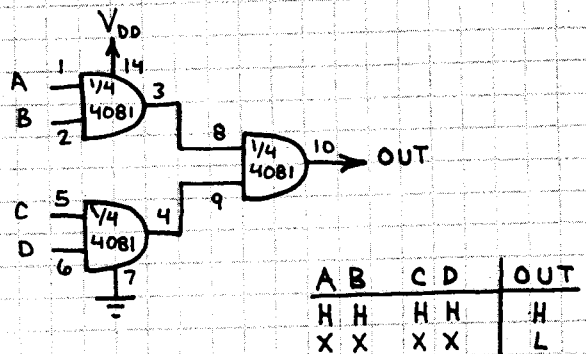
NOR GATE



4-INPUT NAND GATE



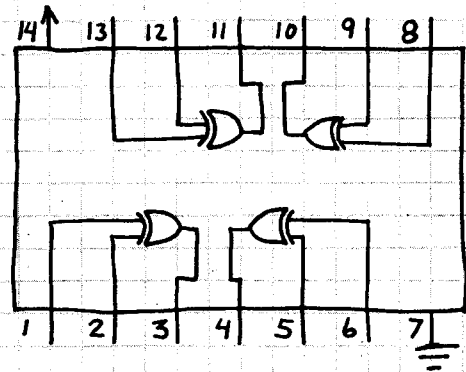
4-INPUT AND GATE



QUAD EXCLUSIVE-OR GATE

4070

V_{DD} (+3-15V)



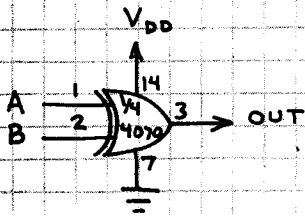
THE OUTPUT OF EACH GATE GOES LOW WHEN BOTH INPUTS ARE EQUAL. THE OUTPUT GOES HIGH IF THE INPUTS ARE UNEQUAL. MANY APPLICATIONS INCLUDING BINARY ADDITION, COMPARING BINARY WORDS AND PHASE DETECTION.

IMPORTANT: CONNECT UNUSED INPUTS TO PIN 7 OR 14.

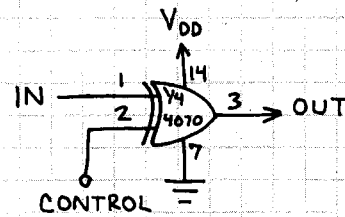
CONTROLLED INVERTER

1-BIT COMPARATOR

THIS CIRCUIT IS ALSO A HALF-ADDER WITHOUT A CARRY OUTPUT.



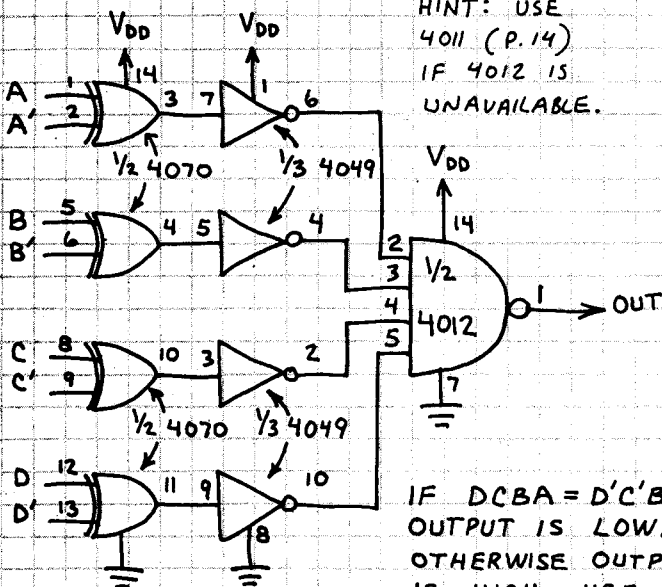
A	B	OUT
L	L	L
L	H	H
H	L	H
H	H	L



L: IN = OUT
H: IN = NOT OUT

4-BIT COMPARATOR

DETERMINES IF TWO 4-BIT WORDS ARE EQUAL.

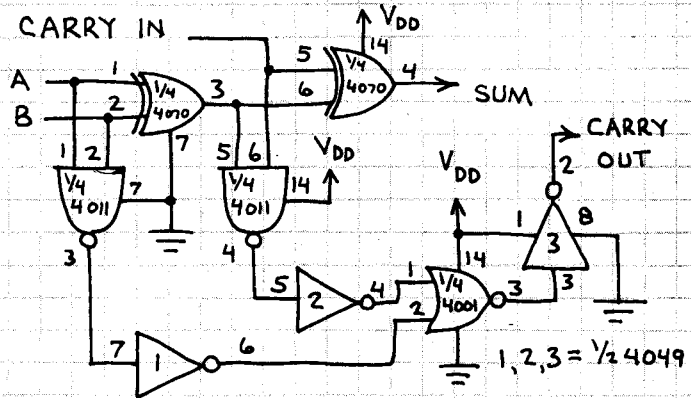


HINT: USE 4011 (P.14) IF 4012 IS UNAVAILABLE.

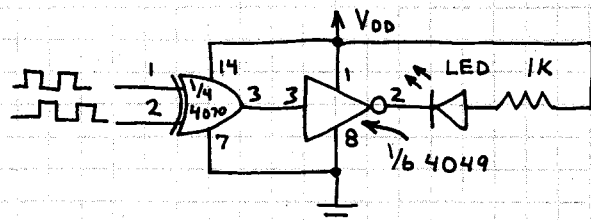
IF DCBA = D'C'B'A' OUTPUT IS LOW. OTHERWISE OUTPUT IS HIGH. USE

4012 AS INVERTER TO REVERSE OPERATION.

BINARY FULL ADDER



PHASE DETECTOR

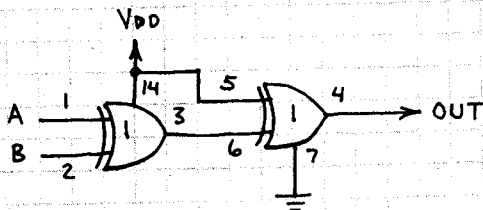
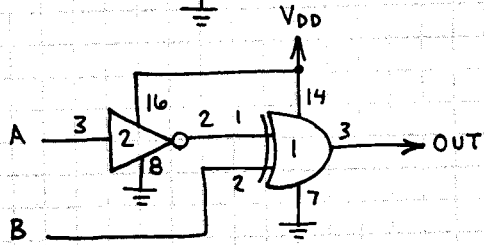
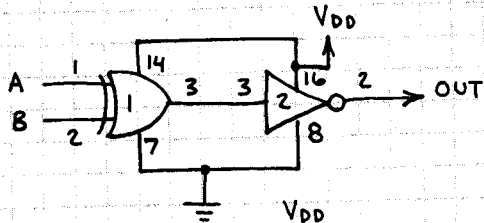


LED STOPS GLOWING WHEN THE INPUT FREQUENCIES ARE EQUAL.

QUAD EXCLUSIVE-OR GATE (CONTINUED)

4070

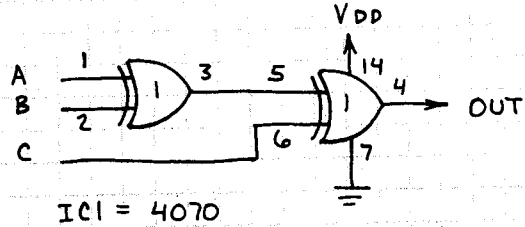
EXCLUSIVE-NOR



IC1 = 1/4 4070
IC2 = 1/6 4049

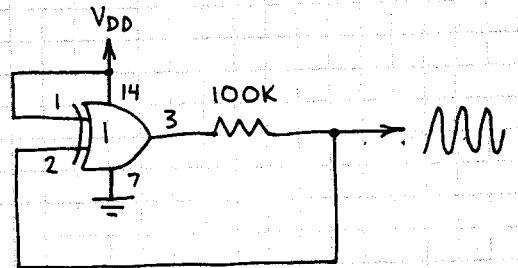
A	B	OUT
L	L	H
L	H	L
H	L	L
H	H	H

3-INPUT EX-OR



IC1 = 4070

10 MHz OSCILLATOR

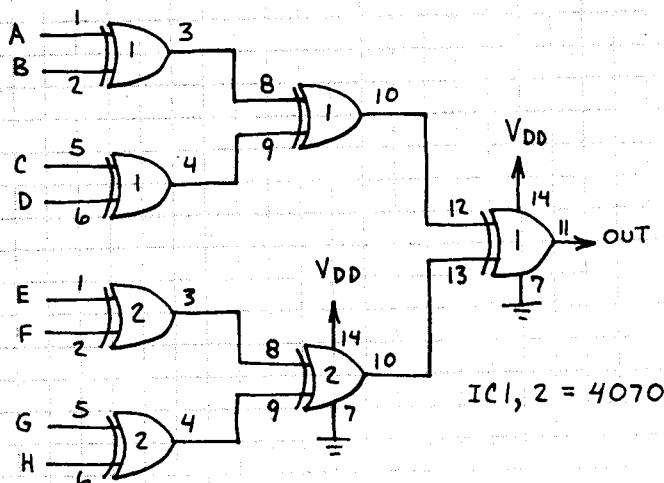


VDD = 3 TO 15 VOLTS

FREQUENCY VARIES WITH VDD :

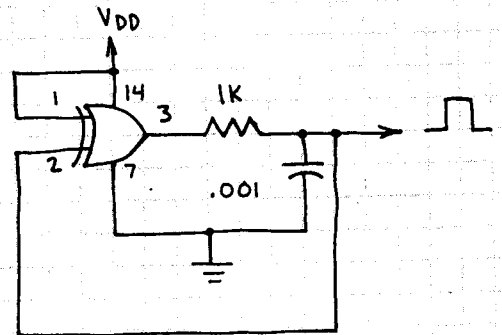
VDD	FREQUENCY	AMPLITUDE
5	2.4 MHz	3.5 V
10	9.4 MHz	8.0 V
15	11.0 MHz	12.0 V

8-INPUT EX-OR



IC1, 2 = 4070

SQUARE WAVE GENERATOR



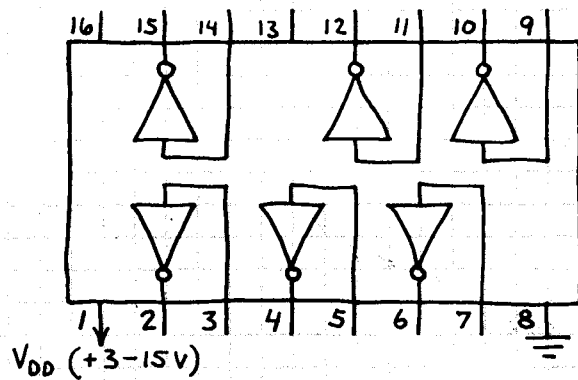
VDD = 3 TO 15 VOLTS

RISETIME = 50 NANoseconds
FREQUENCY = 2 MHz WHEN
VDD = 10 VOLTS

HEX INVERTING BUFFER

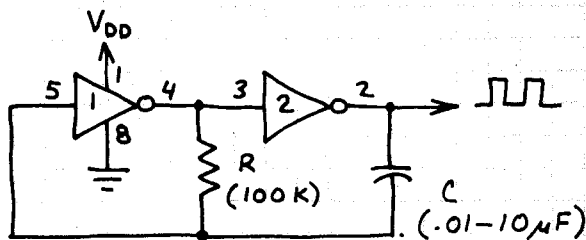
4049

IN ADDITION TO STANDARD LOGIC AND CMOS TO TTL INTERFACING, OFTEN USED IN OSCILLATORS AND PULSE GENERATORS. FOR LOW CURRENT APPLICATIONS, USE 4011 CONNECTED AS INVERTER. (OK TO USE 4011 FOR CIRCUITS ON THIS PAGE.)



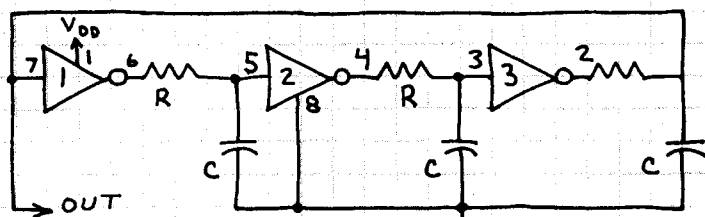
NOTE UNUSUAL LOCATION OF POWER SUPPLY PINS.

CLOCK PULSE GENERATOR



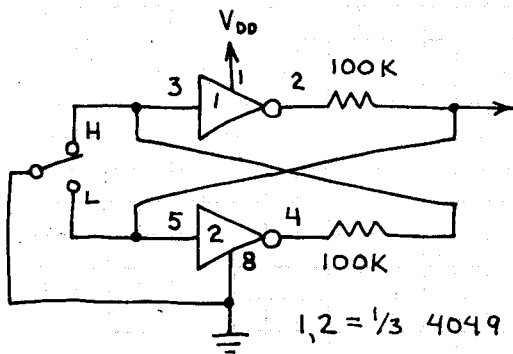
1, 2 = $\frac{1}{3}$ 4049 PULSE RATE = $\frac{1}{1.4RC}$

PHASE SHIFT OSCILLATOR



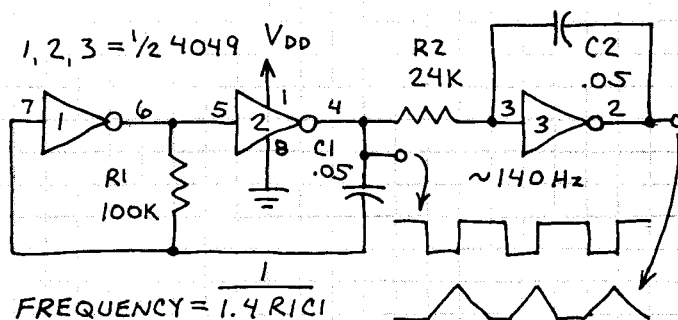
OUTPUT FREQUENCY = $\frac{1}{3.3RC}$ 1, 2, 3 = $\frac{1}{2}$ 4049

BOUNCELESS SWITCH



1, 2 = $\frac{1}{3}$ 4049

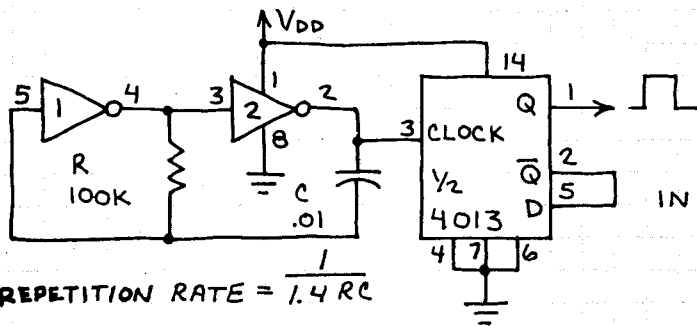
TRIANGLE WAVE SOURCE



FREQUENCY = $\frac{1}{1.4R1C1}$

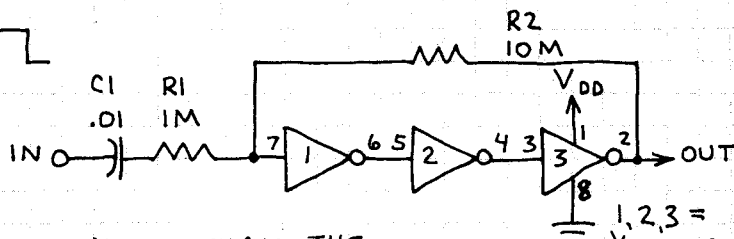
SQUARE WAVE GENERATOR

LINEAR 10X AMPLIFIER



REPETITION RATE = $\frac{1}{1.4RC}$

1, 2 = $\frac{1}{3}$ 4049

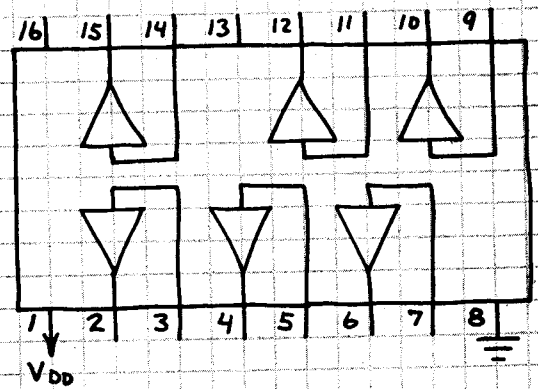


NOTE THAT THE INVERTERS ARE USED IN A LINEAR MODE. GAIN = $\frac{R2}{R1}$.

HEX NON-INVERTING BUFFER 4050

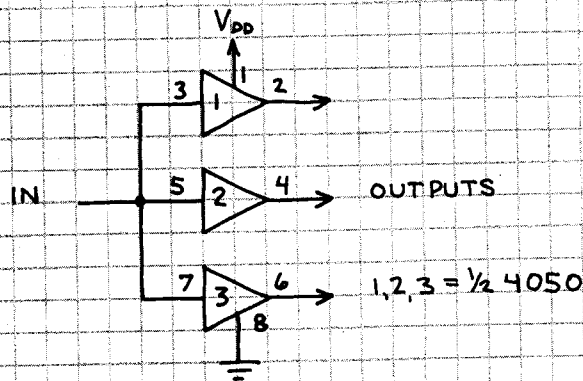
PRIMARYLY INTENDED FOR
INTERFACING CMOS TO TTL.
SUPPLIES MORE CURRENT
THAN STANDARD CMOS.

IMPORTANT: ALL UNUSED INPUTS
MUST GO TO PIN 1 OR 8.

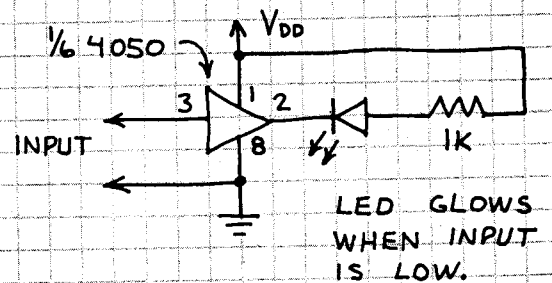


NOTE UNUSUAL LOCATION
OF POWER SUPPLY PINS.

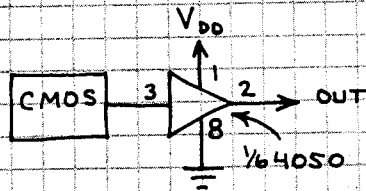
OUTPUT EXPANDER



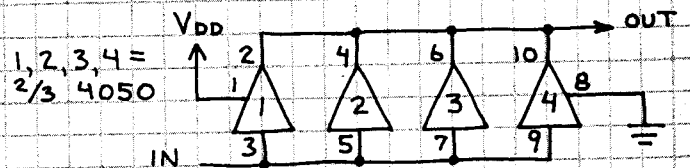
LOGIC PROBE



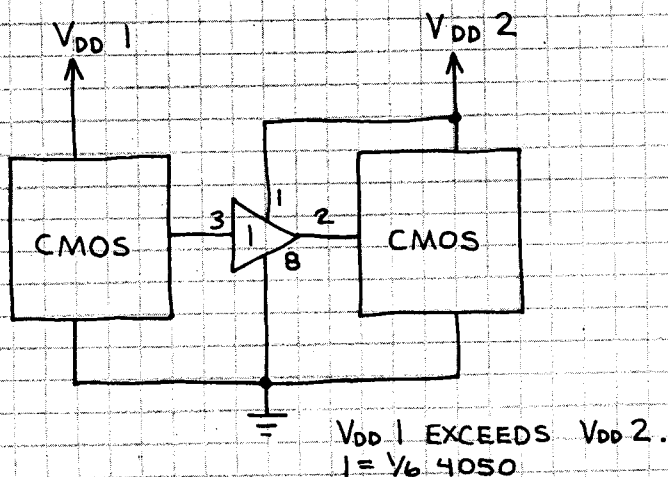
OUTPUT BUFFER



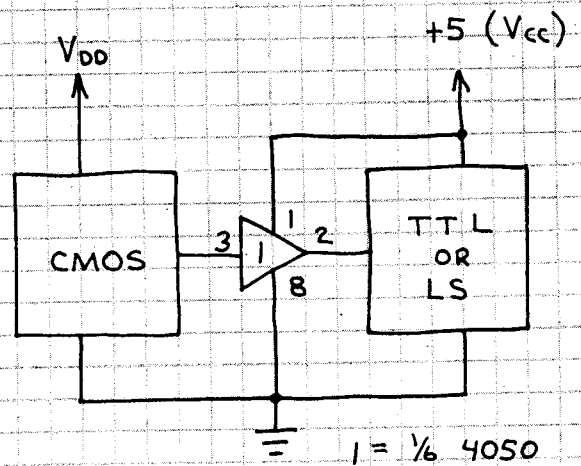
INCREASED OUTPUT DRIVE



CMOS TO CMOS AT LOWER V_{DD}

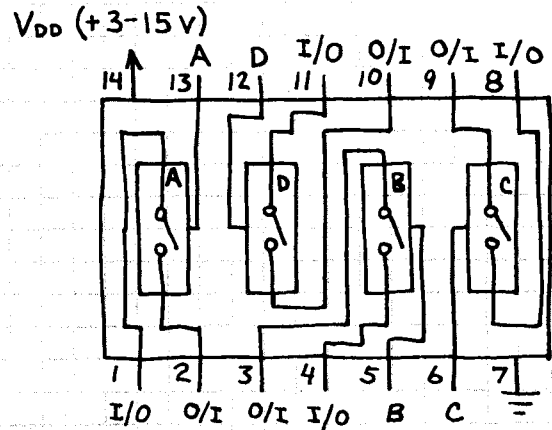


CMOS TO TTL/LS AT LOWER V_{CC}

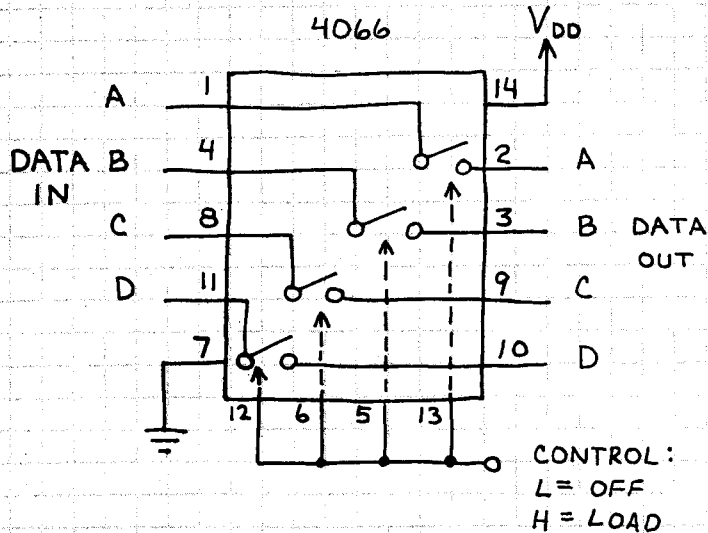


QUAD BILATERAL SWITCH 4066

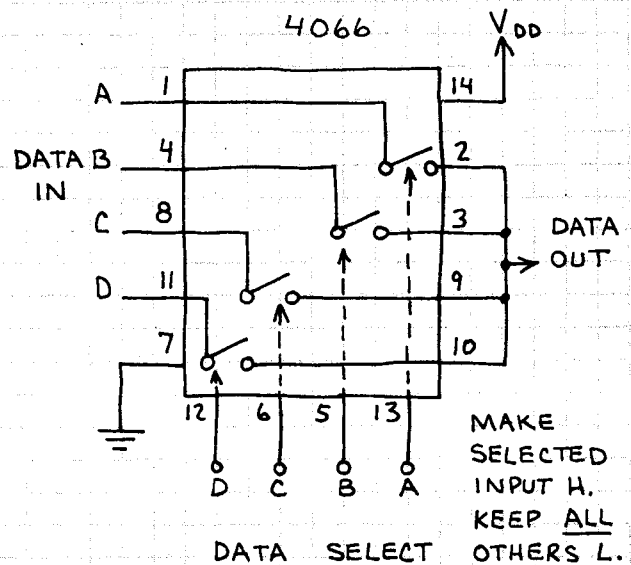
ONE OF THE MOST VERSATILE CMOS CHIPS. PINS A, B, C AND D CONTROL FOUR ANALOG SWITCHES. CLOSE A SWITCH BY CONNECTING ITS CONTROL PIN TO V_{DD} . ON RESISTANCE = 80-250 OHMS. OPEN A SWITCH BY CONNECTING ITS CONTROL PIN TO GROUND (PIN 7). OFF RESISTANCE = 10^9 OHMS. I/O (INPUT/OUTPUT) AND O/I PINS ARE REVERSIBLE.



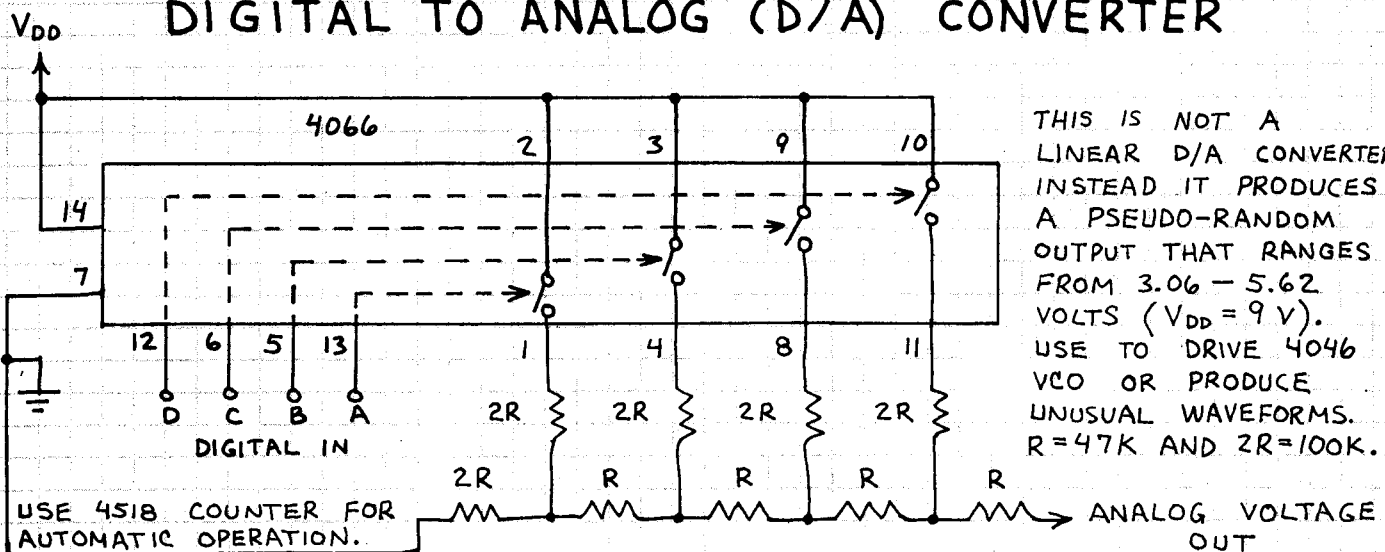
DATA BUS CONTROL



DATA SELECTOR



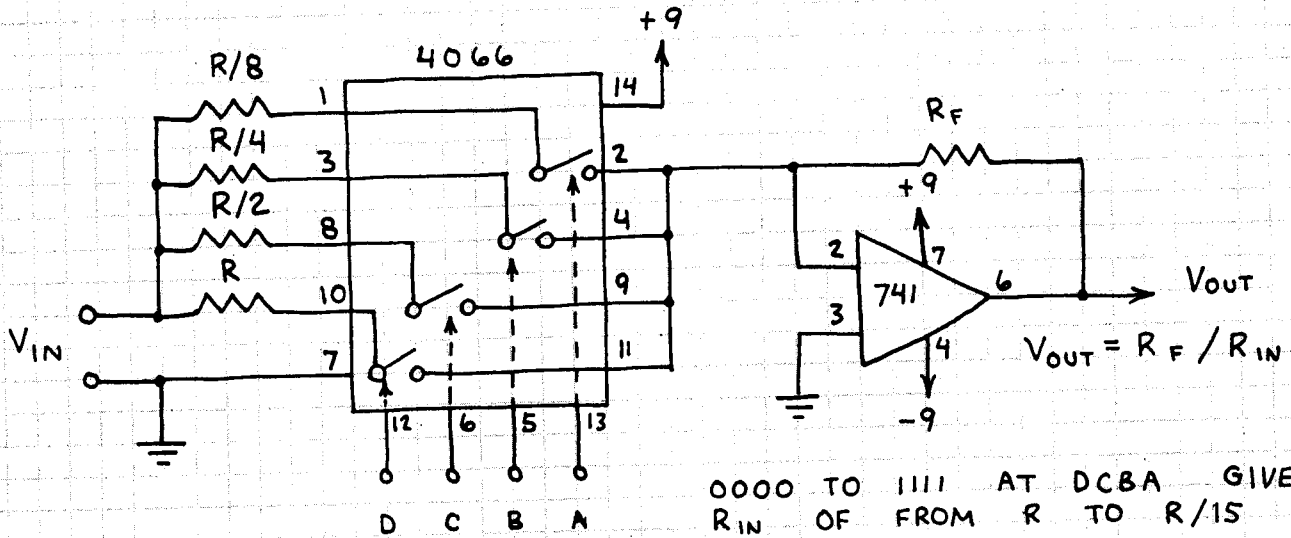
DIGITAL TO ANALOG (D/A) CONVERTER



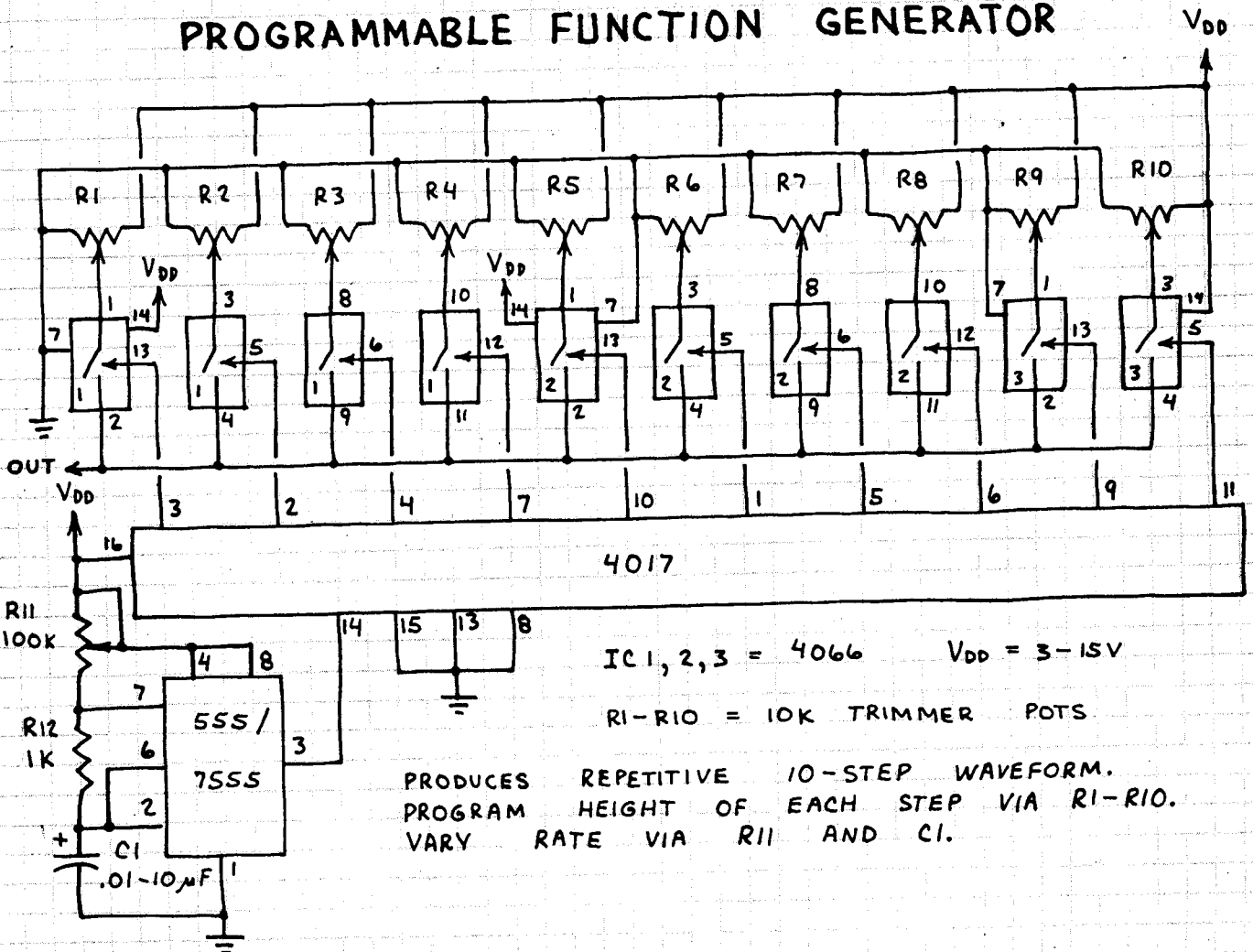
THIS IS NOT A LINEAR D/A CONVERTER. INSTEAD IT PRODUCES A PSEUDO-RANDOM OUTPUT THAT RANGES FROM 3.06 - 5.62 VOLTS ($V_{DD} = 9V$). USE TO DRIVE 4046 VCO OR PRODUCE UNUSUAL WAVEFORMS. $R = 47K$ AND $2R = 100K$.

QUAD BILATERAL SWITCH 4066 (CONTINUED)

PROGRAMMABLE GAIN AMPLIFIER



PROGRAMMABLE FUNCTION GENERATOR



1024-BIT STATIC RAM 2102L

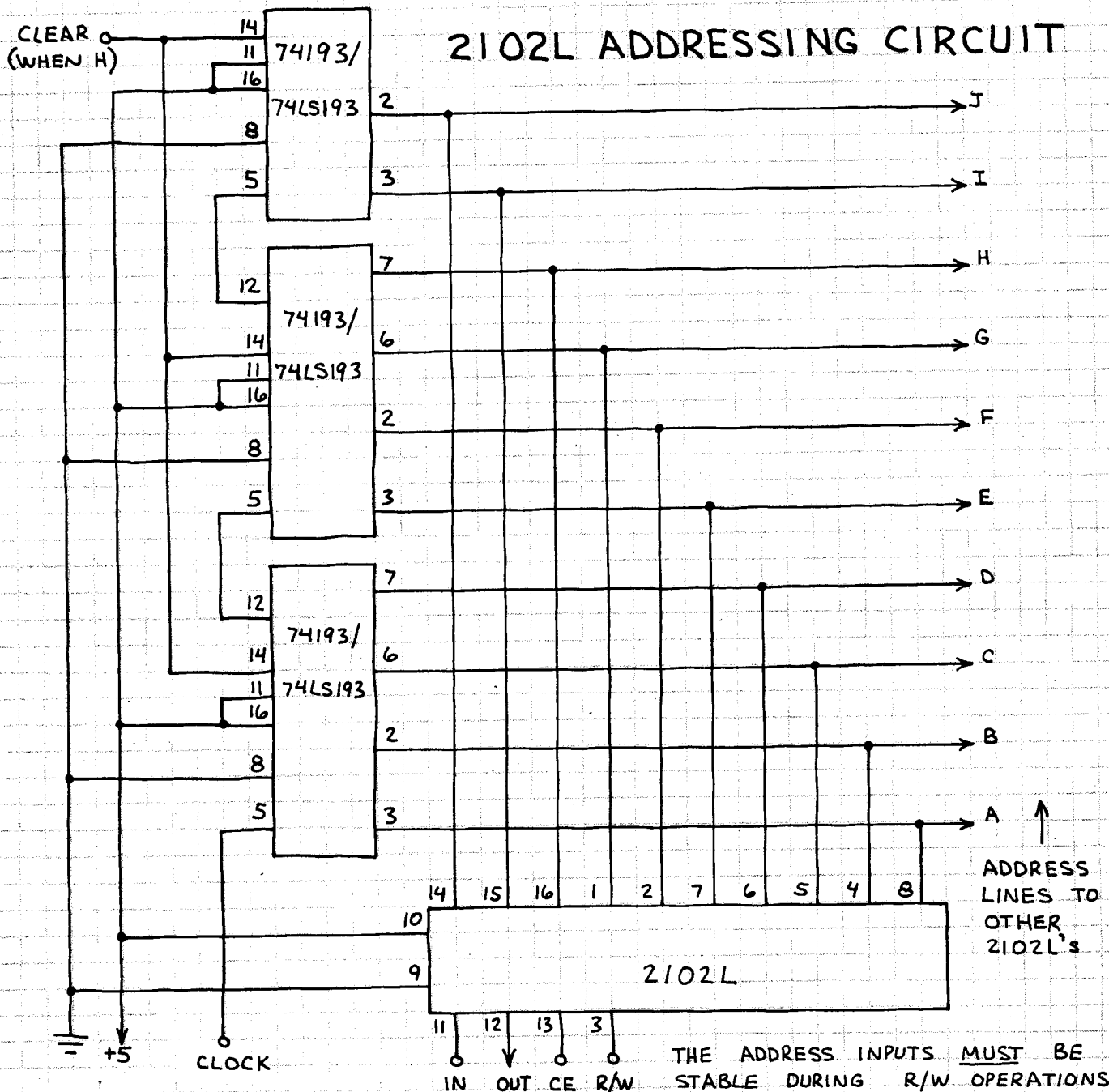
1024 1-BIT STORAGE LOCATIONS ADDRESSED BY PINS AO-A9. TTL/LS COMPATIBLE. CE (CHIP ENABLE) INPUT CONTROLS R/W (READ/WRITE) OPERATIONS). 3-STATE OUTPUTS.

A7 A8 A9 CE OUT IN +5 GND
16 15 14 13 12 11 10 9

NOTE UNUSUAL LOCATION OF POWER SUPPLY PINS.
(AO-A9: ADDRESS INPUTS)

CE	R/W	OPERATION
L	L	WRITE (LOADS BIT AT PIN 11)
L	H	READ (OUTPUTS BIT AT PIN 12)
H	X	HI Z (OUTPUT ENTERS THIRD STATE)

1 2 3 4 5 6 7 8
A6 A5 R/w A1 A2 A3 A4 A0



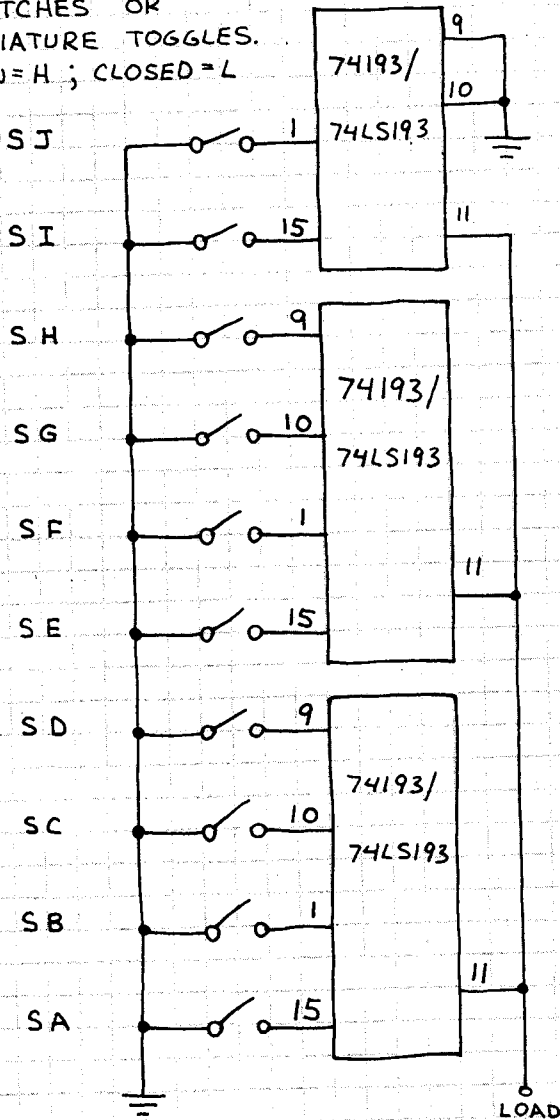
1024-BIT STATIC RAM (CONTINUED)

2102L

ADDING PROGRAMMED OR MANUAL JUMP

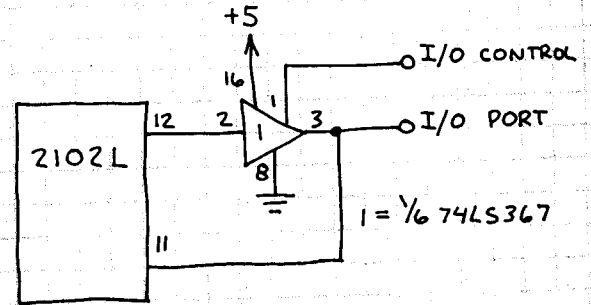
ADD THESE CONNECTIONS TO THE ADDRESSING CIRCUIT ON FACING PAGE.

SA-SJ: USE 8-POSITION DIP SWITCHES OR MINIATURE TOGGLES. OPEN=H; CLOSED=L



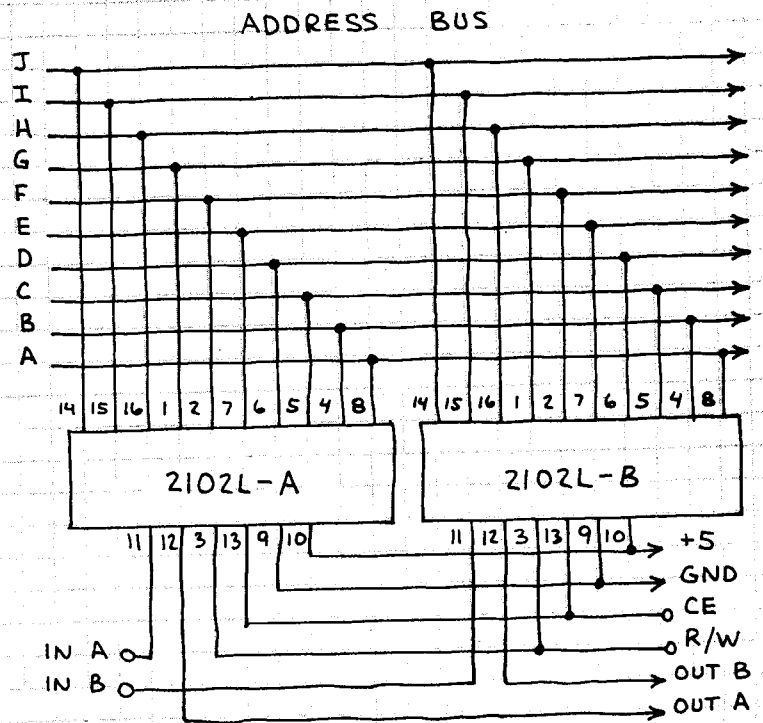
NORMALLY THE LOAD INPUT IS HIGH. MAKING LOAD LOW LOADS THE ADDRESS PROGRAMMED IN SWITCHES SA-SJ INTO THE 74193'S. THIS PERMITS A PROGRAMMED JUMP OR A MANUAL JUMP TO ANY ADDRESS.

SINGLE I/O PORT



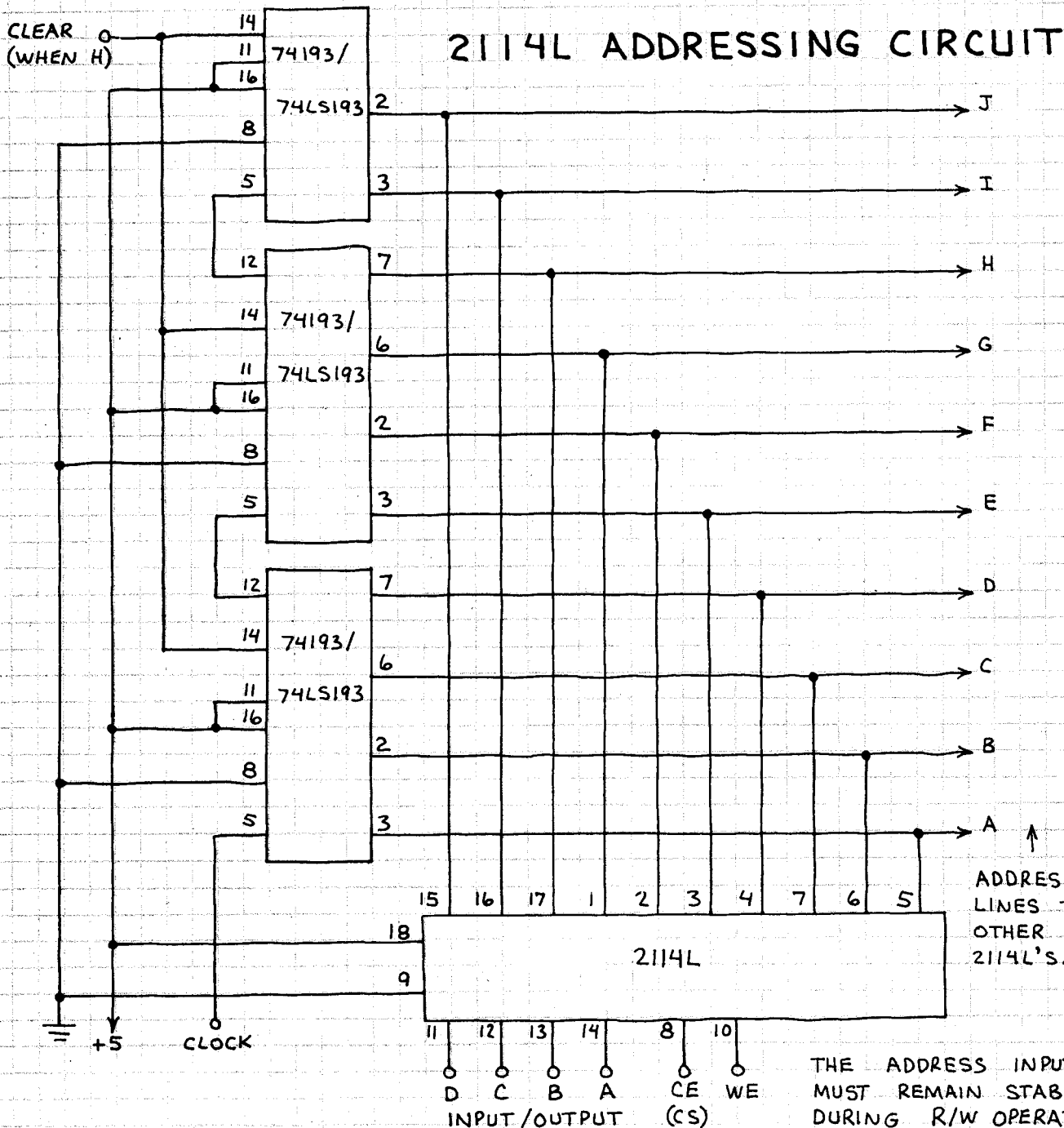
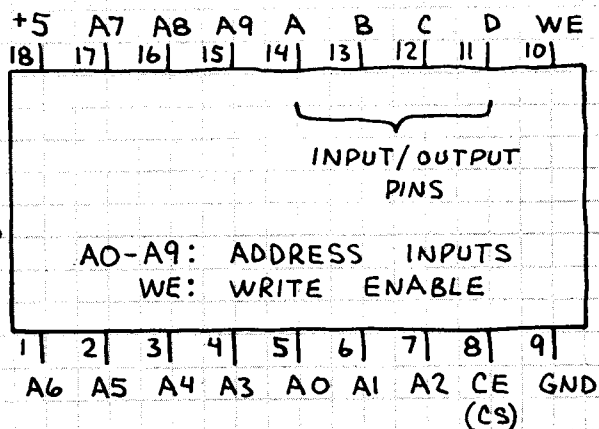
ADD THIS CIRCUIT TO THE ADDRESSING CIRCUIT ON FACING PAGE. WHEN I/O (INPUT/OUTPUT) CONTROL IS H, PIN 3 OF THE 74LS367 ENTERS THIRD STATE (HI-Z) AND I/O PORT ACCEPTS INPUT DATA. WHEN PIN 3 OF THE 74LS367 IS L, I/O PORT OUTPUTS DATA. BOTH THESE OPERATIONS ARE DEPENDENT UPON THE STATUS OF THE 2102L CONTROL INPUTS.

CASCADING 2102L'S



1024 x 4-BIT RAM 2114L/4045

1024-4-BIT STORAGE LOCATIONS ADDRESSED BY PINS A0-A9. TTL/LS COMPATIBLE. FOR READ/WRITE OPERATIONS, CE (CHIP ENABLE, ALSO CALLED CHIP SELECT) MUST BE LOW. WE INPUT MUST BE LOW TO WRITE (LOAD) DATA INTO CHIP. WHEN WE IS HIGH, DATA IN ADDRESSED LOCATION APPEARS AT INPUT/OUTPUT PINS. IDEAL CHIP FOR DO-IT-YOURSELF MICROCOMPUTERS AND CONTROLLERS.



1024 x 4-BIT RAM (CONTINUED)

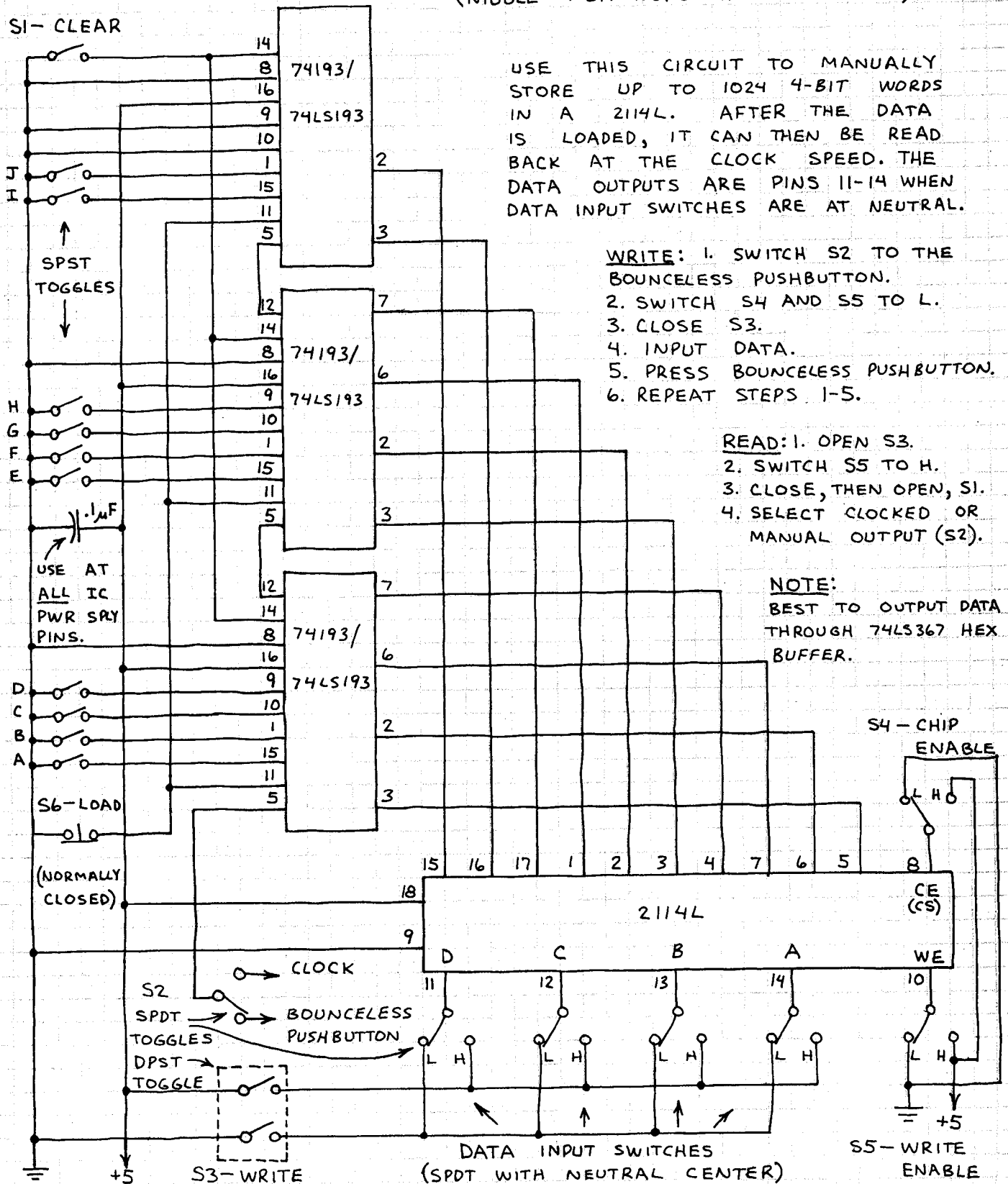
2114L/4045

1024-NIBBLE

DATA LOADING CIRCUIT

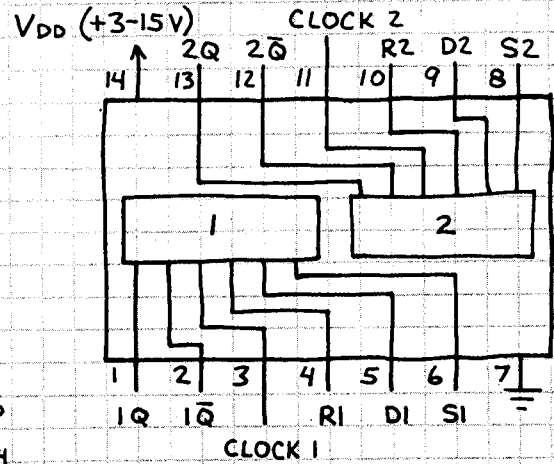
(NIBBLE = 4-BIT WORD OR 1/2 8-BIT WORD)

MANUAL JUMP: 1. SET SWITCHES A-J TO DESIRED ADDRESS; 2. PRESS S6.

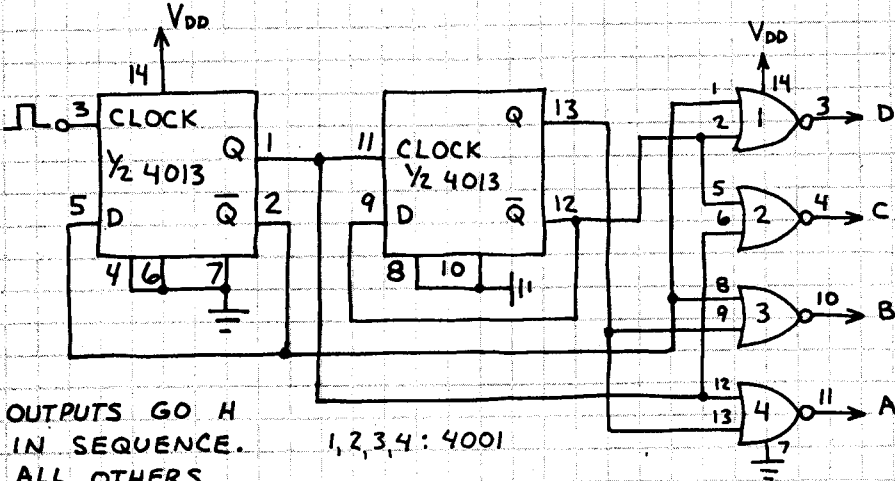


DUAL D FLIP-FLOP 4013

VERY VERSATILE PAIR OF D-TYPE
FLIP-FLOPS. GROUND UNUSED INPUTS.



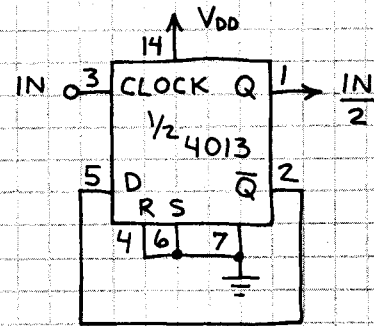
1-OF-4 SEQUENCER



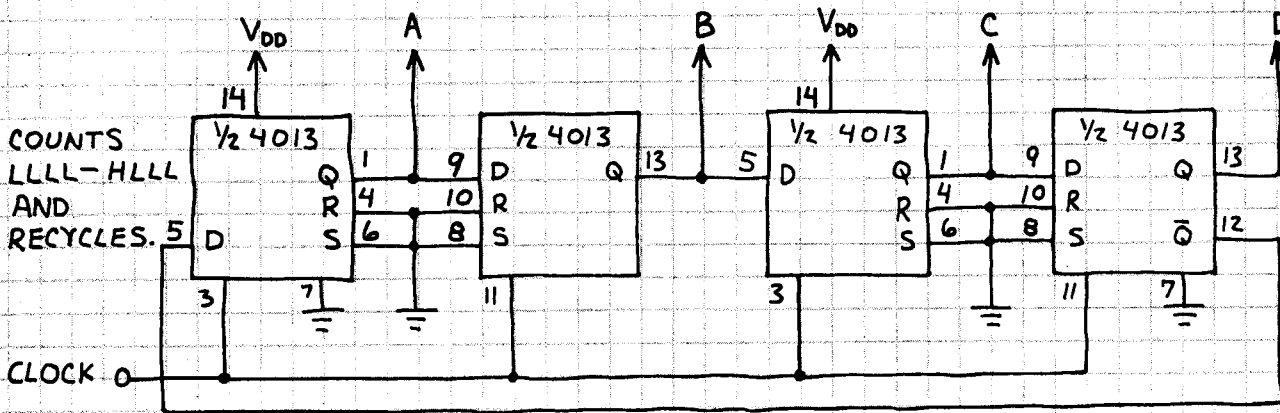
OUTPUTS GO H
IN SEQUENCE.
ALL OTHERS
STAY L.

1,2,3,4: 4001

DIVIDE-BY-2

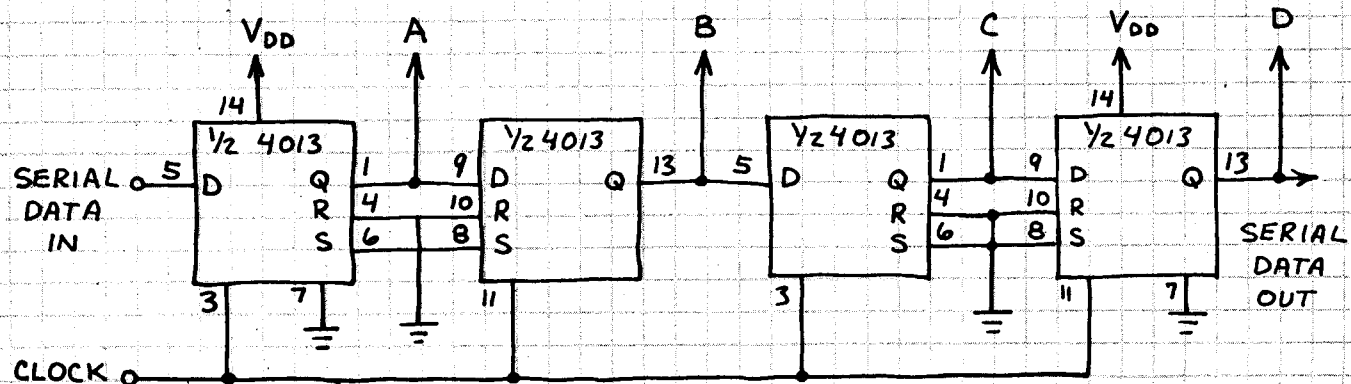


MODULO-8 COUNTER



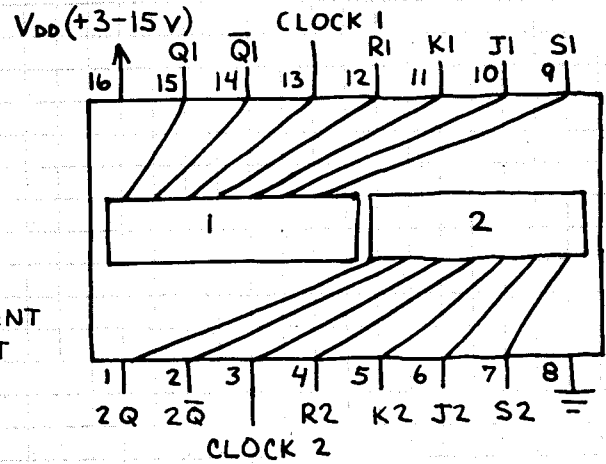
COUNTS
LLLL-HLLL
AND
RECYCLES.

SERIAL IN/OUT, PARALLEL OUT SHIFT REGISTER

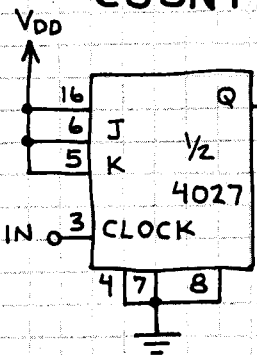


DUAL JK FLIP FLOP 4027

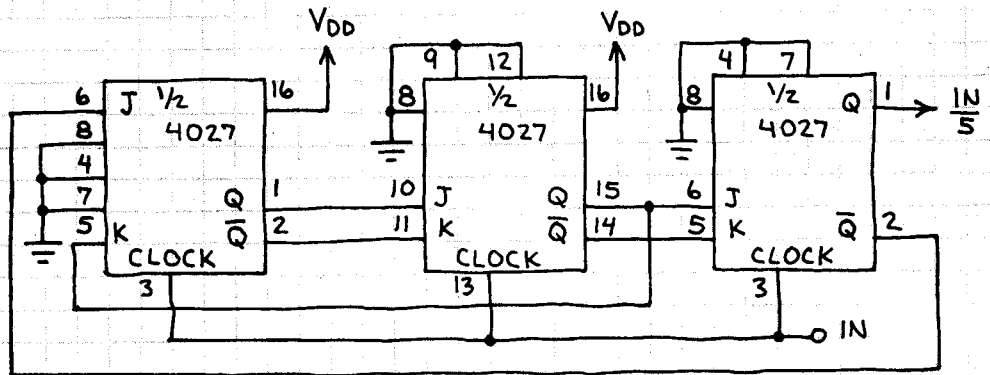
USE FOR DIVIDERS, COUNTERS AND REGISTERS. S (SET) AND R (RESET) INPUTS MUST BE LOW FOR CLOCKING TO OCCUR. MAKING S OR R HIGH SETS OR RESETS FLIP-FLOP INDEPENDENT OF CLOCK. IMPORTANT: ALL INPUTS MUST GO SOMEWHERE!



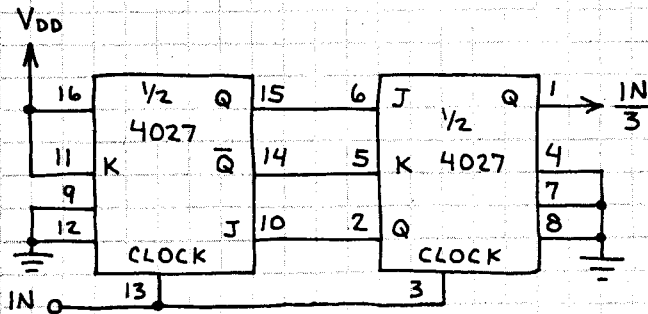
DIVIDE-BY-2 COUNTER



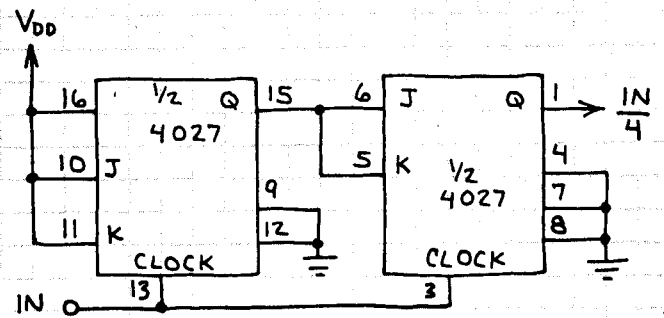
DIVIDE-BY-5 COUNTER



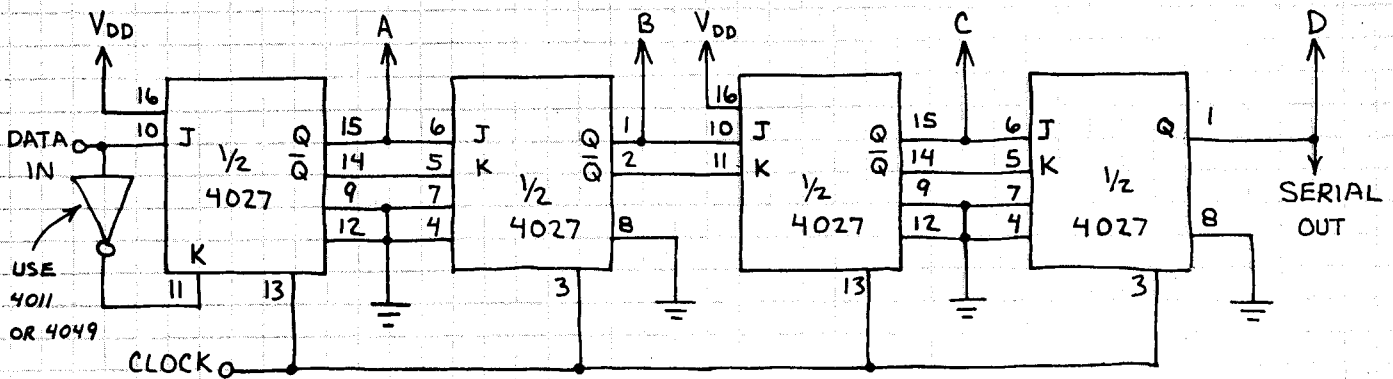
DIVIDE-BY-3 COUNTER



DIVIDE-BY-4 COUNTER

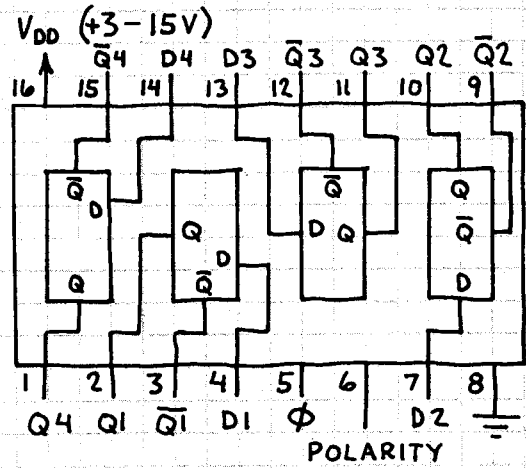


4-BIT SERIAL SHIFT REGISTER

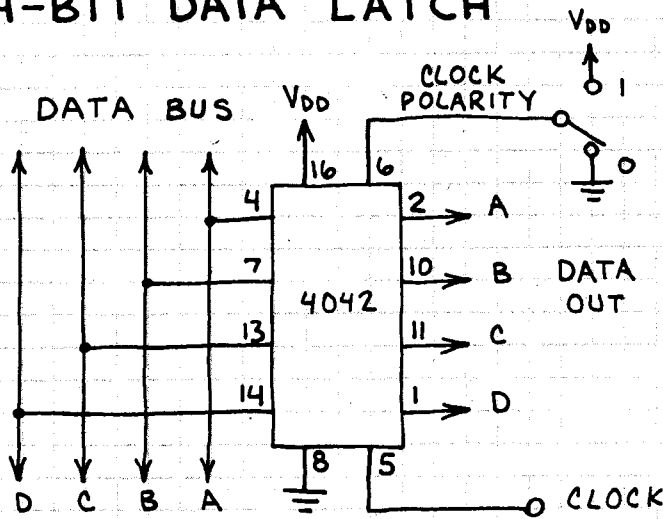


QUAD LATCH 4042

FOUR BISTABLE LATCHES.
CAN BE USED AS A
4-BIT DATA REGISTER.
ALL FOUR LATCHES ARE
CLOCKED SIMULTANEOUSLY.
POLARITY PIN PROVIDES
CLOCKING FLEXIBILITY.



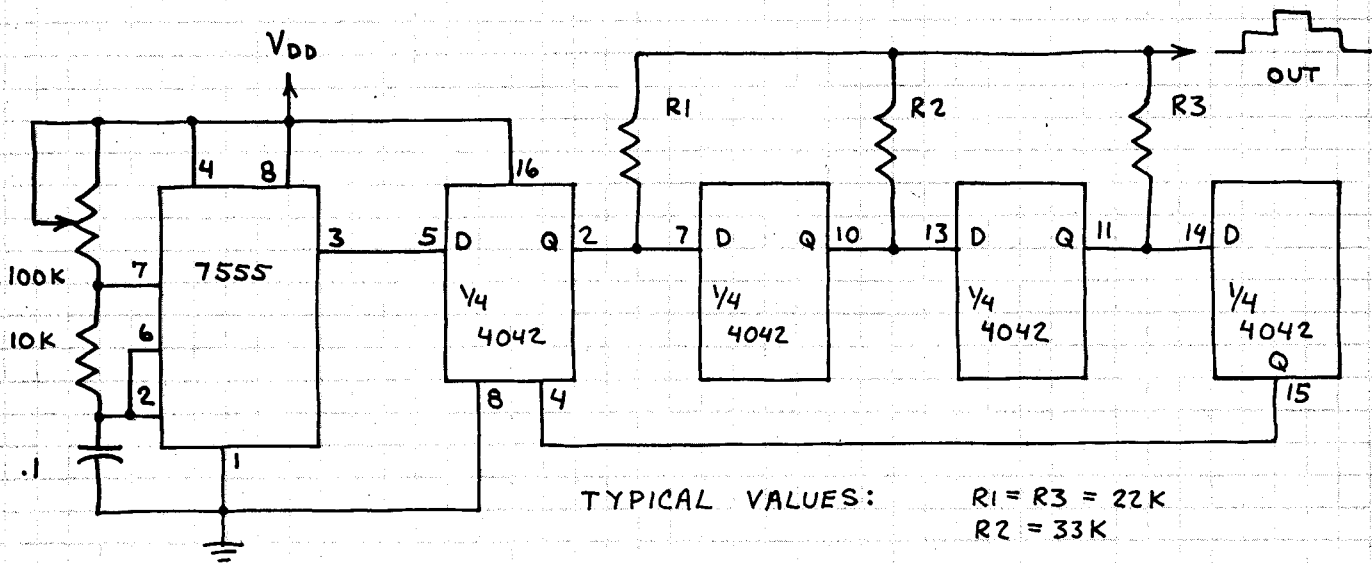
4-BIT DATA LATCH



CLOCK	POLARITY	Q
0	0	D LATCH
1	0	D LATCH
0	1	D LATCH
1	1	D LATCH

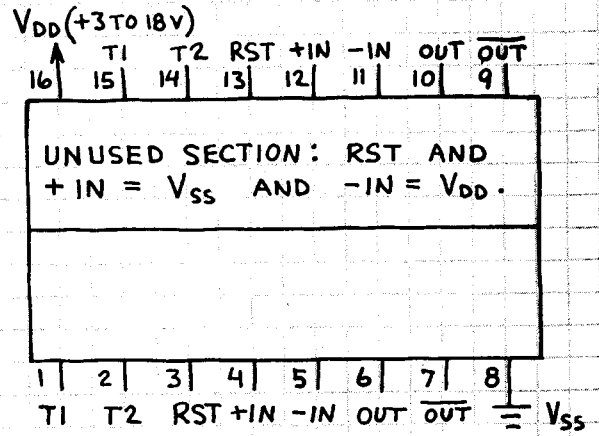
DATA ON BUS APPEARS
AT OUTPUTS. DATA
IS LATCHED (SAVED)
WHEN CLOCK SWITCHES.

STEPPED WAVE GENERATOR

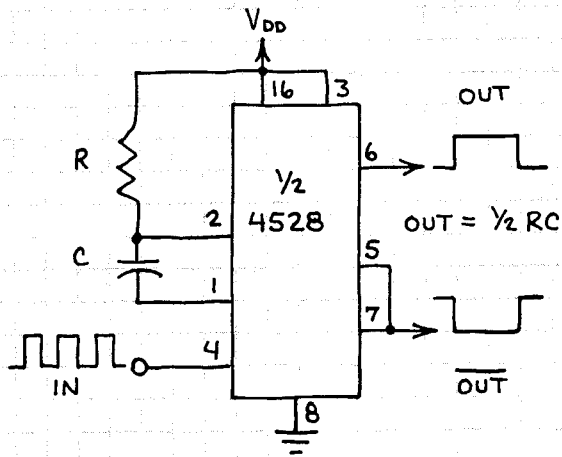


DUAL ONE-SHOT 4528

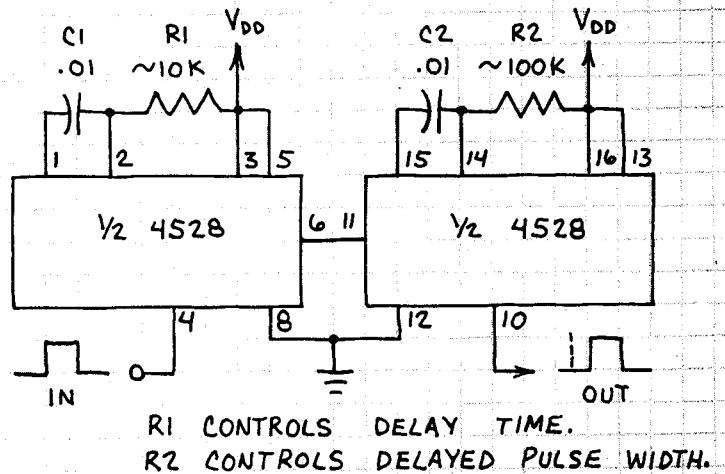
TWO FULLY INDEPENDENT MONOSTABLE MULTIVIBRATORS. BOTH CAN BE RETRIGGERED. TRIGGER CAN BE RISING OR FALLING EDGE OF PULSE. T1 AND T2 ARE TIMING INPUTS. RST IS RESET AND $\pm IN$ ARE TRIGGER INPUTS.



POSITIVE ONE-SHOT

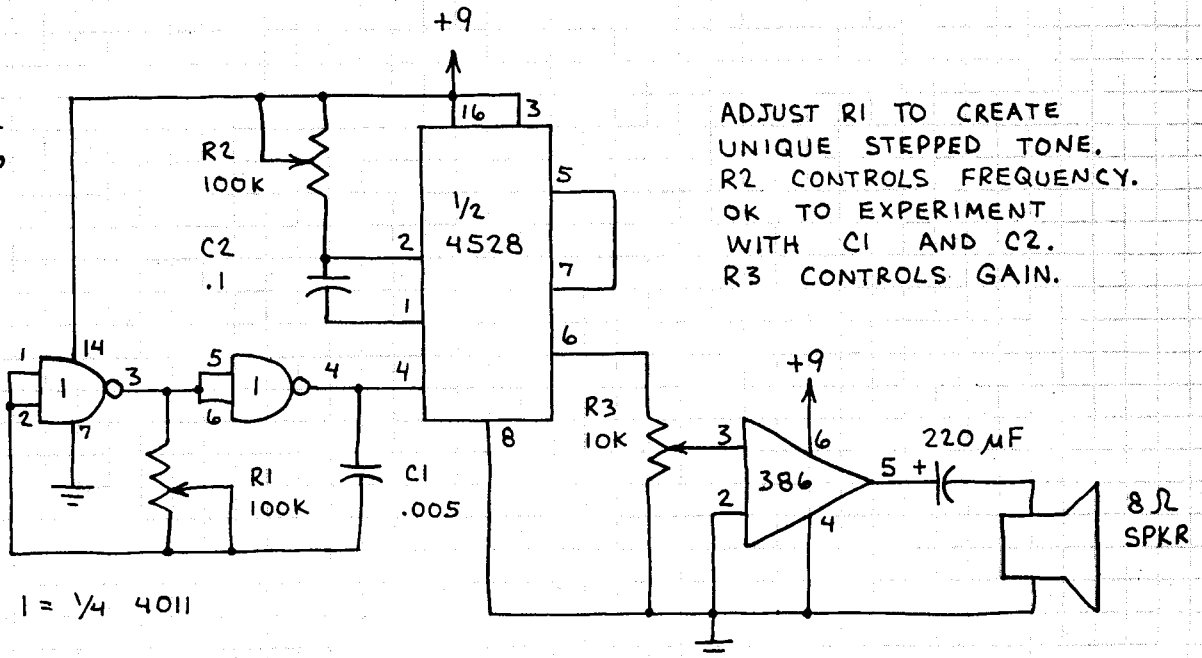


PULSE DELAYER



STEPPED TONE GENERATOR

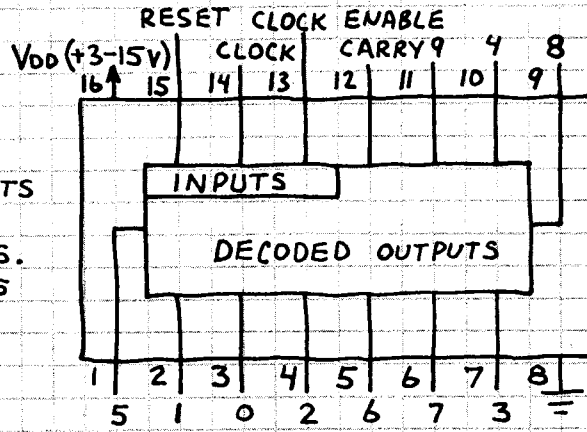
TO CONTROL WITH LIGHT, USE CDS PHOTOCELL FOR R1.



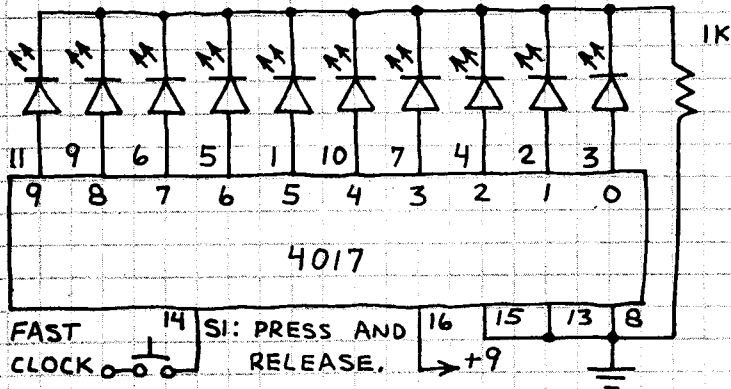
1 = 1/4 4011

DECADE COUNTER/DIVIDER 4017

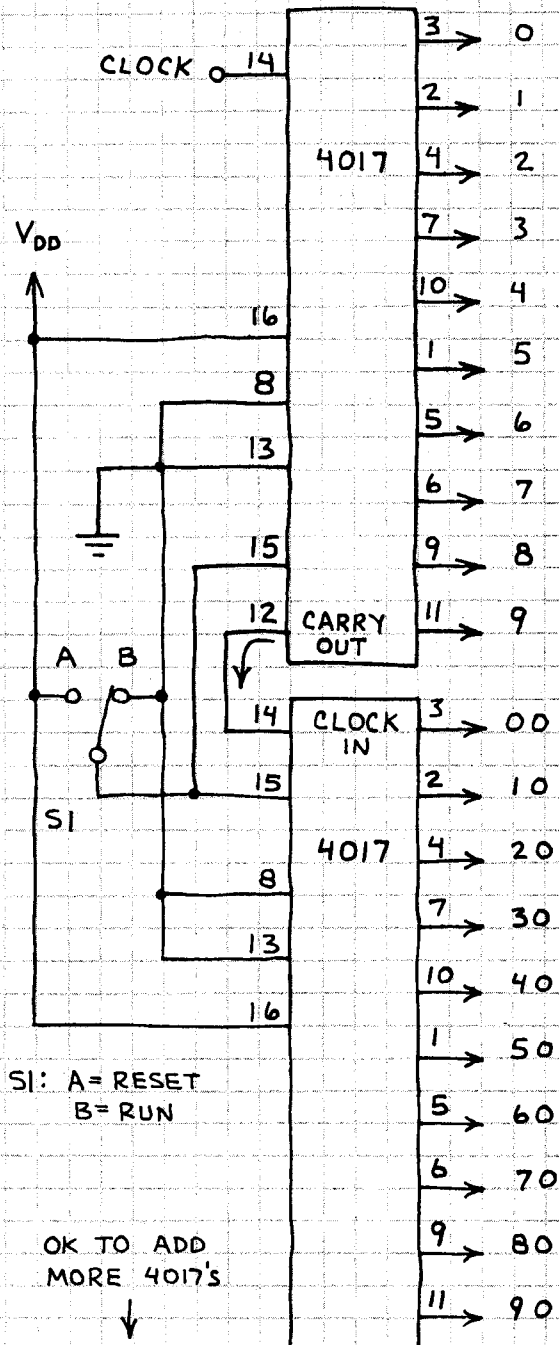
SEQUENTIALLY MAKES 1-OF-10 OUTPUTS HIGH (OTHERS STAY LOW) IN RESPONSE TO CLOCK PULSES. MANY APPLICATIONS. COUNT TAKES PLACE WHEN PINS 13 AND 15 ARE LOW.



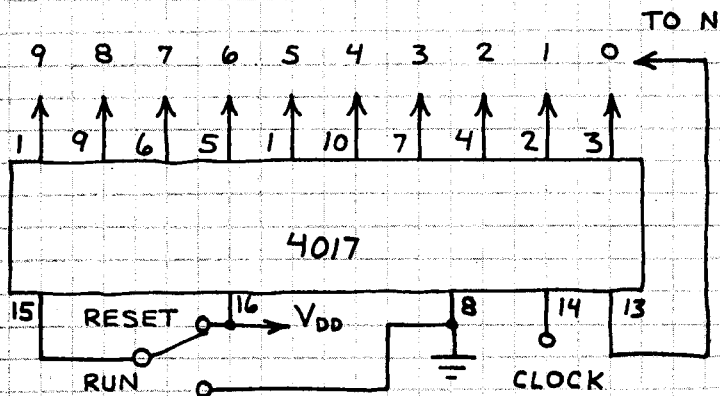
RANDOM NUMBER GENERATOR



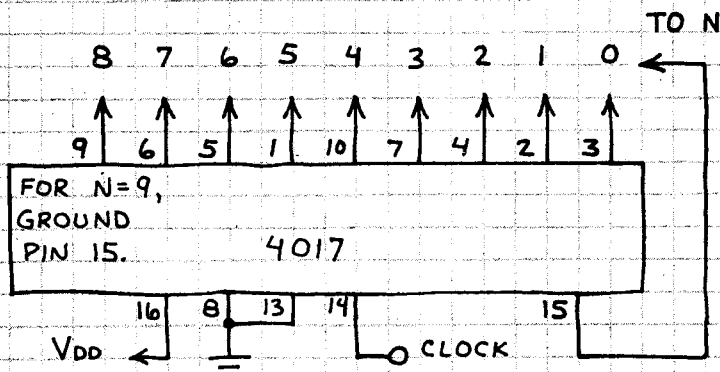
0-99 COUNTER



COUNT TO N AND HALT



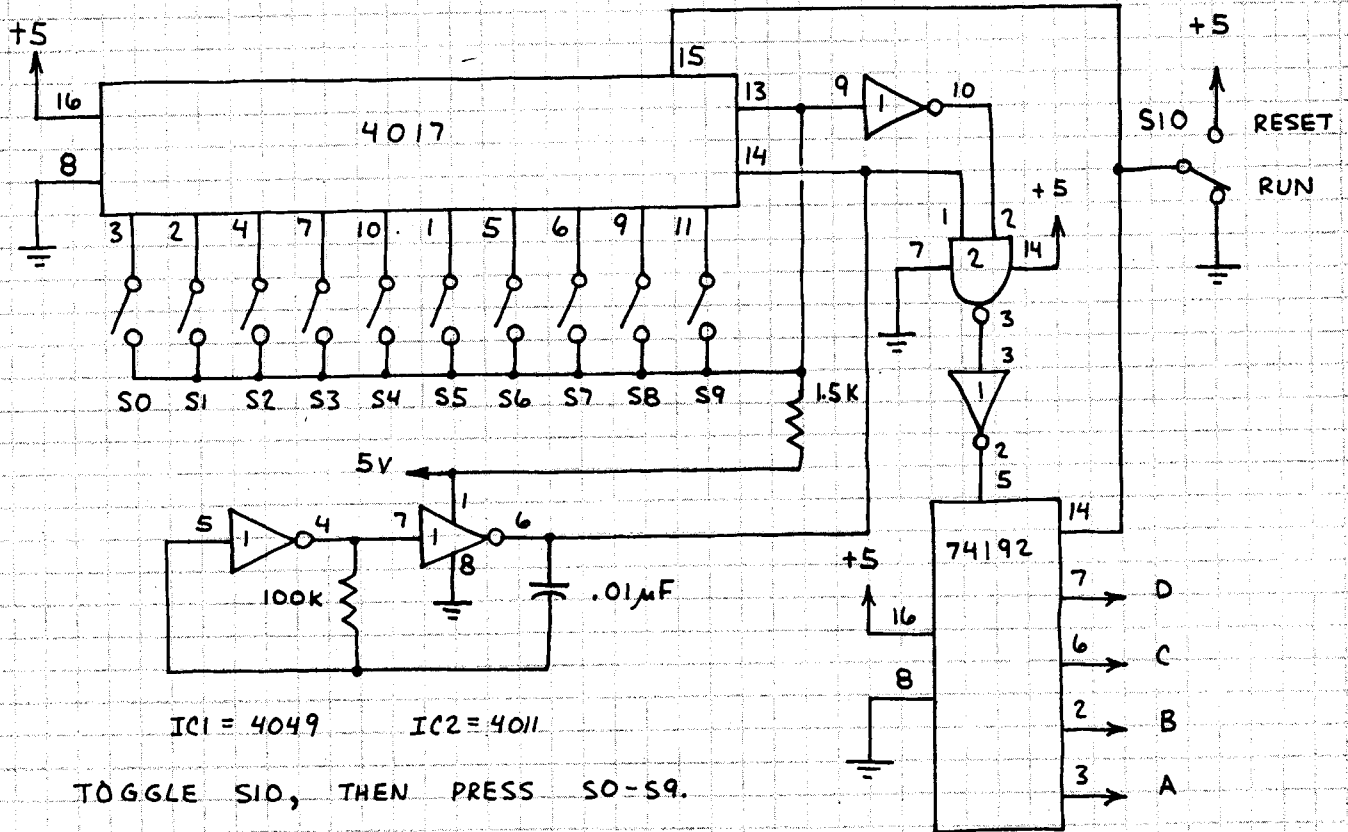
COUNT TO N AND RECYCLE



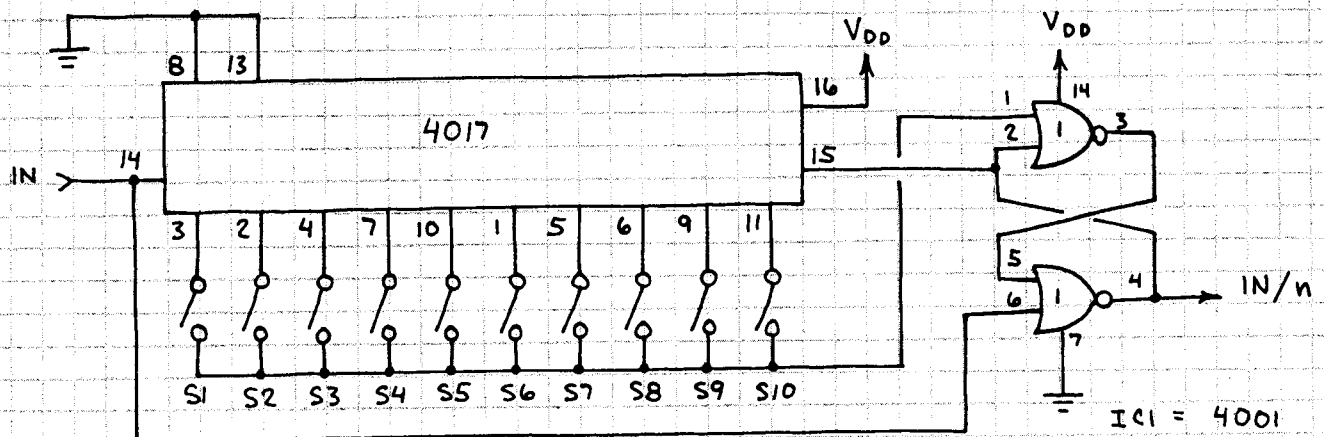
DECADE COUNTER/DIVIDER (CONTINUED)

4017

BCD KEYBOARD ENCODER



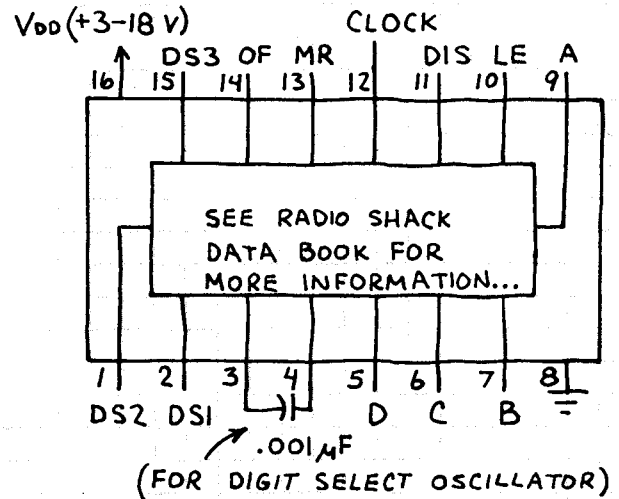
FREQUENCY DIVIDER



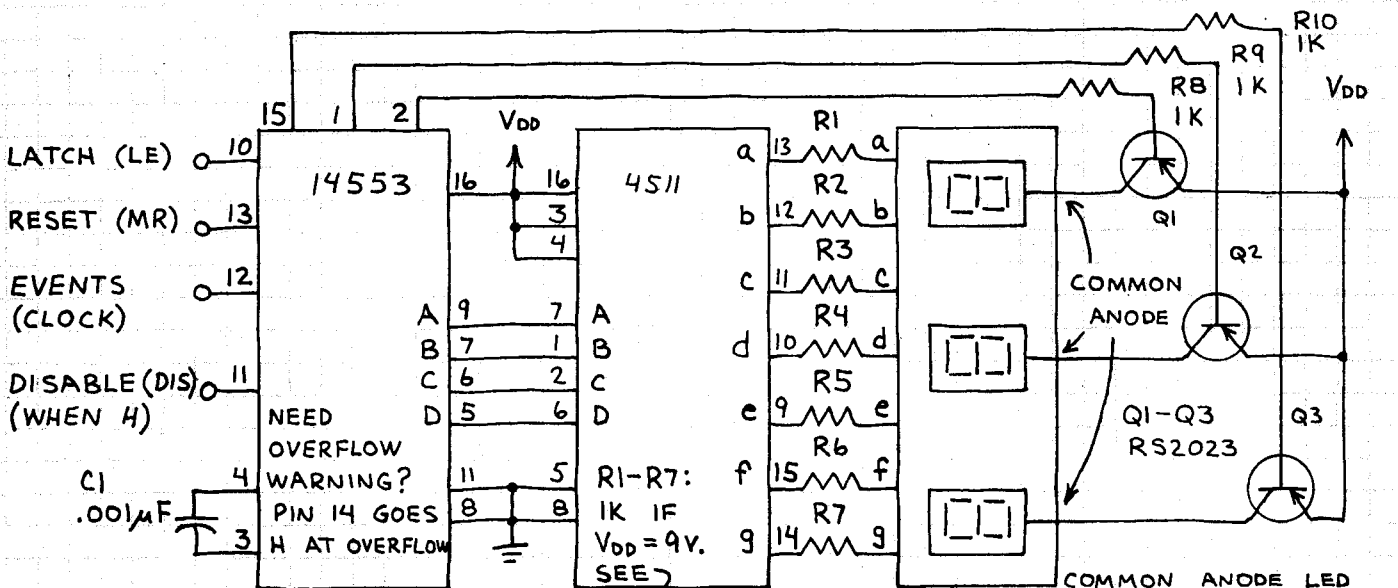
CLOSE S1-S10 TO DIVIDE
FREQUENCY BY FROM 1 TO 10.

3-DIGIT BCD COUNTER MC14553

COMPLETE 3-DIGIT COUNTER. USE FOR DO-IT-YOURSELF EVENT AND FREQUENCY COUNTERS. BEGINNERS: GET SOME PRACTICAL CIRCUIT EXPERIENCE BEFORE USING THIS CHIP. PIN EXPLANATIONS: DS (DIGIT SELECT) 1,2,3—SEQUENTIALLY STROBES READOUTS. LE—LATCH ENABLE (WHEN H). DIS—INHIBITS INPUT WHEN H. CLOCK—INPUT. MR—MASTER RESET (WHEN H). OF—OVERFLOW. A, B, C, D—BCD OUTPUTS.



3-DIGIT EVENT COUNTER

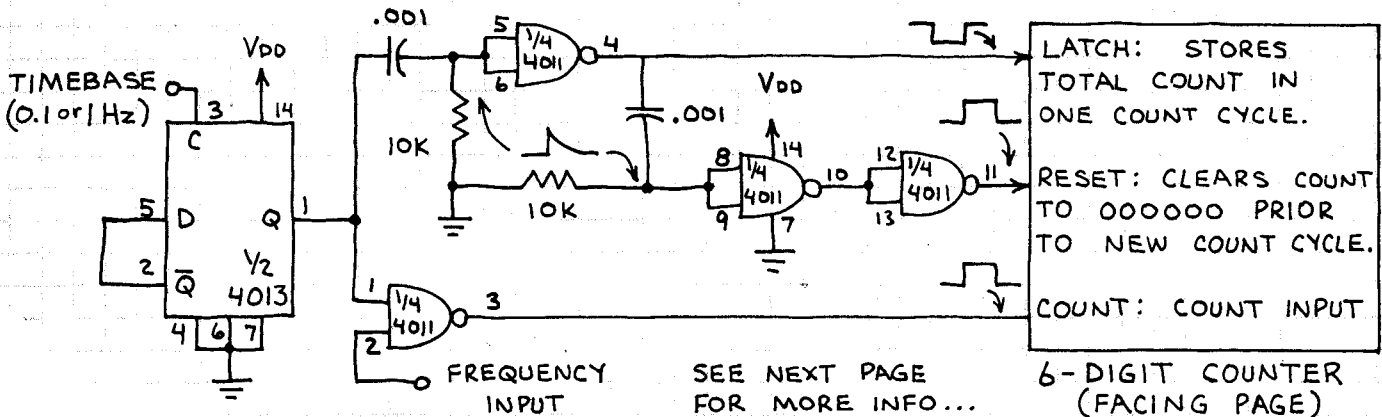


OK TO USE LIQUID CRYSTAL DISPLAY OR COMMON CATHODE LED DISPLAY. SEE 14543 FOR DETAILS.

SELECT R1-R7 SO LED CURRENT DOES NOT EXCEED 10mA.

COMMON ANODE LED DISPLAYS. USE MULTI-DIGIT DISPLAY OR WIRE TOGETHER MATCHING CATHODES OF 3 DISPLAYS.

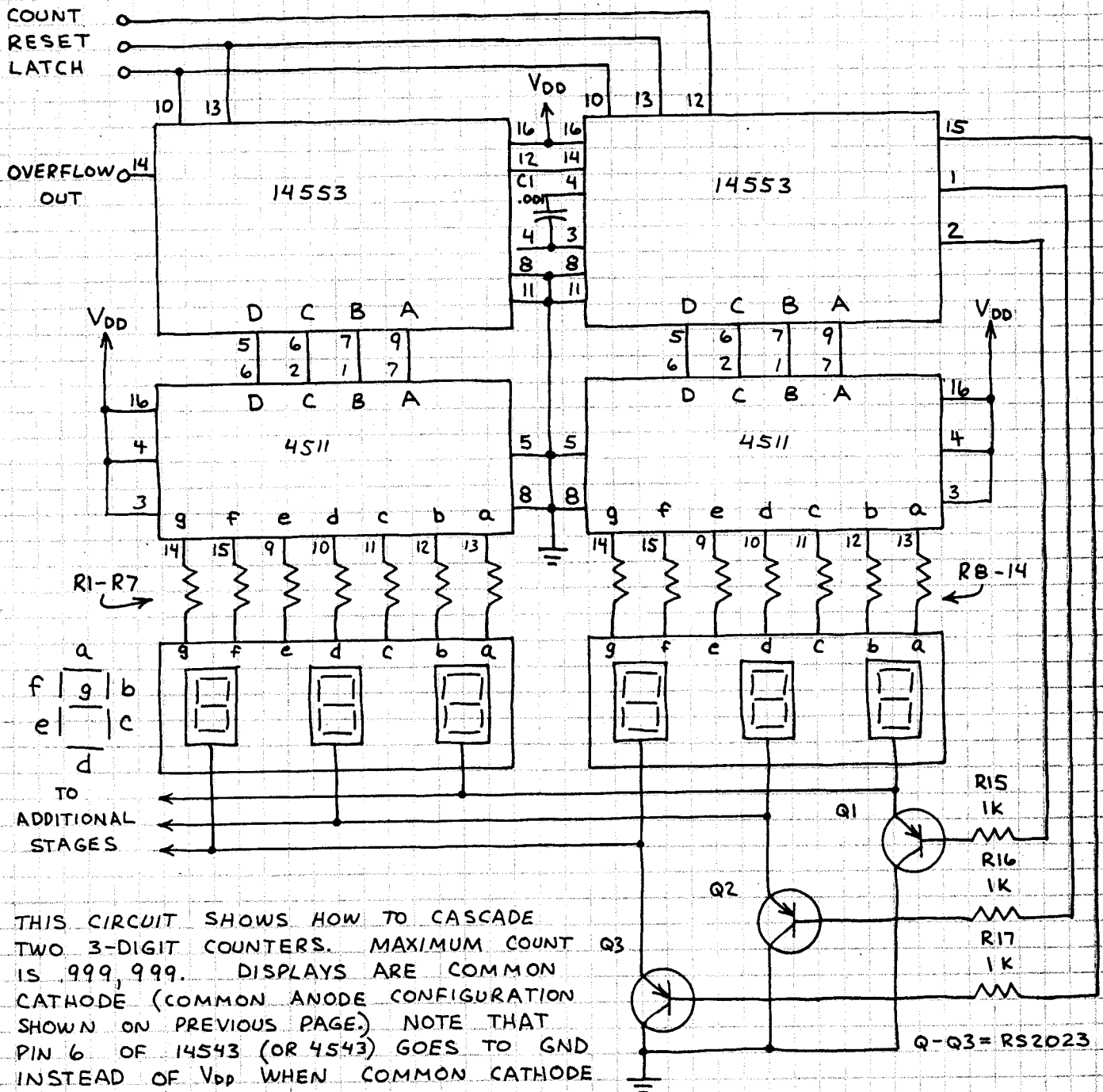
6-DIGIT FREQUENCY COUNTER



3-DIGIT BCD COUNTER (CONTINUED)

MC14553

6-DIGIT COUNTER

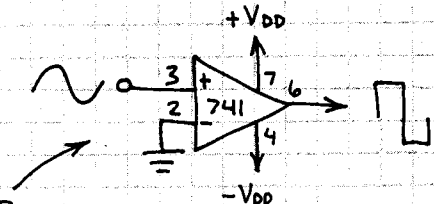


THIS CIRCUIT SHOWS HOW TO CASCADE TWO 3-DIGIT COUNTERS. MAXIMUM COUNT IS 999,999. DISPLAYS ARE COMMON CATHODE (COMMON ANODE CONFIGURATION SHOWN ON PREVIOUS PAGE). NOTE THAT PIN 6 OF 14543 (OR 4543) GOES TO GND INSTEAD OF V_{DD} WHEN COMMON CATHODE DISPLAY IS USED.

FREQUENCY COUNTER:

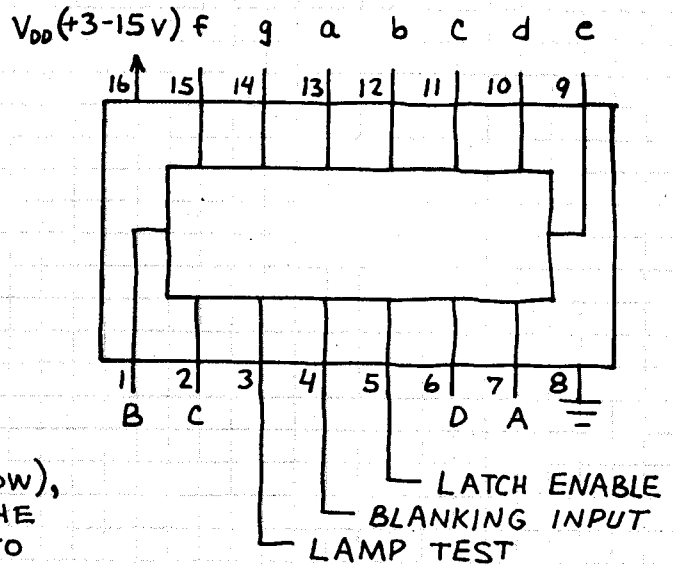
USE INPUT AND CONTROL CIRCUIT ON PREVIOUS PAGE. INPUT FREQUENCY SHOULD NOT EXCEED V_{DD} . NON-SQUARE WAVE INPUTS MAY REQUIRE INPUT TAILORING. USE COMPARATOR TO SHARPEN SLOW RISING WAVES.

INPUT BUFFER



BCD-TO-7-SEGMENT LATCH/DECODER/DRIVER 4511

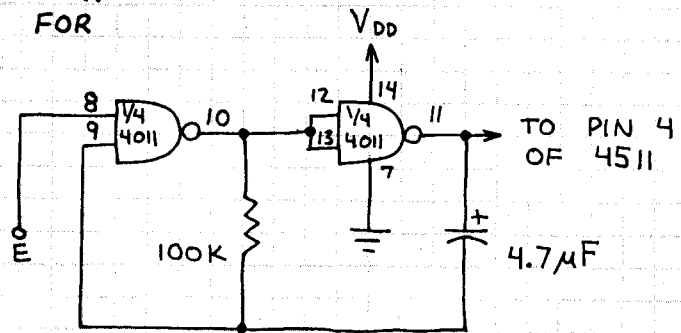
CONVERTS BCD DATA INTO FORMAT SUITABLE FOR PRODUCING DECIMAL DIGITS ON 7-SEGMENT LED DISPLAY. INCLUDES BUILT-IN 4-BIT LATCH TO STORE DATA TO BE DISPLAYED (WHEN PIN 5 IS HIGH). WHEN LATCH IS NOT USED (PINS 5 LOW), THE 7-SEGMENT OUTPUTS FOLLOW THE BCD INPUTS. MAKE PIN 4 LOW TO EXTINGUISH THE DISPLAY AND HIGH FOR NORMAL OPERATION. MAKE PIN 3 LOW TO TEST THE DISPLAY AND HIGH FOR NORMAL OPERATION.



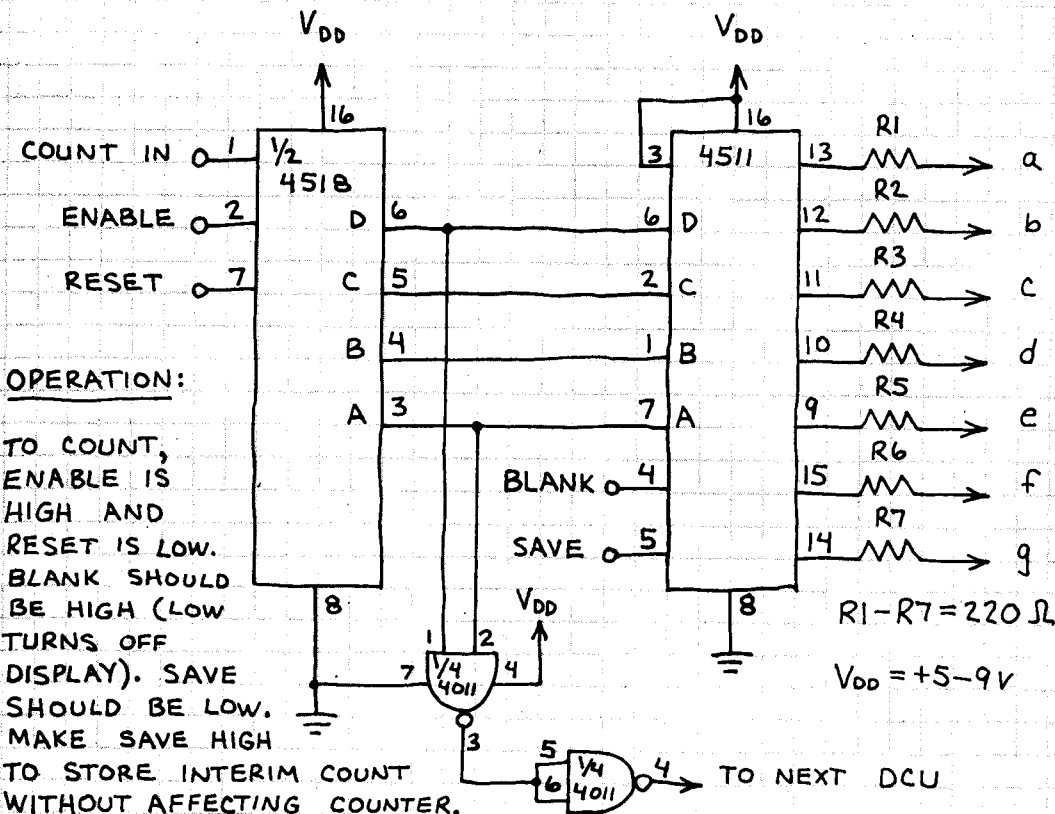
DISPLAY FLASHER

DISPLAY FLASHES ONCE PER SECOND WHEN E IS HIGH.

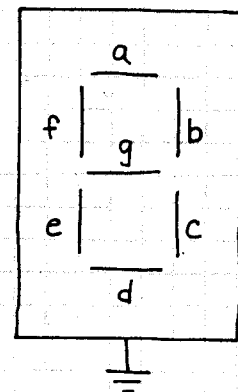
E	DISPLAY
H	FLASHES
L	OFF



DECIMAL COUNTING UNIT (DCU)



IMPORTANT: ALL INPUTS MUST GO SOMEWHERE!



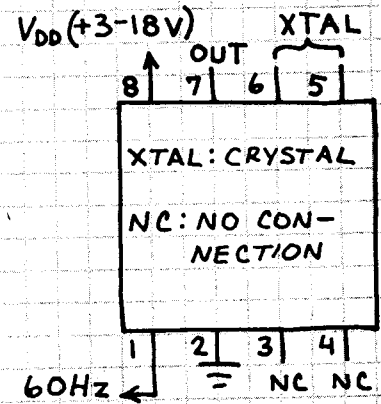
COMMON CATHODE LED DISPLAY

OPERATION:

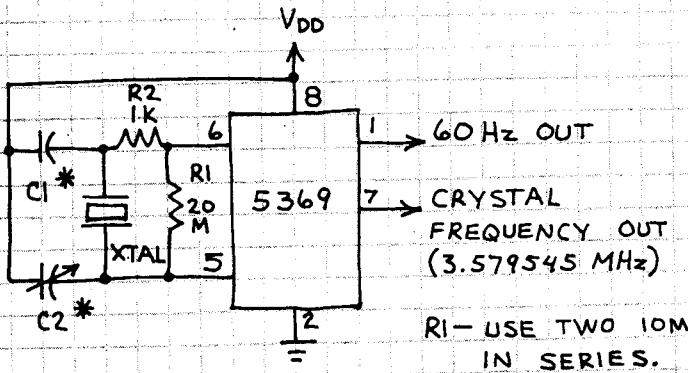
TO COUNT, ENABLE IS HIGH AND RESET IS LOW. BLANK SHOULD BE HIGH (LOW TURNS OFF DISPLAY). SAVE SHOULD BE LOW. MAKE SAVE HIGH TO STORE INTERIM COUNT WITHOUT AFFECTING COUNTER.

60-Hz TIMEBASE MM5369 (276-1769)

PROVIDES PRECISE 60 Hz SQUARE WAVE WHEN USED WITH 3.579545 MHz COLOR TV CRYSTAL. USE FOR MOST DO-IT-YOURSELF TIMERS, CLOCKS, CONTROLLERS, FUNCTION GENERATORS. INSTALL IN SMALL CABINET FOR WORKBENCH PRECISION CLOCK.

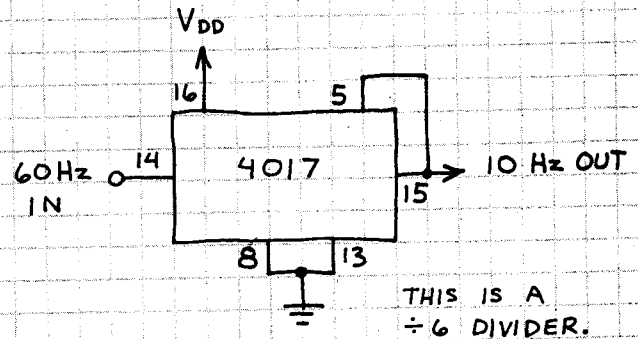


60-Hz TIMEBASE

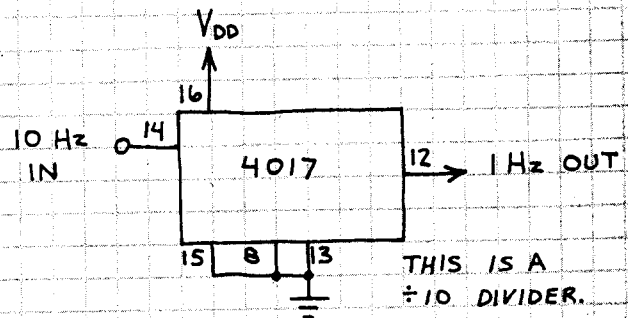


* MOTOROLA SPECIFIES THAT $C1 = 30\text{ pF}$ AND $C2 = 6.36\text{ pF}$. OK TO USE SIX 4.7 pF CAPACITORS IN PARALLEL OR 47 pF CAPACITOR FOR $C1$. TRY TUNABLE CAPACITOR (e.g. $5-50\text{ pF}$) FOR $C2$. TO TUNE, CONNECT FREQUENCY METER TO PIN 7. TUNE $C2$ UNTIL FREQUENCY IS $3,579,545\text{ Hz}$. ACCURACY FAIRLY GOOD EVEN IF YOU DON'T TUNE $C2$.

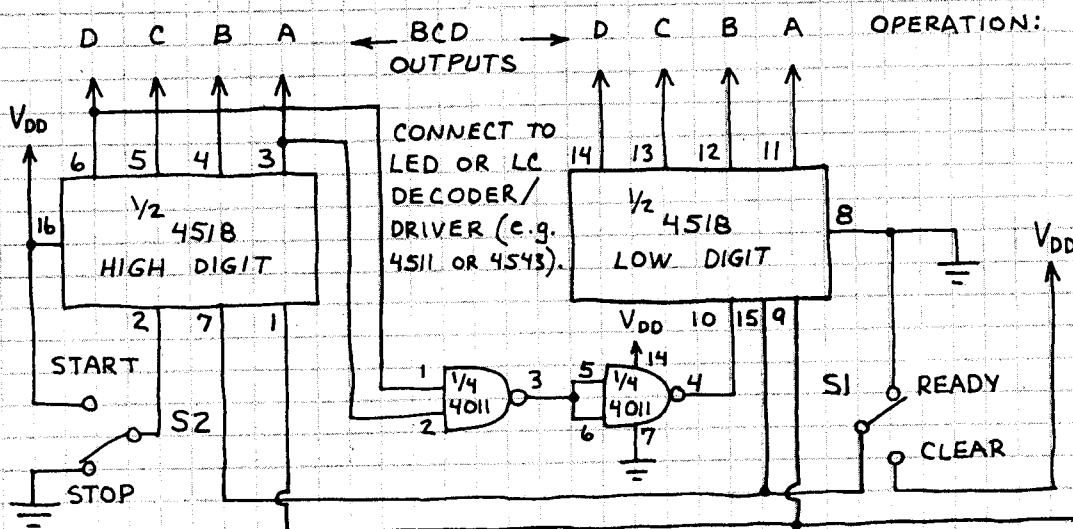
10-Hz TIMEBASE



1-Hz TIMEBASE



DIGITAL STOPWATCH

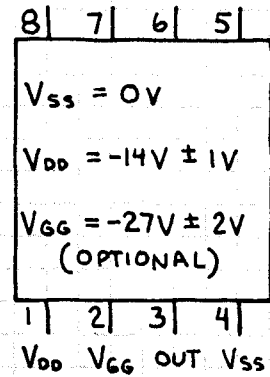


OPERATION: 1. TOGGLE S1 FROM CLEAR TO READY. 2. SWITCH S2 FROM STOP TO START. 3. SWITCH S2 FROM START TO STOP.

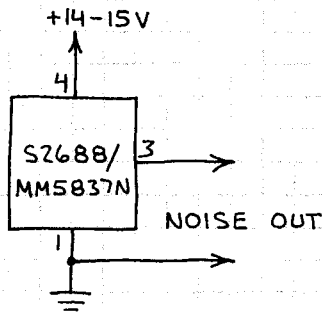
1 Hz = 00-99 SEC
10 Hz = 0.0-9.9 SEC
OK TO ADD MORE STAGES.

NOISE GENERATOR S2688 / MM5837N

PRODUCES BROADBAND WHITE NOISE FOR AUDIO AND OTHER APPLICATIONS. THE NOISE QUALITY IS VERY UNIFORM. IT IS PRODUCED BY A 17-BIT SHIFT REGISTER WHICH IS CLOCKED BY AN INTERNAL OSCILLATOR.

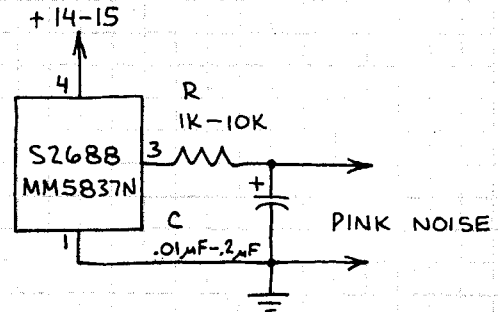


WHITE NOISE SOURCE



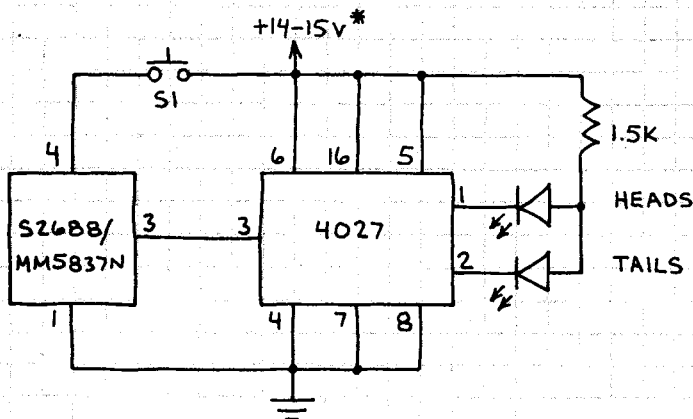
CONNECT OUTPUT TO AUDIO AMPLIFIER TO HEAR NOISE. USE 7815 VOLTAGE REGULATOR TO OBTAIN +15 VOLTS.

PINK NOISE SOURCE



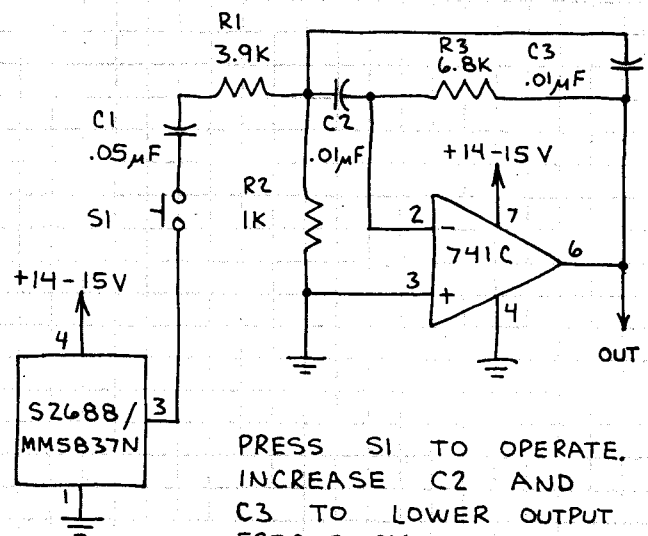
CHANGE R AND C TO ALTER NOISE SPECTRUM. ALSO, TRY LOWER SUPPLY VOLTAGES TO CHANGE SPECTRUM.

COIN TOSSER



PRESS S1; BOTH LEDS GLOW. RELEASE S1 AND ONLY ONE GLOWS. GROUND INPUTS OF UNUSED HALF OF 4027 (PINS 9,10,11,12 AND 13). *(OK TO USE 9-VOLT BATTERY AS POWER SUPPLY.)

SNARE / BRUSH NOISE

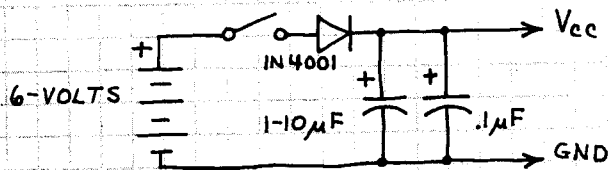


PRESS S1 TO OPERATE. INCREASE C2 AND C3 TO LOWER OUTPUT FREQUENCY.

TTL/LS INTEGRATED CIRCUITS

INTRODUCTION

TTL IS THE BEST ESTABLISHED AND MOST DIVERSIFIED IC FAMILY. LS IS FUNCTIONALLY IDENTICAL TO TTL BUT IS SLIGHTLY FASTER AND USES 80% LESS POWER. TTL/LS CHIPS REQUIRE A REGULATED 4.75-5.25 VOLT POWER SUPPLY. HERE'S A SIMPLE BATTERY SUPPLY:



THE DIODE DROPS THE BATTERY VOLTAGE TO A SAFE LEVEL. BOTH CAPACITORS SHOULD BE INSTALLED ON THE TTL/LS CIRCUIT BOARD. CIRCUITS WITH LOTS OF TTL/LS CHIPS CAN USE LOTS OF CURRENT. USE A COMMERCIAL 5 VOLT LINE POWERED SUPPLY TO SAVE BATTERIES. OR MAKE YOUR OWN. (SEE THE 7805 ON PAGE 94.)

OPERATING REQUIREMENTS

1. V_{cc} MUST NOT EXCEED 5.25 VOLTS.
2. INPUT SIGNALS MUST NEVER EXCEED V_{cc} AND SHOULD NOT FALL BELOW GND.
3. UNCONNECTED TTL/LS INPUTS USUALLY ASSUME THE H STATE ... BUT DON'T COUNT ON IT! IF AN INPUT IS SUPPOSED TO BE FIXED AT H, CONNECT IT TO V_{cc} .
4. IF AN INPUT IS SUPPOSED TO BE FIXED AT L, CONNECT IT TO GND.
5. CONNECT UNUSED AND/NAND/OR INPUTS TO A USED INPUT OF THE SAME CHIP.
6. FORCE OUTPUTS OF UNUSED GATES H TO SAVE CURRENT (NAND—ONE INPUT H; NOR—ALL INPUTS L).

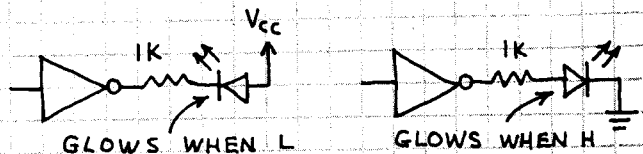
7. USE AT LEAST ONE DECOUPLING CAPACITOR (0.01-0.1 μ F) FOR EVERY 5-10 GATE PACKAGES, ONE FOR EVERY 2-5 COUNTERS AND REGISTERS AND ONE FOR EACH ONE-SHOT. DECOUPLING CAPACITORS NEUTRALIZE THE HEFTY POWER SUPPLY SPIKES THAT OCCUR WHEN A TTL/LS OUTPUT CHANGES STATES. THEY MUST HAVE SHORT LEADS AND BE CONNECTED FROM V_{cc} TO GND AS NEAR THE TTL/LS ICs AS POSSIBLE.

8. AVOID LONG WIRES WITHIN CIRCUITS

9. IF THE POWER SUPPLY IS NOT ON THE CIRCUIT BOARD, CONNECT A 1-10 μ F CAPACITOR ACROSS THE POWER LEADS WHERE THEY ARRIVE AT THE BOARD.

INTERFACING TTL/LS

1. 1 TTL OUTPUT WILL DRIVE UP TO 10 TTL OR 20 LS INPUTS.
2. 1 LS OUTPUT WILL DRIVE UP TO 5 TTL OR 10 LS INPUTS.
3. TTL/LS LED DRIVERS:

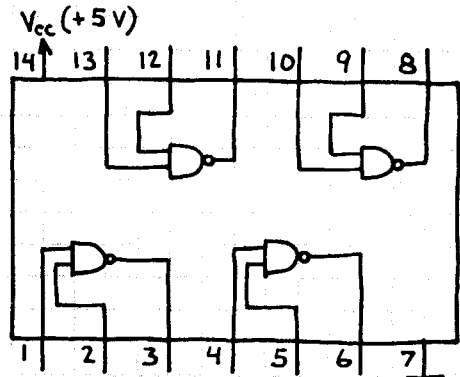


TTL/LS TROUBLESHOOTING

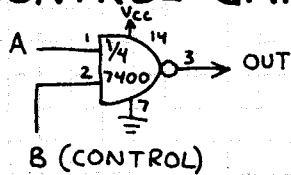
1. DO ALL INPUTS GO SOMEWHERE?
2. ARE ALL IC PINS INSERTED INTO THE BOARD OR SOCKET?
3. DOES THE CIRCUIT OBEY ALL TTL/LS OPERATING REQUIREMENTS?
4. HAVE YOU FORGOTTEN A CONNECTION?
5. HAVE YOU USED ENOUGH DECOUPLING CAPACITORS? ARE THEIR LEADS SHORT?
6. IS V_{cc} AT EACH CHIP WITHIN RANGE?

QUAD NAND GATE 7400/74LS00

THE BASIC BUILDING BLOCK CHIP FOR THE ENTIRE TTL FAMILY. VERY EASY TO USE. HUNDREDS OF APPLICATIONS.

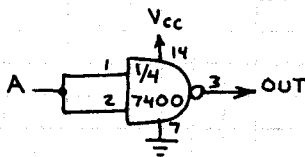


CONTROL GATE



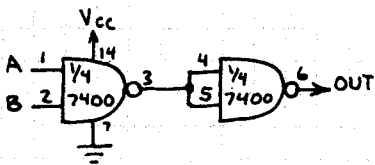
A	B	OUT
L	L	H
L	H	H
H	L	H
H	H	L

INVERTER



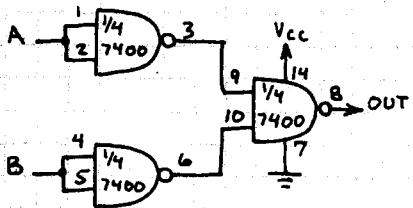
A	OUT
L	H
H	L

AND GATE



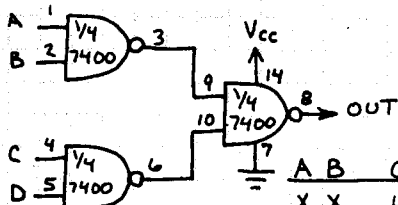
A	B	OUT
L	L	L
L	H	L
H	L	L
H	H	H

OR GATE



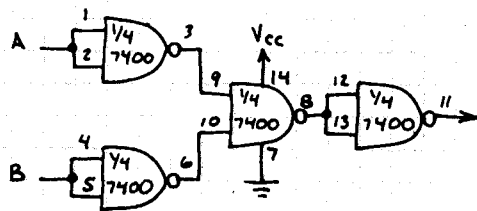
A	B	OUT
L	L	L
L	H	H
H	L	H
H	H	H

AND-OR GATE



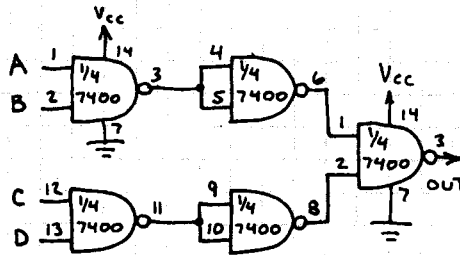
A	B	C	D	OUT
X	X	H	H	H
H	H	X	X	H
H	H	H	H	H

NOR GATE



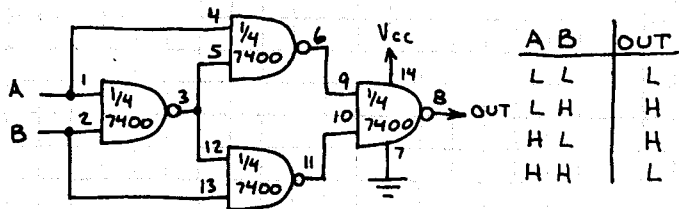
A	B	OUT
L	L	H
L	H	L
H	L	L
H	H	L

4-INPUT NAND GATE



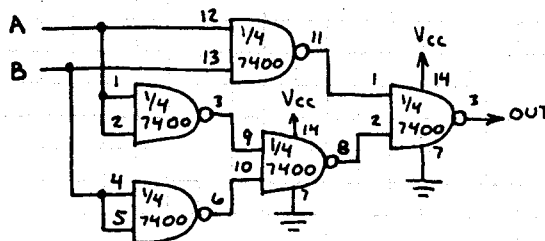
A	B	C	D	OUT
L	X	X	X	H
X	L	X	X	H
X	X	L	X	H
X	X	X	L	H
H	H	H	H	L

EXCLUSIVE-OR GATE



A	B	OUT
L	L	L
L	H	H
H	L	H
H	H	L

EXCLUSIVE-NOR GATE



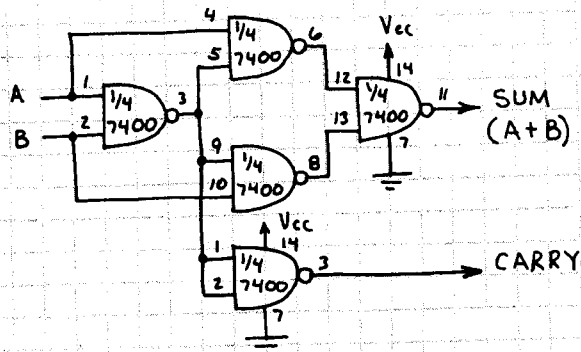
A	B	OUT
L	L	H
L	H	L
H	L	L
H	H	H

NOTE: PIN NUMBERS CAN BE REARRANGED IF DESIRED.

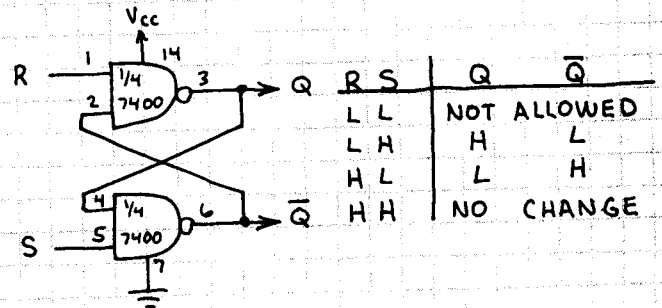
QUAD NAND GATE (CONTINUED)

7400/74LS00

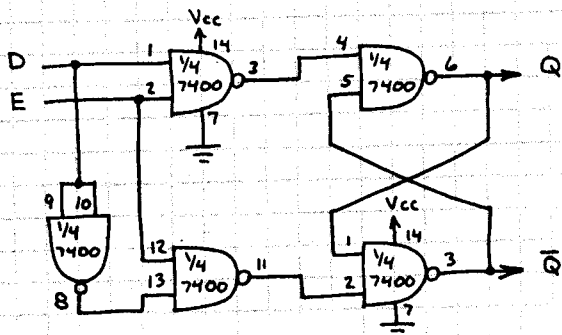
HALF ADDER



RS LATCH

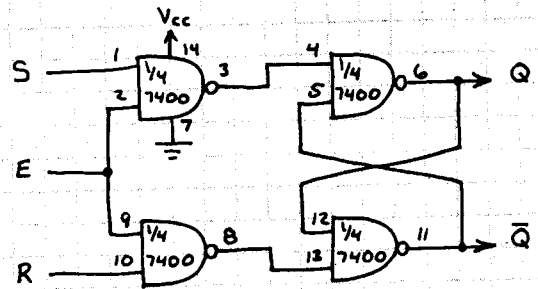


D FLIP-FLOP



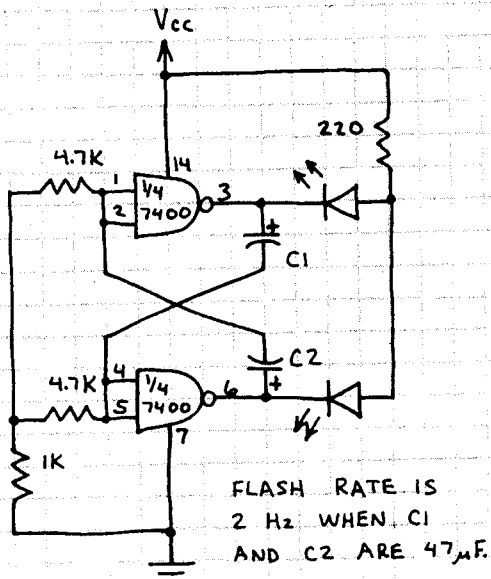
WHEN ENABLE (E) INPUT IS HIGH, Q OUTPUT FOLLOWS D INPUT. NO CHANGE WHEN E IS LOW.

GATED RS LATCH

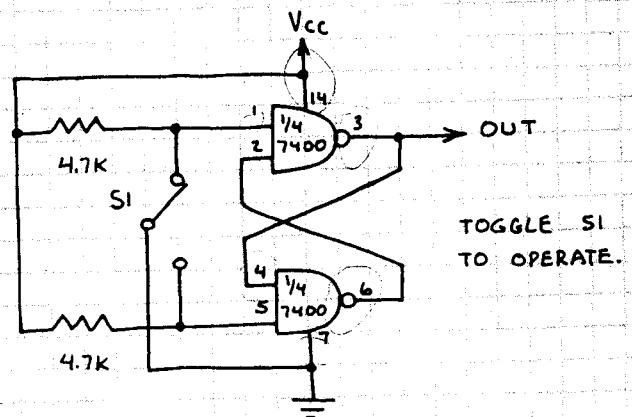


FUNCTIONS AS RS LATCH WHEN ENABLE (E) INPUT IS HIGH. IGNORES RS INPUTS WHEN E IS LOW.

LED DUAL FLASHER



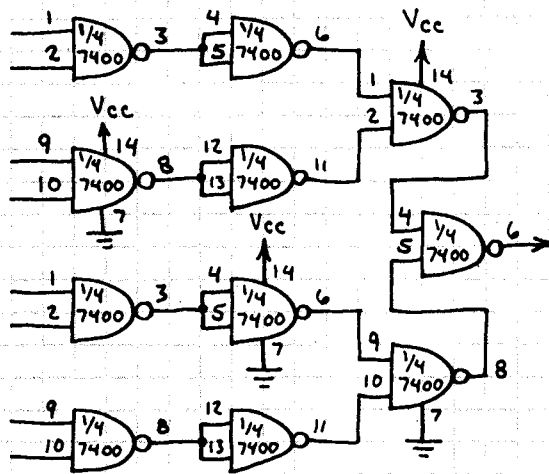
SWITCH DEBOUNCER



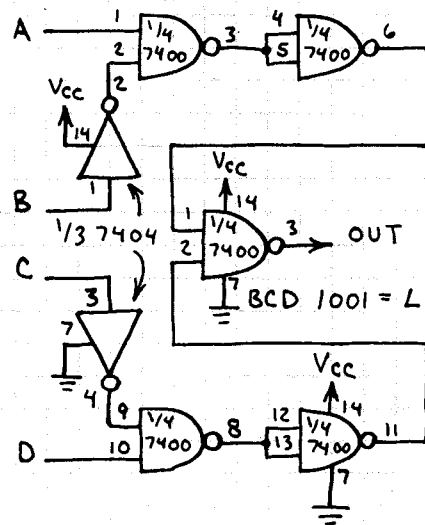
PROVIDES NOISE FREE OUTPUT FROM STANDARD SPDT TOGGLE SWITCH.

QUAD NAND GATE (CONTINUED) 7400/74LS00

8-INPUT NAND GATE



BCD DECODER

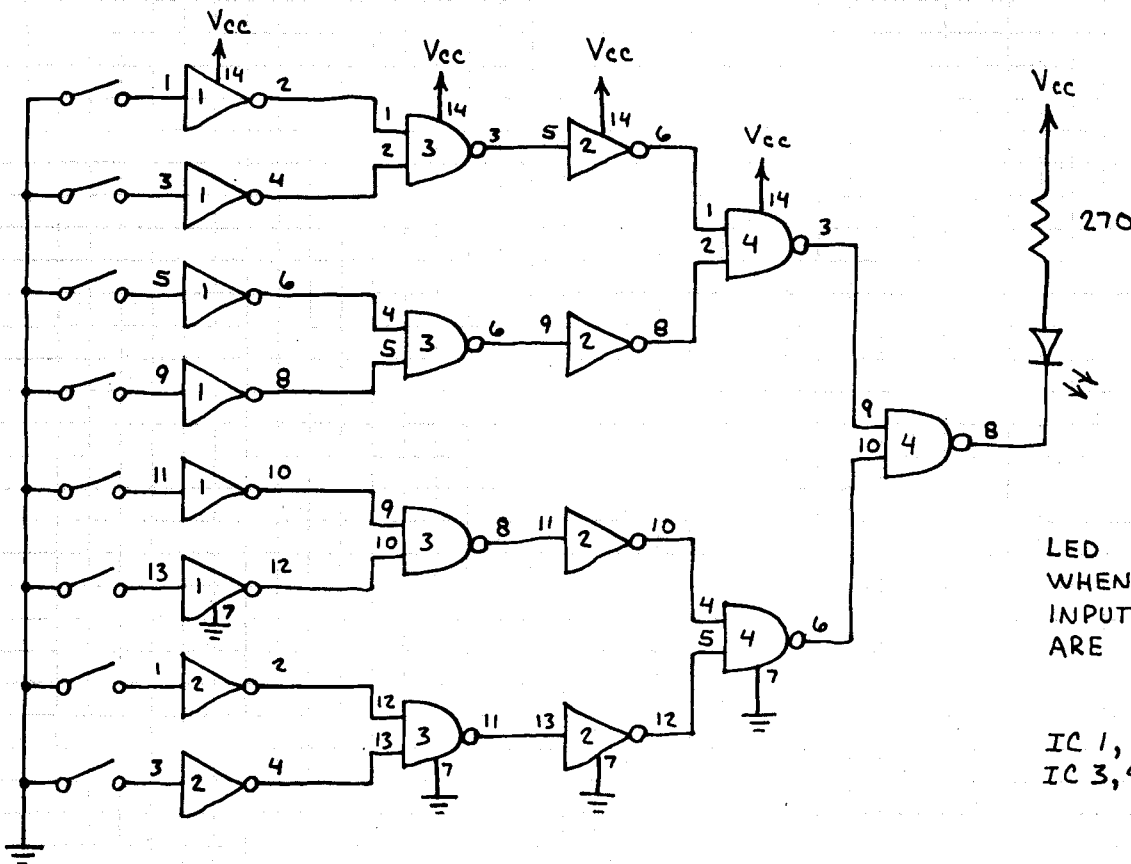


A	B	C	D	OUT
H	L	L	H	L
X	X	X	X	H

USE THIS METHOD TO DECODE ANY 4-BIT NIBBLE. JUST ADD OR REMOVE INPUT INVERTERS.

IC 1, 2 = 7400/74LS00

UNANIMOUS VOTE DETECTOR

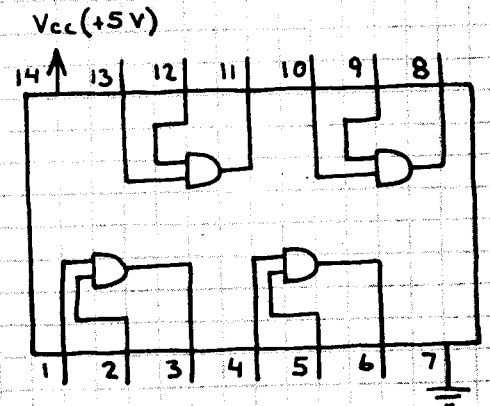


LED GLOWS WHEN ALL INPUT SWITCHES ARE CLOSED.

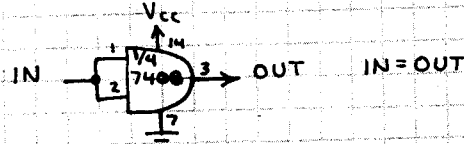
IC 1, 2 = 7404
IC 3, 4 = 7400/
74LS00

QUAD AND GATE 7408/74LS08

ONE OF THE BASIC BUILDING BLOCK CHIPS. NOT AS VERSATILE, HOWEVER, AS THE 7400/74LS00 QUAD NAND GATE.

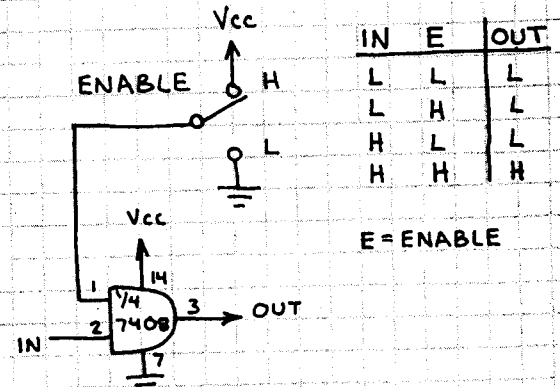


AND GATE BUFFER

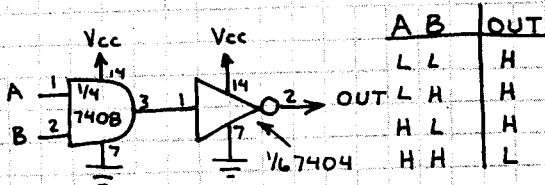


USE FOR INTERFACING WITHOUT CHANGING LOGIC STATES.

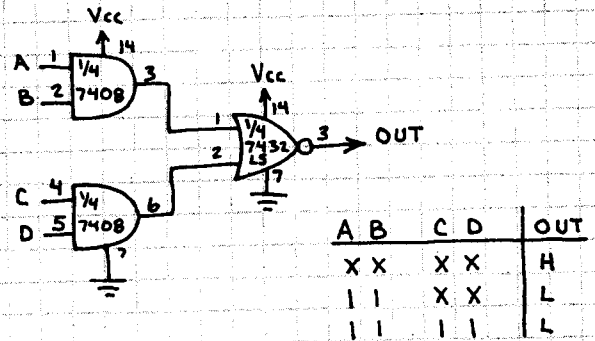
DIGITAL TRANSMISSION GATE



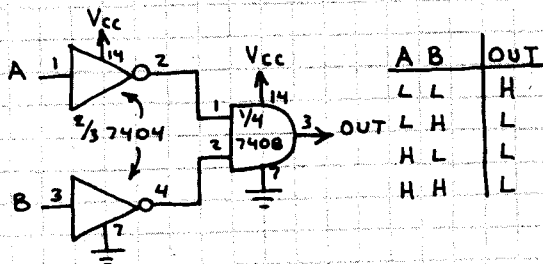
NAND GATE



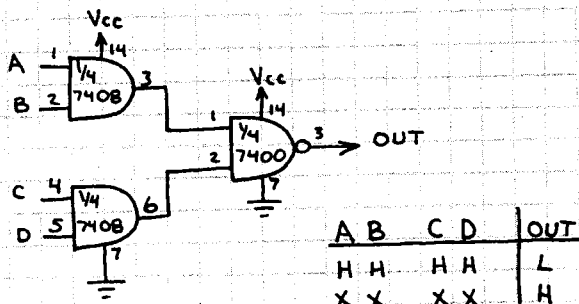
AND-OR-INVERT GATE



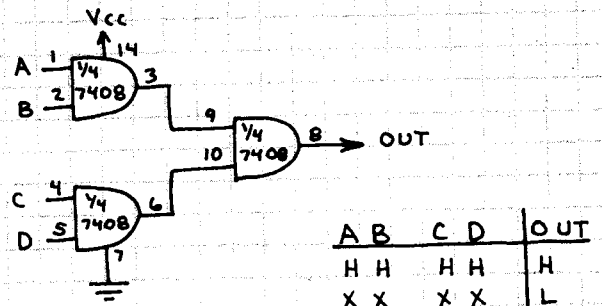
NOR GATE



4-INPUT NAND GATE

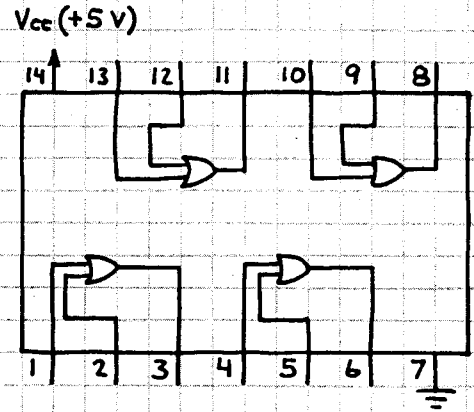


4-INPUT AND GATE

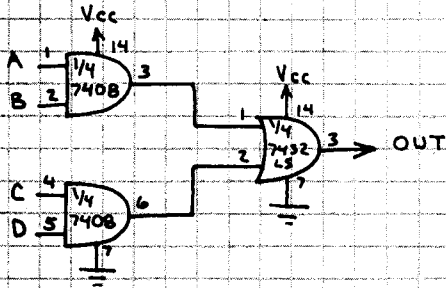


QUAD OR GATE 74LS32

FOUR 2-INPUT OR GATES.
NOT AS VERSATILE AS 7402/
74LS02 QUAD NOR GATE,
BUT VERY USEFUL IN SIMPLE
DATA SELECTORS.

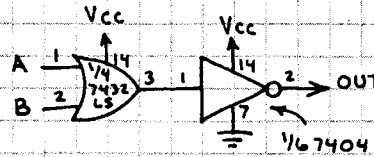


AND-OR CIRCUIT



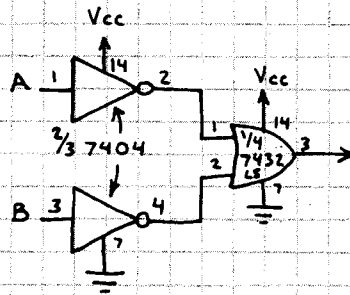
OUTPUT GOES HIGH WHEN BOTH
INPUTS OF EITHER OR BOTH AND
GATES ARE HIGH; OTHERWISE
THE OUTPUT IS LOW. THIS BASIC
CIRCUIT IS USED TO MAKE
DATA SELECTORS... AS SHOWN
BELOW

NOR GATE



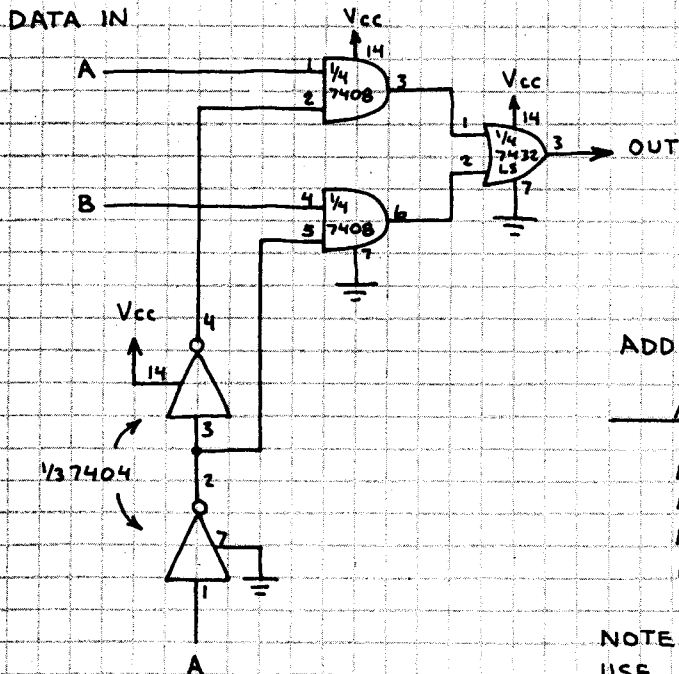
A	B	OUT
L	L	H
L	H	L
H	L	L
H	H	L

NAND GATE



A	B	OUT
L	L	H
L	H	H
H	L	H
H	H	L

2-INPUT DATA SELECTOR



SELECTS 1-OF-2 INPUTS
AND TRANSMITS ITS
LOGIC STATE TO THE
OUTPUT.

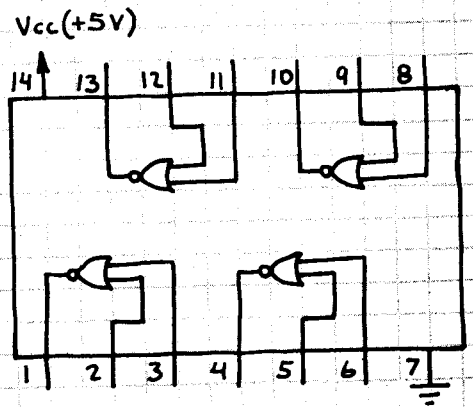
ADDRESS	DATA IN		OUT
	B	A	
L	X	L	L
L	X	H	H
H	L	X	L
H	H	X	H

NOTE: FOR 3-INPUT DATA SELECTOR,
USE 74LS27 NOR GATE FOLLOWED
BY INVERTER AND PRECEDED BY
74LS10 3-INPUT AND GATES.

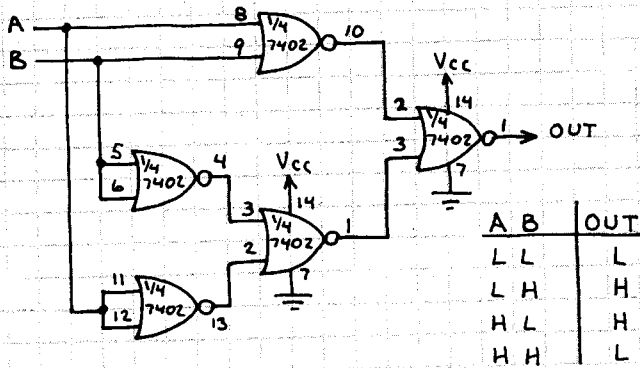
ADDRESS (DATA SELECT)

QUAD NOR GATE 7402/74LS02

JUST AS VERSATILE AS THE 7400/74LS00 QUAD NAND GATE... BUT NOT USED AS OFTEN. ADD INVERTER (7404/74LS04) TO BOTH INPUTS OF A NOR GATE AND AN AND GATE IS FORMED.

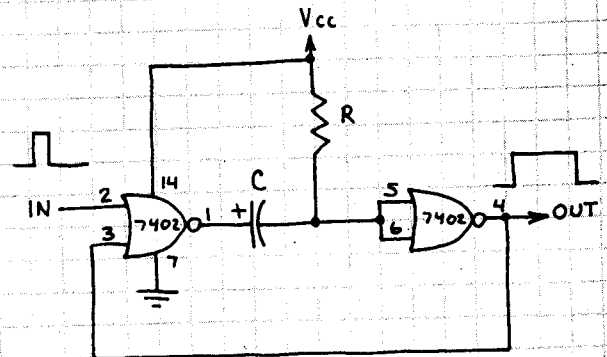


EXCLUSIVE-OR GATE



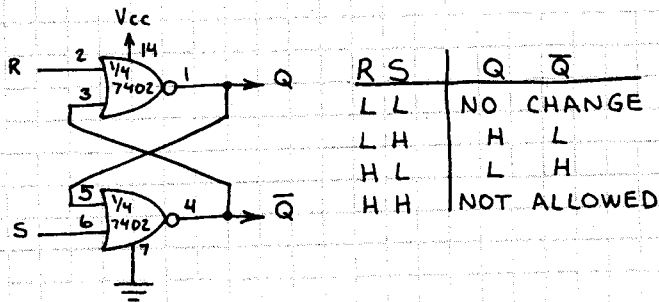
THIS CIRCUIT IS EQUIVALENT TO A BINARY HALF-ADDER.

ONE-SHOT

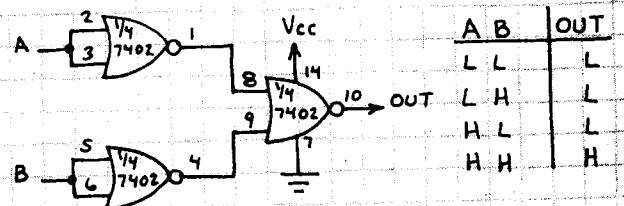


THIS CIRCUIT IS A MONOSTABLE MULTIVIBRATOR OR PULSE STRETCHER. AN INPUT PULSE TRIGGERS AN OUTPUT PULSE WITH A DURATION DETERMINED BY R AND C. OUTPUT PULSE WIDTH IS APPROXIMATELY 0.8RC.

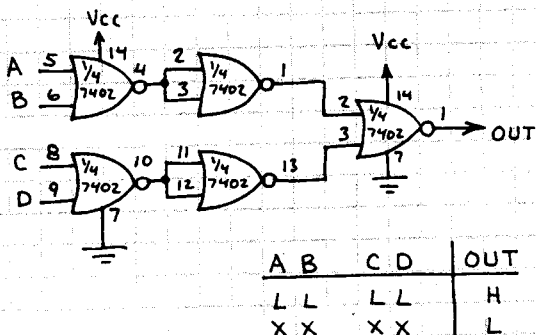
RS LATCH



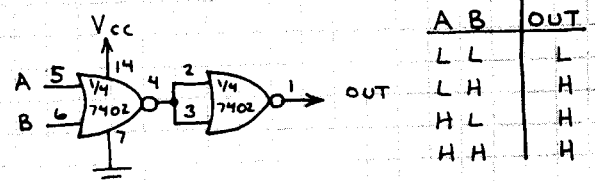
AND GATE



4-INPUT NOR GATE



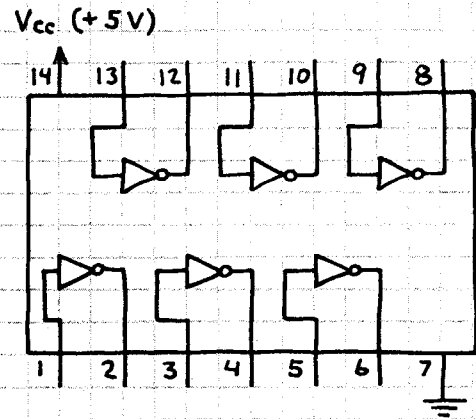
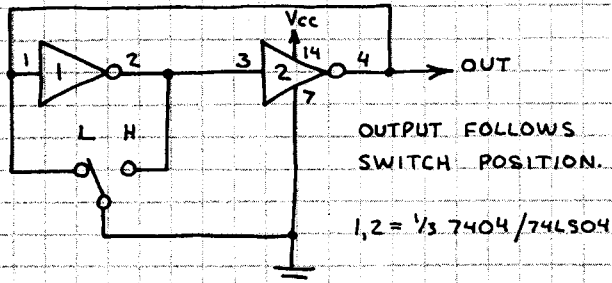
OR GATE



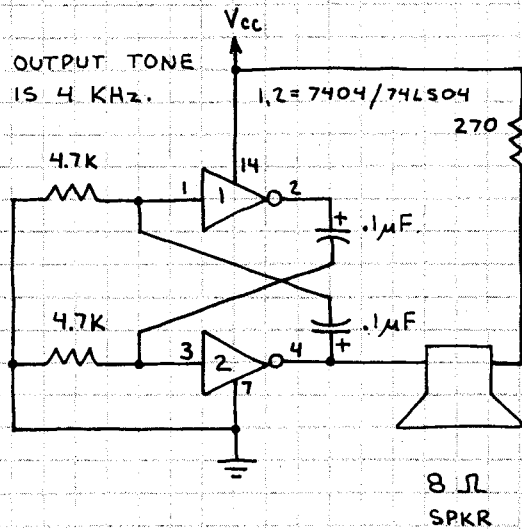
HEX INVERTER 7404/74LS04

VERY IMPORTANT IN ALMOST ALL LOGIC CIRCUITS. CHANGES AN INPUT TO ITS COMPLEMENT (i.e. $H \rightarrow L$ AND $L \rightarrow H$).

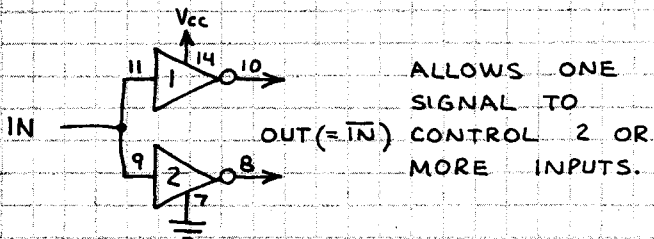
BOUNCFREE SWITCH



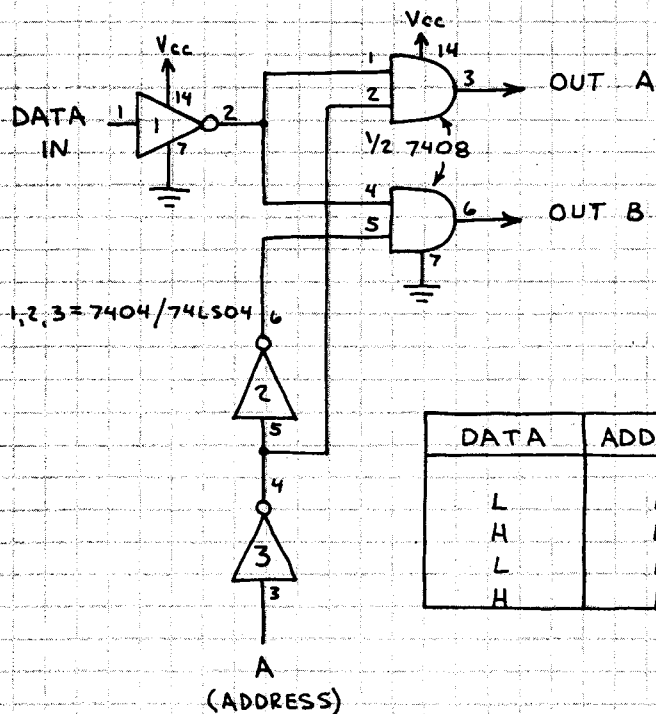
AUDIO OSCILLATOR



UNIVERSAL EXPANDER



1-OF-2 DEMULTIPLEXER



THIS CIRCUIT STEERS THE INPUT BIT TO THE OUTPUT SELECTED BY THE ADDRESS.

THIS TECHNIQUE CAN BE USED TO MAKE MULTIPLE OUTPUT DEMULTIPLEXERS.

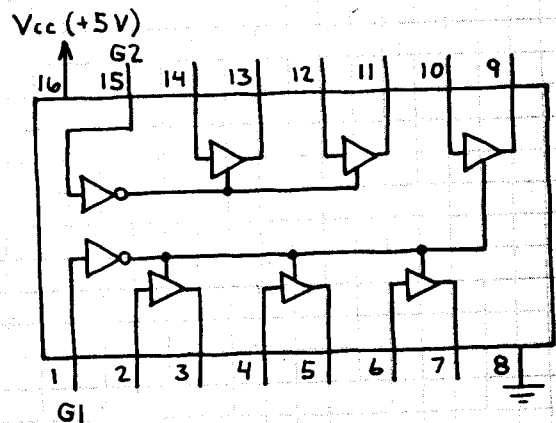
DATA	ADDRESS	OUT A	OUT B
L	L	L	H
H	L	H	H
L	H	H	L
H	H	H	H

HEX 3-STATE BUS DRIVER 74LS367

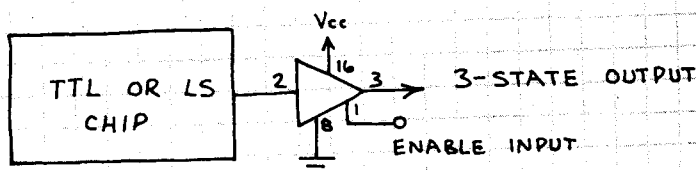
EACH GATE FUNCTIONS AS A NON-INVERTING BUFFER WHEN ITS ENABLE INPUT (G1 OR G2) IS LOW. OTHERWISE EACH GATE'S OUTPUT ENTERS THE HIGH IMPEDANCE (HI-Z) STATE.

HERE'S THE TRUTH TABLE:

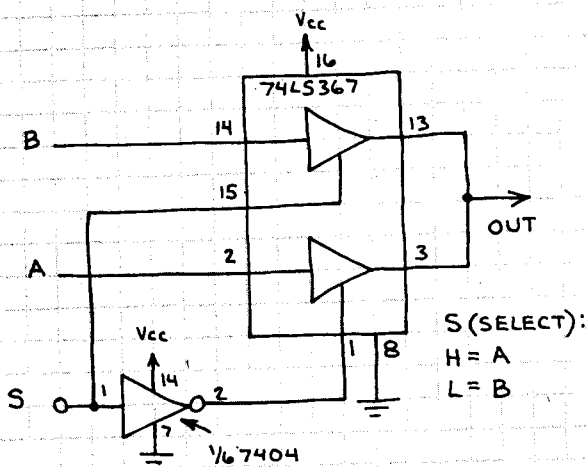
G	IN	OUT
H	X	HI-Z
L	L	L
L	H	H



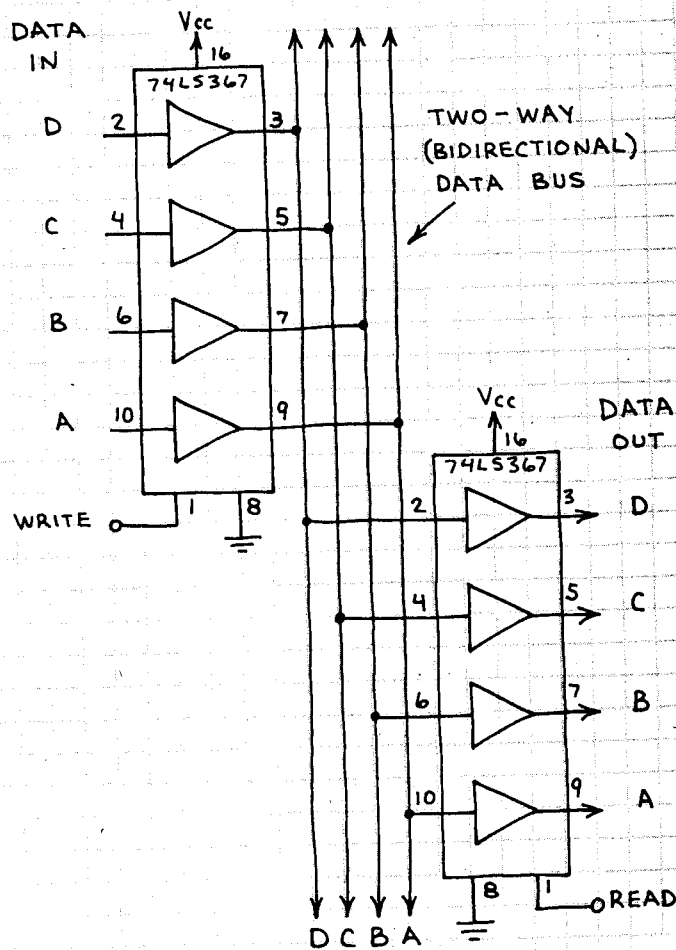
ADDING 3-STATE OUTPUT TO TTL



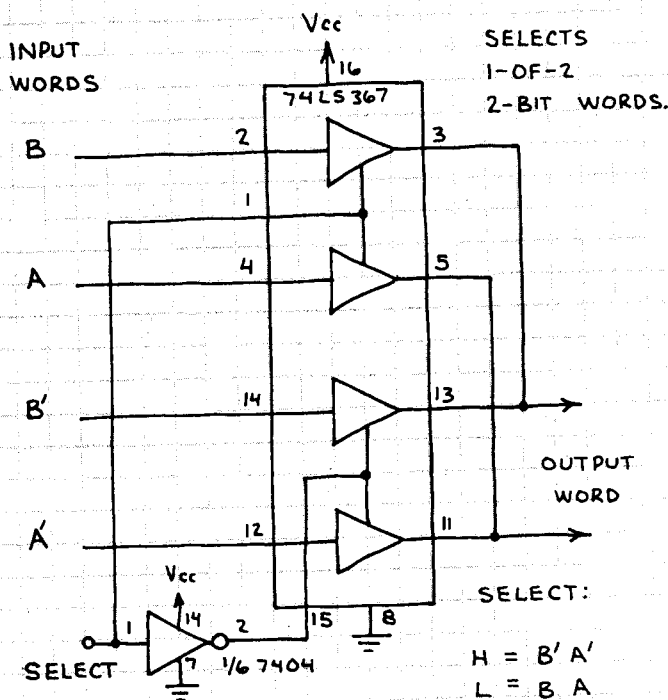
1-OF-2 DATA SELECTOR



BIDIRECTIONAL DATA BUS



1-OF-2 DATA SELECTOR

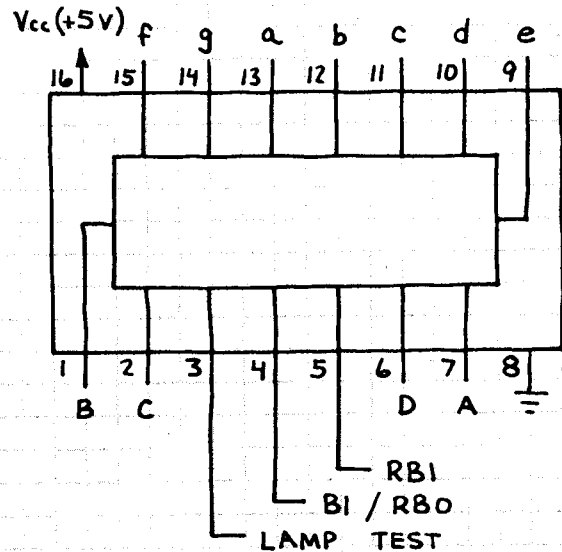


BCD-TO-7 SEGMENT DECODER / DRIVER

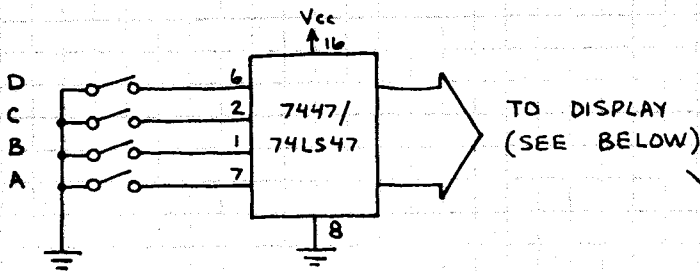
7447 / 74LS47

CONVERTS BCD DATA INTO FORMAT SUITABLE FOR PRODUCING DECIMAL DIGITS ON COMMON ANODE LED 7-SEGMENT DISPLAY.

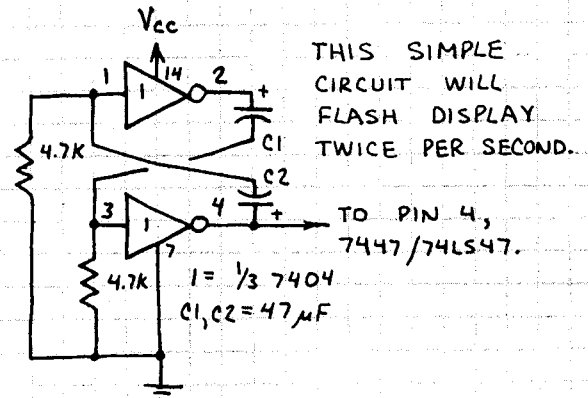
WHEN LAMP TEST INPUT IS LOW, ALL OUTPUTS ARE LOW (ON). WHEN BI/RBO (BLANKING INPUT) IS LOW, ALL OUTPUTS ARE HIGH (OFF). WHEN DCBA INPUT IS LLLL (DECIMAL 0) AND RBI (RIPPLE BLANKING INPUT) IS LOW, ALL OUTPUTS ARE HIGH (OFF). THIS PERMITS UNWANTED LEADING 0'S IN A ROW OF DIGITS TO BE BLANKED.



MANUALLY SWITCHED DISPLAY

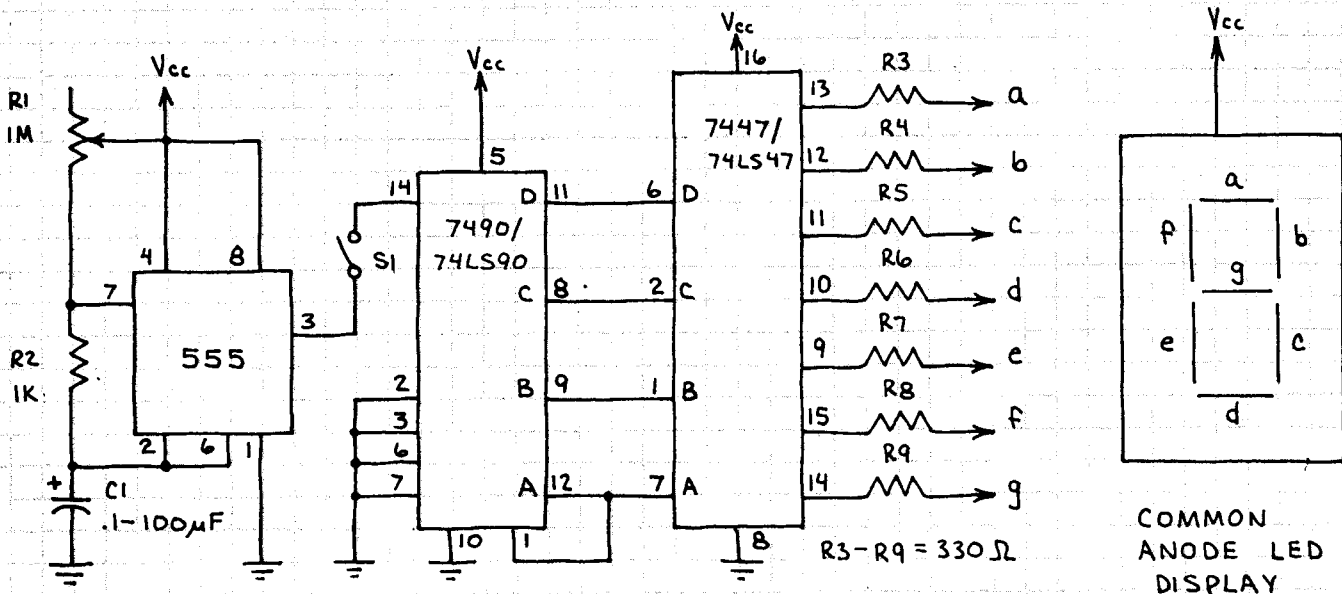


DISPLAY FLASHER



THIS SIMPLE CIRCUIT WILL FLASH DISPLAY TWICE PER SECOND.

0-9 SECOND / MINUTE TIMER

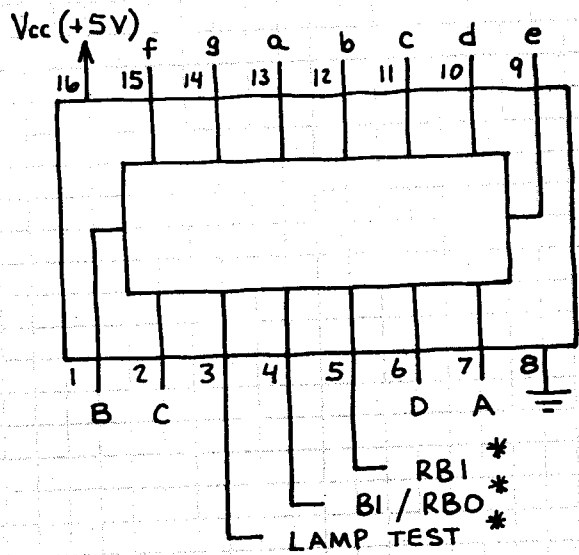


COMMON ANODE LED DISPLAY

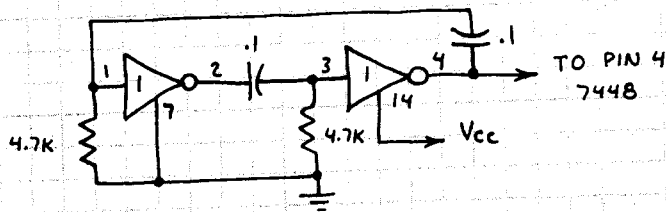
CLOSE S1 TO START TIMING CYCLE. CALIBRATE 555 FOR 1 PULSE (COUNT) PER SECOND OR 1 COUNT PER MINUTE BY ADJUSTING R1.

BCD-TO-7-SEGMENT DECODER / DRIVER 7448

CONVERTS BCD DATA INTO
FORMAT SUITABLE FOR PRODUCING
DECIMAL DIGITS ON COMMON
CATHODE LED 7-SEGMENT DISPLAY.



DISPLAY DIMMER

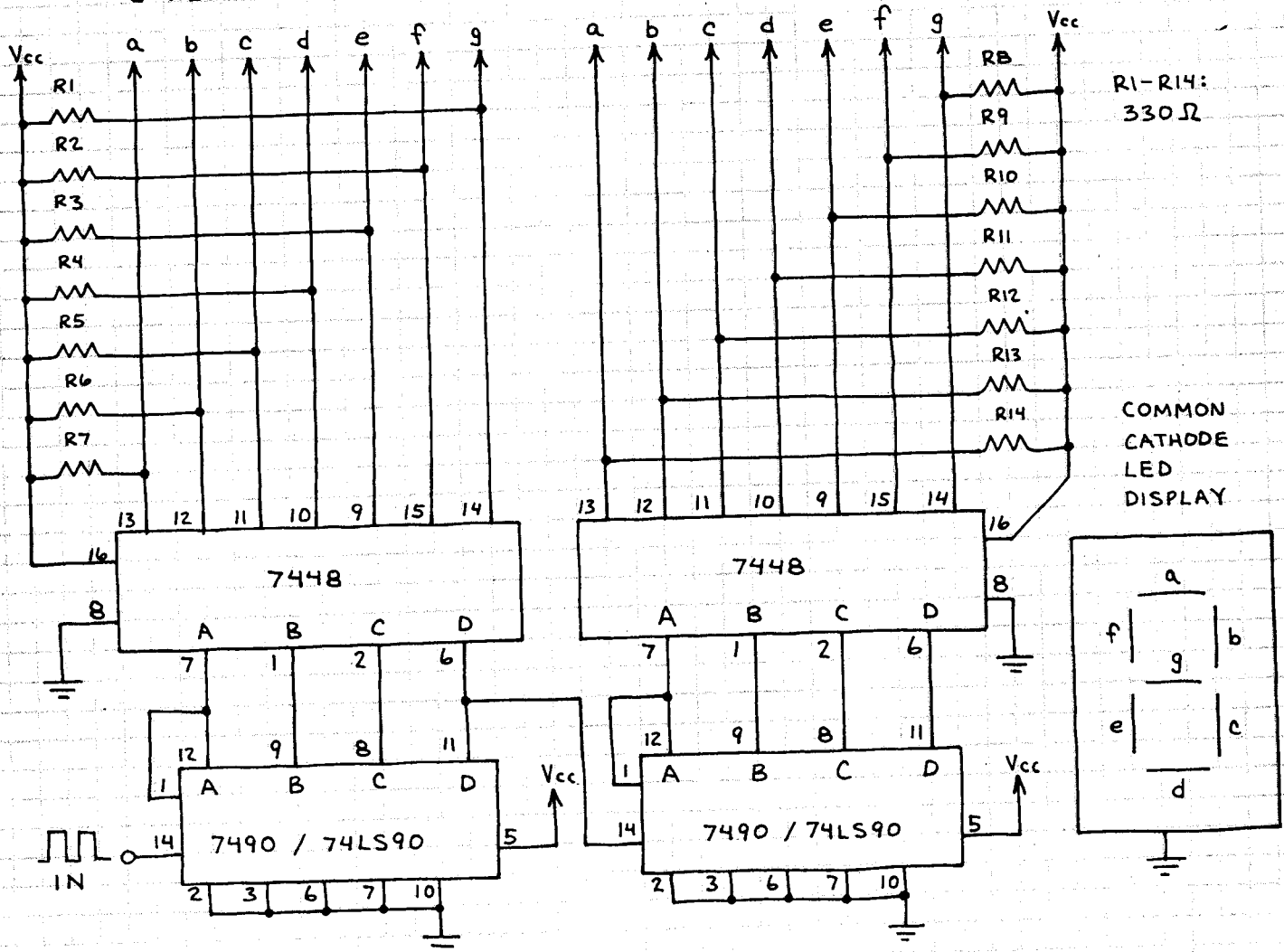


*SEE 7447 FOR
EXPLANATIONS.

0-99 TWO DIGIT COUNTER

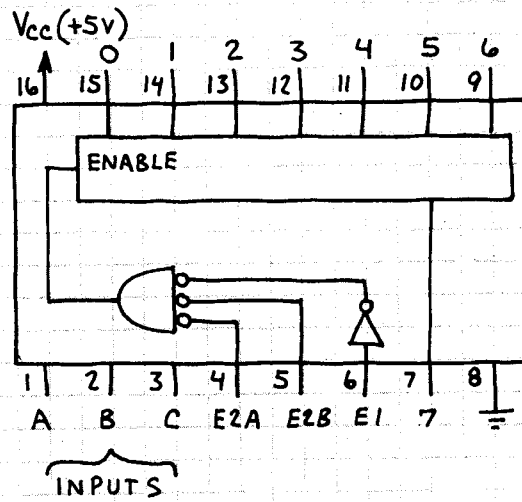
LOWEST ORDER DISPLAY

HIGHEST ORDER DISPLAY

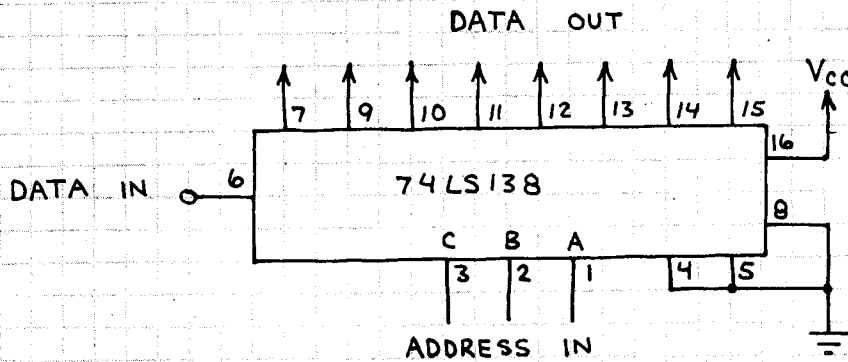


3-LINE TO 8-LINE DECODER 74LS138

EACH 3-BIT ADDRESS DRIVES ONE OUTPUT LOW. ALL OTHERS STAY HIGH. THIS CHIP HAS THREE ENABLE INPUTS. WHEN E2 IS HIGH, ALL OUTPUTS ARE HIGH. WHEN E1 IS LOW, ALL OUTPUTS ARE HIGH. TO ENABLE CHIP, MAKE E1 HIGH AND E2 LOW. (NOTE: E2 = E2A + E2B.)

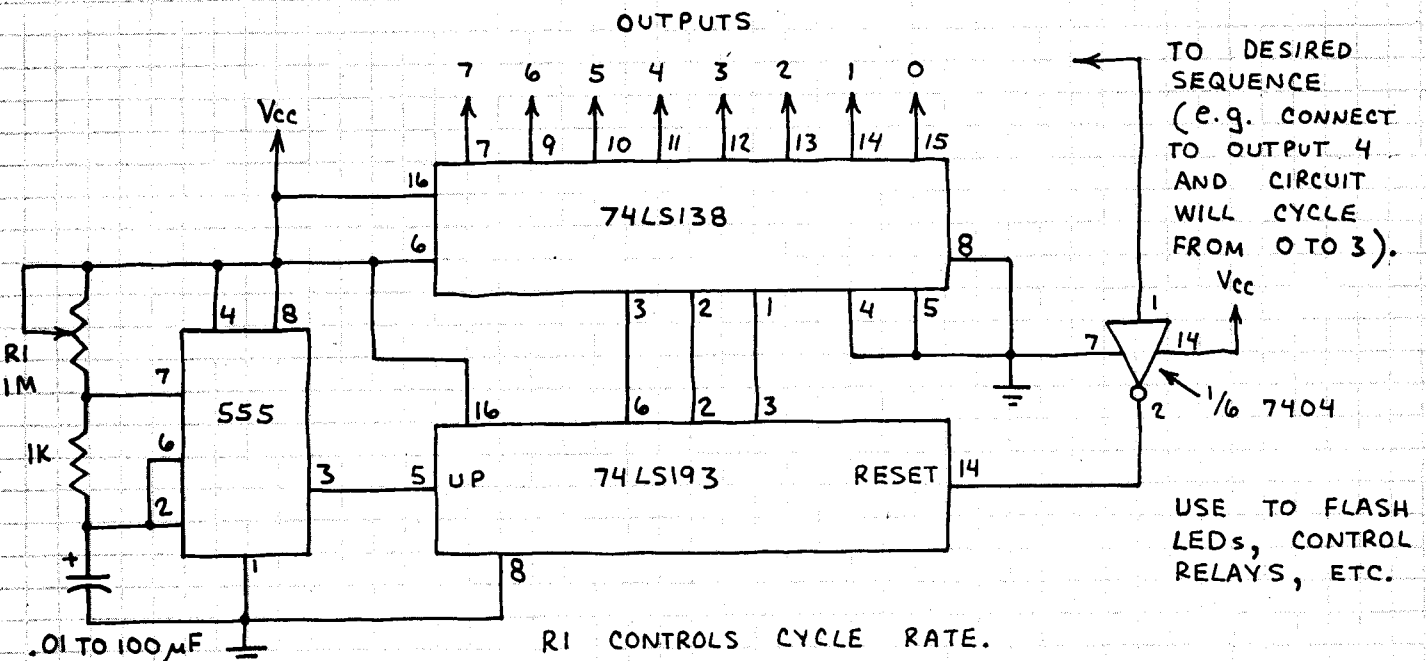


1-TO-8 DEMULTIPLEXER



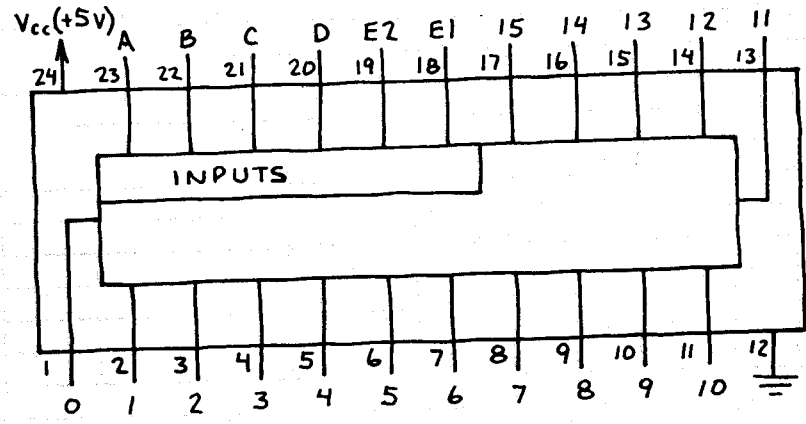
INPUT DATA (H OR L) IS PASSED TO SELECTED OUTPUT.

2-TO-8 STEP SEQUENCER

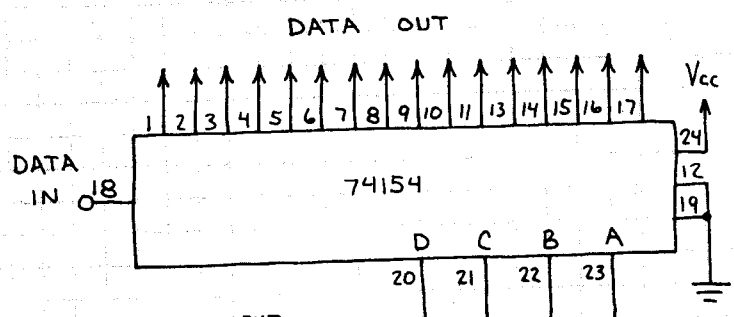


4-LINE TO 16-LINE DECODER 74154

EACH 4-BIT ADDRESS
DRIVES ONE OUTPUT LOW.
ALL OTHERS STAY HIGH.
ENABLE INPUTS (E1 AND E2)
MUST BE LOW. IF ONE OR
BOTH ARE HIGH, ALL
OUTPUTS GO LOW.



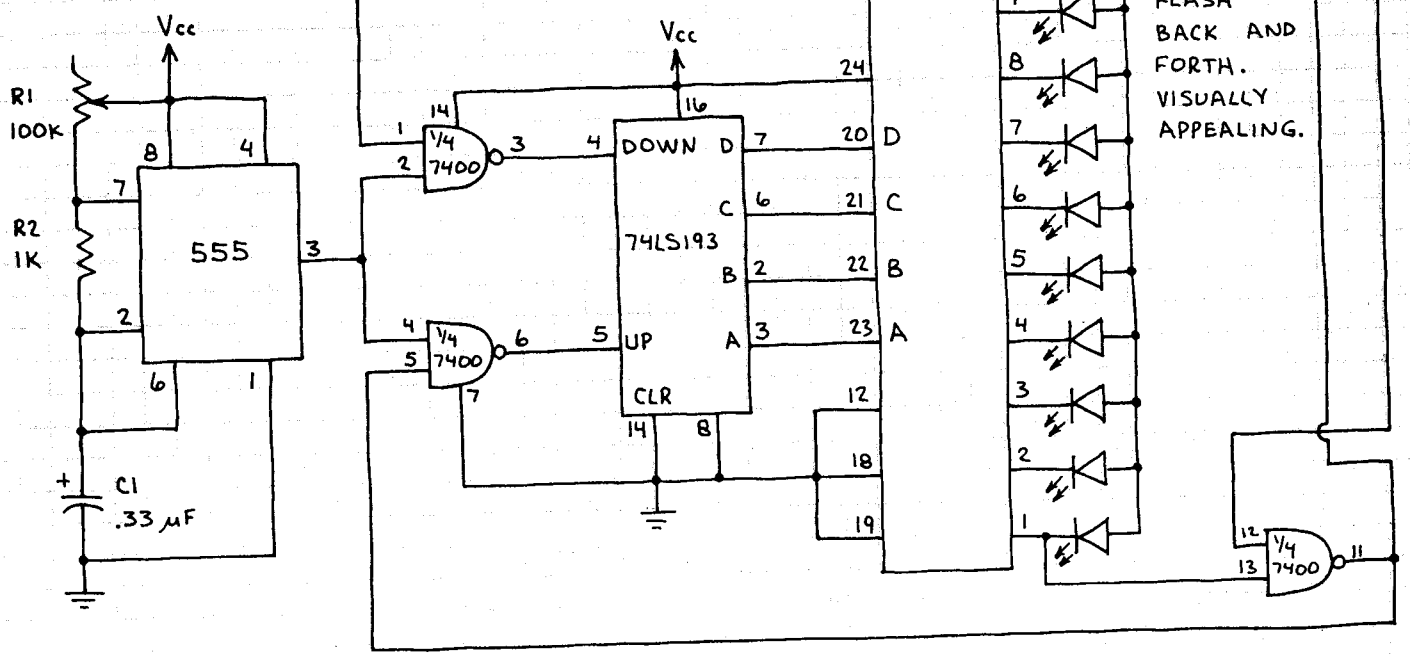
1-TO-16 DEMULTIPLEXER



SELECTED OUTPUT
IS LOW WHEN
DATA IN IS LOW.
IF DATA IN IS
HIGH, SELECTED
OUTPUT IS HIGH.

ADDRESS IN
(SELECTS 1-OF-16
OUTPUTS)

BACK AND FORTH FLASHER

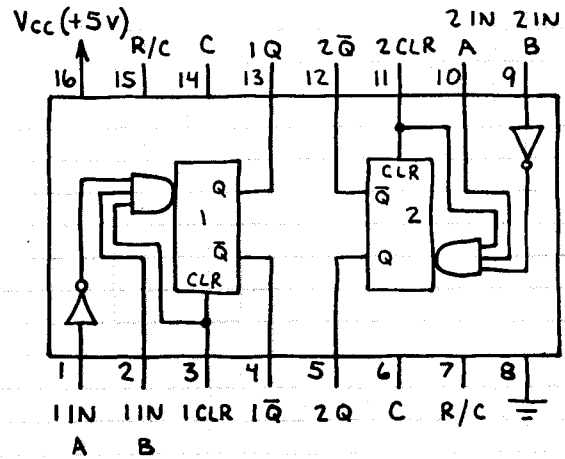


THESE
LEDS
FLASH
BACK AND
FORTH.
VISUALLY
APPEALING.

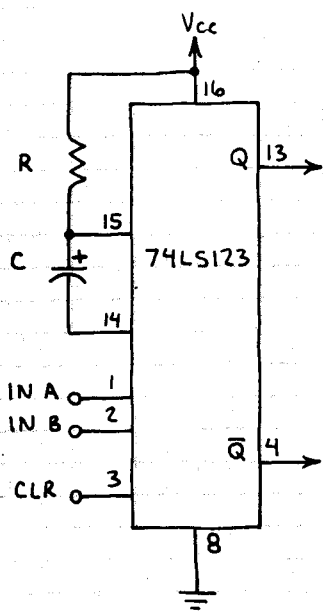
INCREASE R1 TO SLOW FLASH RATE.

DUAL ONE-SHOT 74LS123

TWO FULLY INDEPENDENT MONOSTABLE MULTIVIBRATORS. BOTH ARE RETRIGGERABLE. PINS DESIGNATED R AND R/C ARE FOR EXTERNAL TIMING RESISTOR AND CAPACITOR. SEE RADIO SHACK DATA BOOK FOR INFORMATION ABOUT R AND C.



BASIC ONE-SHOT



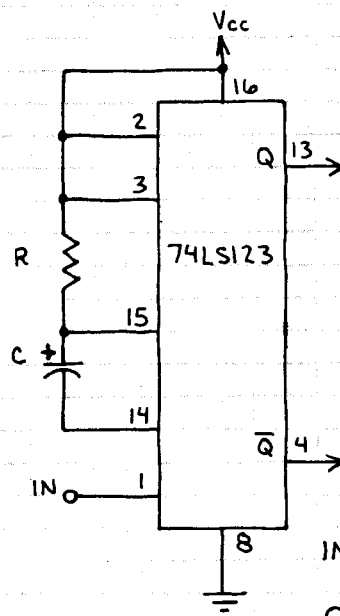
TWO WAYS TO TRIGGER:

1. KEEP INPUTS A AND B LOW; THEN MAKE B HIGH.
2. KEEP INPUTS A AND B HIGH; THEN MAKE A LOW.

TO CLEAR:

MAKE PIN 3 LOW. THIS ALSO INHIBITS TRIGGERING.

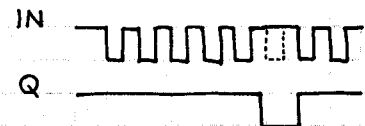
MISSING PULSE DETECTOR



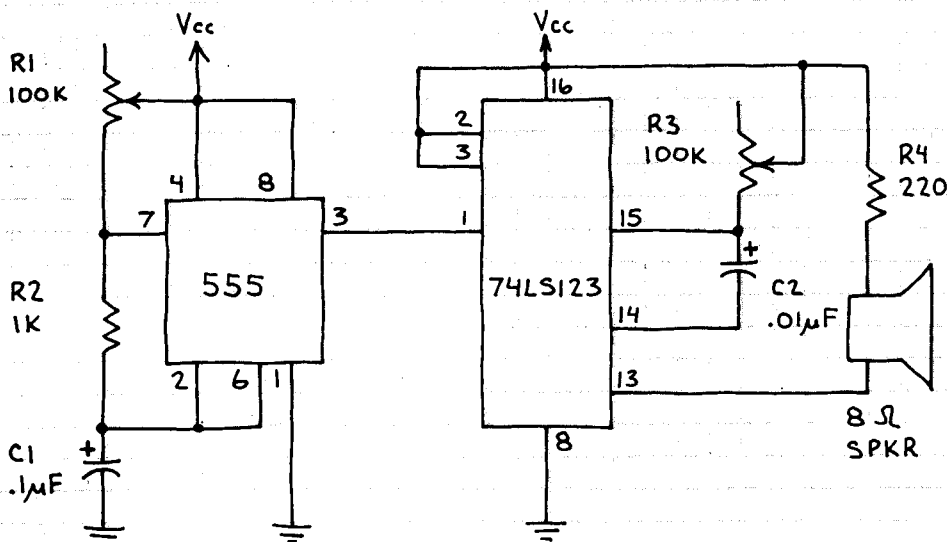
Q OUTPUT STAYS HIGH SO LONG AS INCOMING PULSES ARRIVE BEFORE ONE-SHOT TIMING PERIOD RUNS OUT.

ADJUST R AND C TO GIVE TIMING PERIOD ABOUT 1/3 LONGER THAN THE INTERVAL BETWEEN INCOMING PULSES.

OPERATION:



TONE STEPPER



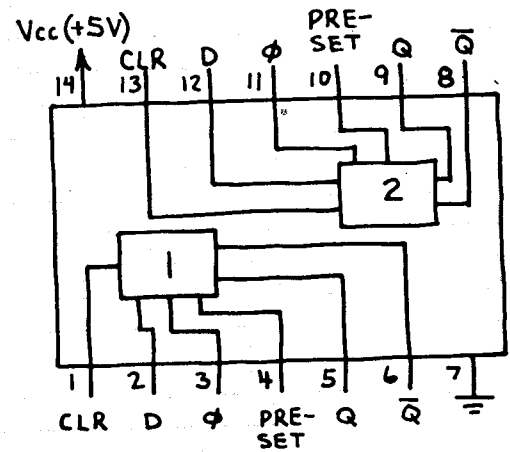
THIS CIRCUIT STEPS ACROSS A RANGE OF TONES WHEN R1 AND/OR R3 ARE ADJUSTED. VERY UNUSUAL SOUND EFFECTS.

CHANGE C1 AND C2 FOR OTHER TONE RANGES. ALSO, TRY PHOTOSENSITORS FOR R1 AND R3.

DUAL D FLIP-FLOP 7474 / 74LS74

TWO D (DATA) FLIP-FLOPS IN A SINGLE PACKAGE. DATA AT D INPUT IS STORED AND MADE AVAILABLE AT Q OUTPUT WHEN CLOCK PULSE (ϕ) GOES HIGH. HERE'S THE TRUTH TABLE:

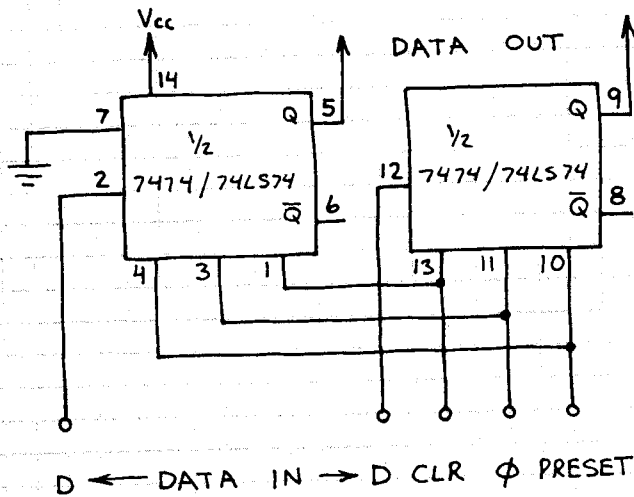
PRESET	CLEAR	CLOCK	D	Q	\bar{Q}
L	H	X	X	H	L
H	L	X	X	L	H
H	H	\uparrow	H	H	L
H	H	\uparrow	L	L	H



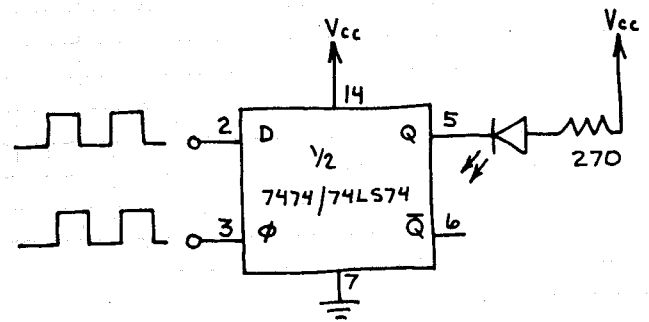
ϕ IS CLOCK INPUT.

\uparrow IS RISING EDGE OF CLOCK PULSE.

2-BIT STORAGE REGISTER

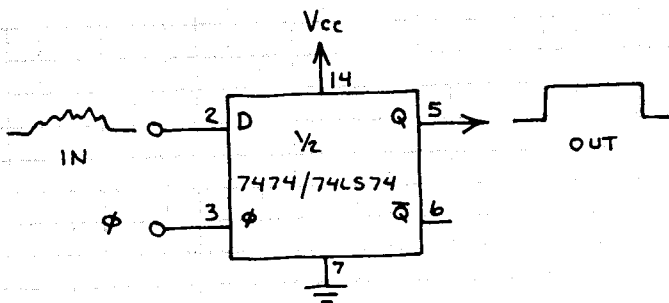


PHASE DETECTOR

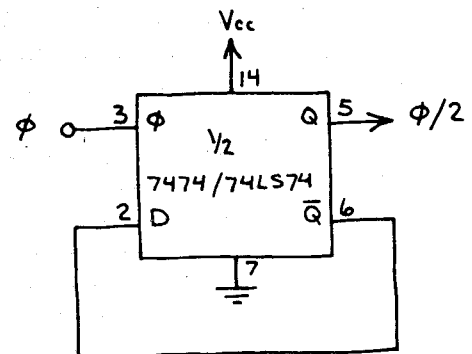


THE LED GLOWS WHEN INPUT FREQUENCIES F1 AND F2 ARE UNEQUAL OR OUT OF PHASE. F1 AND F2 SHOULD BE SQUARE WAVES.

WAVE SHAPER



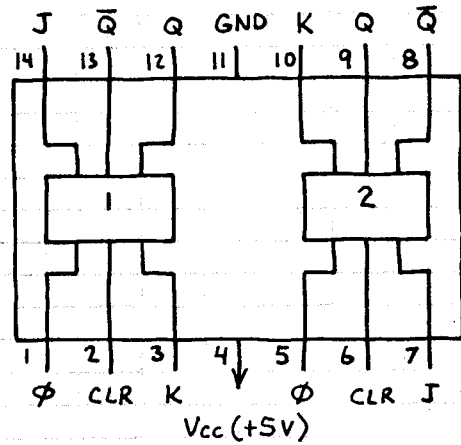
DIVIDE-BY-TWO COUNTER



DUAL J-K FLIP-FLOP 7473

TWO JK FLIP-FLOPS IN A SINGLE PACKAGE. NOTE THE CLEAR INPUTS. THESE FLIP-FLOPS WILL TOGGLE (SWITCH OUTPUT STATES) IN RESPONSE TO INCOMING CLOCK PULSES WHEN BOTH J AND K INPUTS ARE HIGH. HERE'S THE TRUTH TABLE:

CLEAR	CLOCK	J	K	Q	\bar{Q}
L	X	X	X	L	H
H	L	H	L	H	L
H	L	L	H	L	H
H	L	H	H	TOGGLE	



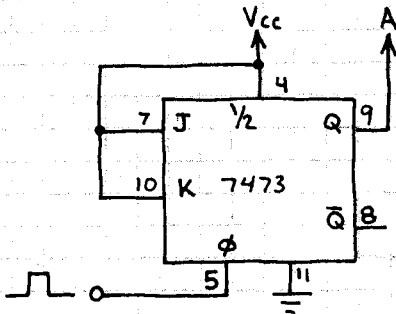
ϕ IS CLOCK INPUT.

BINARY COUNTERS

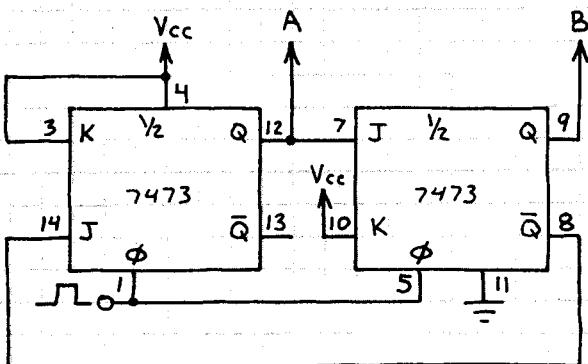
THE THREE CIRCUITS ON THIS PAGE ARE BINARY COUNTERS THAT COUNT UP TO THE MAXIMUM COUNT AND AUTOMATICALLY RECYCLE. CONNECT A DECODER TO OUTPUT OF DIVIDE-BY-THREE AND DIVIDE-BY-FOUR COUNTERS TO OBTAIN ONE-OF-THREE AND ONE-OF-FOUR OPERATION. THIS TRUTH TABLE SUMMARIZES OPERATION OF THESE COUNTERS:

DIVIDE-BY:	TWO		THREE		FOUR	
	A	B	A	B	A	B
OUTPUTS:	L	L	L	L	L	L
	H	L	H	L	L	H
		H	L	H	H	L
				H	H	H

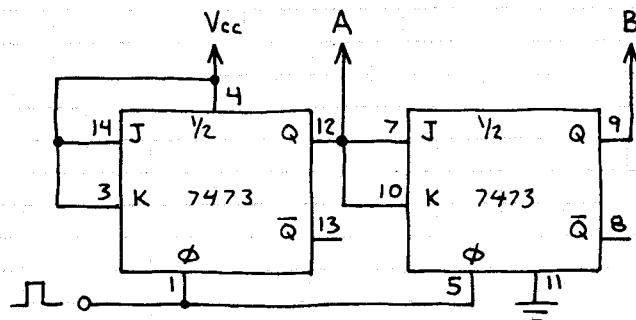
DIVIDE-BY-TWO



DIVIDE-BY-THREE



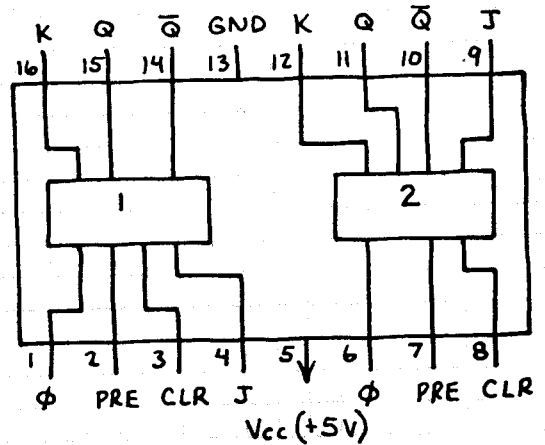
DIVIDE-BY-FOUR



DUAL J-K FLIP-FLOP 7476

TWO JK FLIP-FLOPS IN A SINGLE PACKAGE. SIMILAR TO 7473/74LS73 BUT HAS BOTH PRESET AND CLEAR INPUTS. FLIP-FLOPS WILL TOGGLE (SWITCH OUTPUT STATES) IN RESPONSE TO INCOMING CLOCK PULSES WHEN BOTH J AND K INPUTS ARE HIGH. HERE'S THE TRUTH TABLE:

PRE	CLR	CLK	J	K	Q	\bar{Q}
L	H	X	X	X	H	L
H	L	X	X	X	L	H
H	H	\downarrow	H	L	H	L
H	H	\downarrow	L	H	L	H
H	H	\downarrow	H	H	TOGGLE	TOGGLE

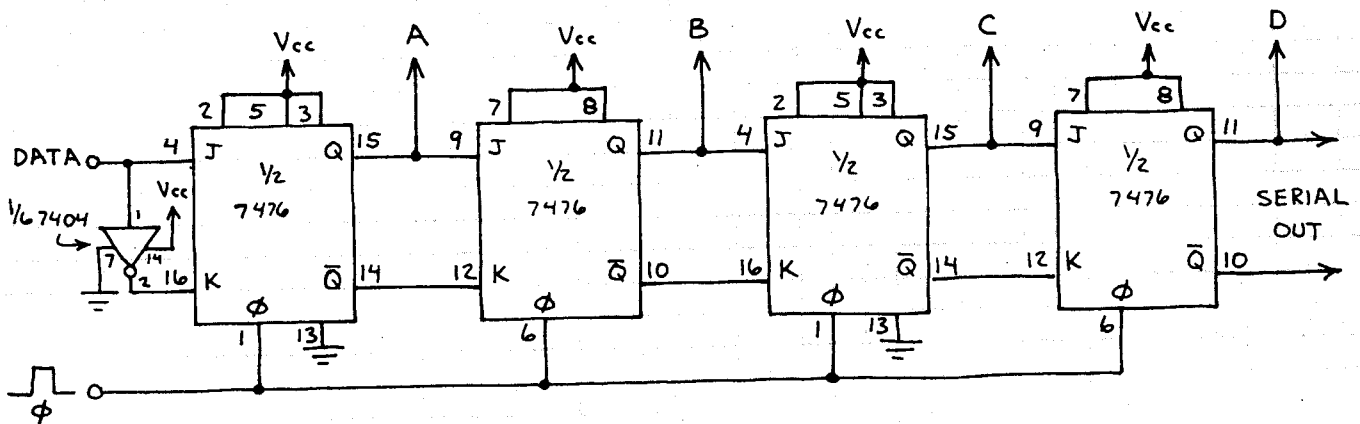


PRE = PRESET
CLR = CLEAR
 ϕ = CLOCK (OR CLK)

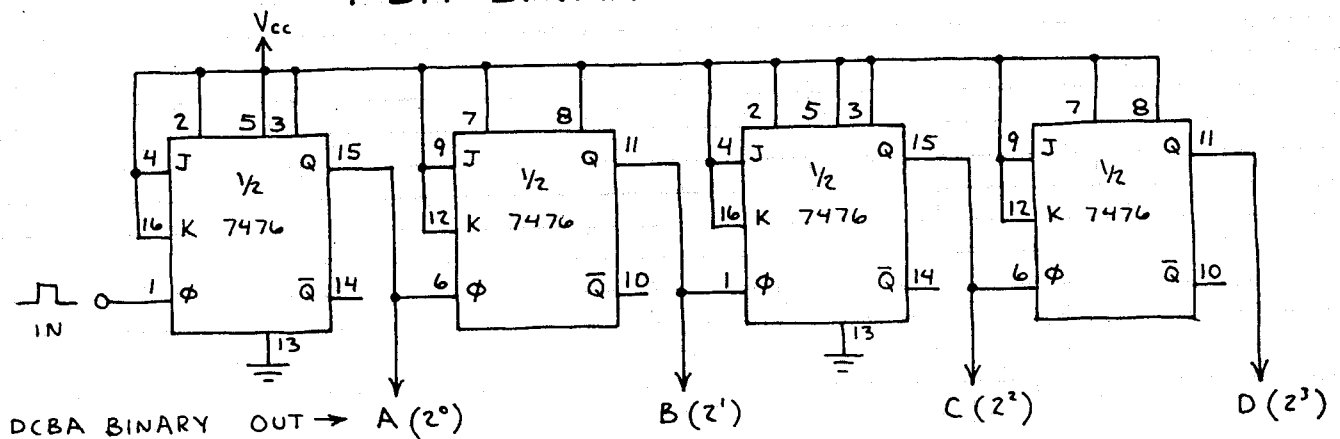
TOGGLE = FLIP-FLOP SWITCHES OUTPUT STATES IN RESPONSE TO CLOCK PULSES.

4-BIT SERIAL SHIFT REGISTER

PARALLEL OUT (ABCD)

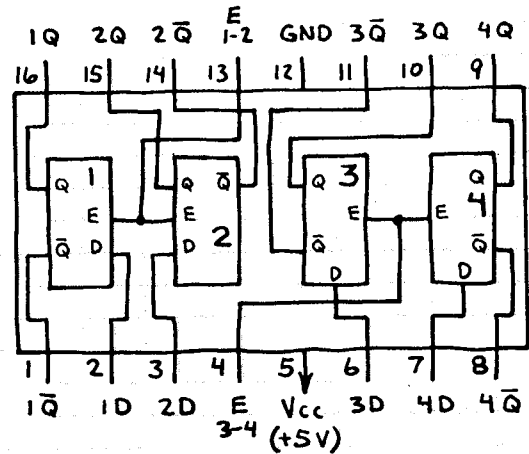


4-BIT BINARY UP COUNTER



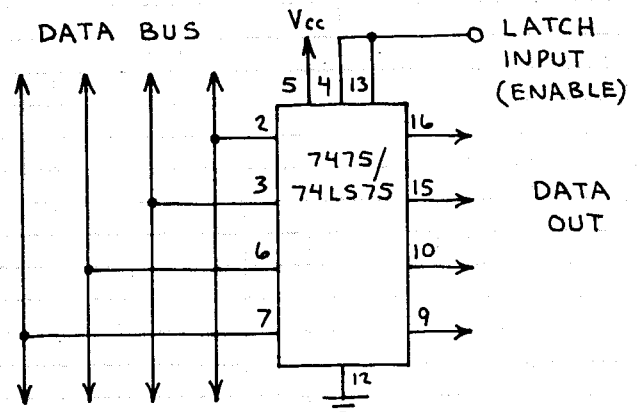
QUAD LATCH 7475/74LS75

A 4-BIT BISTABLE LATCH. PRIMARILY USED TO STORE THE COUNT IN DECIMAL COUNTING UNITS. NOTE THAT BOTH Q AND \bar{Q} OUTPUTS ARE PROVIDED. ALSO NOTE THE E (ENABLE) INPUTS. WHEN E IS HIGH, Q FOLLOWS D.

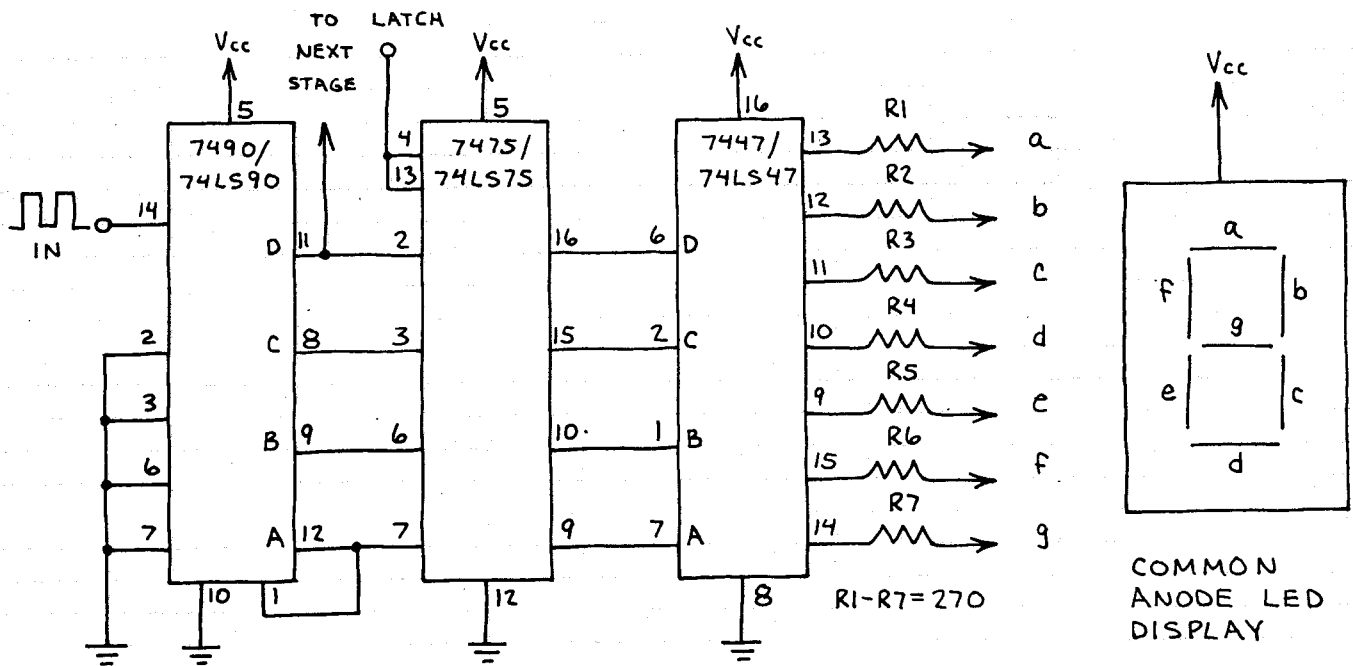


4-BIT DATA LATCH

DATA ON BUS APPEARS AT OUTPUTS WHEN LATCH INPUT IS HIGH. DATA ON BUS WHEN LATCH INPUT GOES LOW IS STORED UNTIL LATCH INPUT GOES HIGH. (LATCH INPUT CONTROLS BOTH ENABLE INPUTS.) TWO QUAD LATCHES CAN BE USED AS AN 8-BIT DATA LATCH.



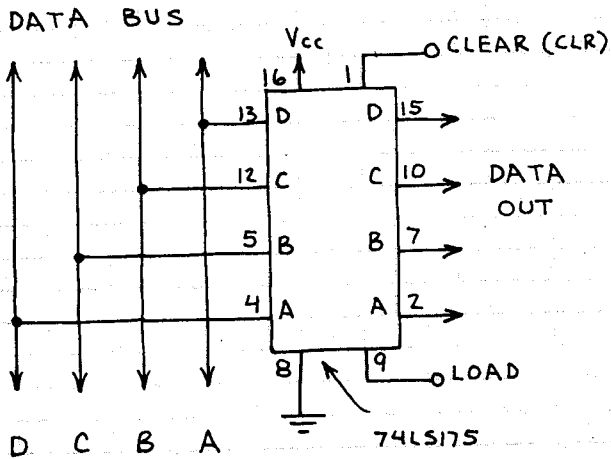
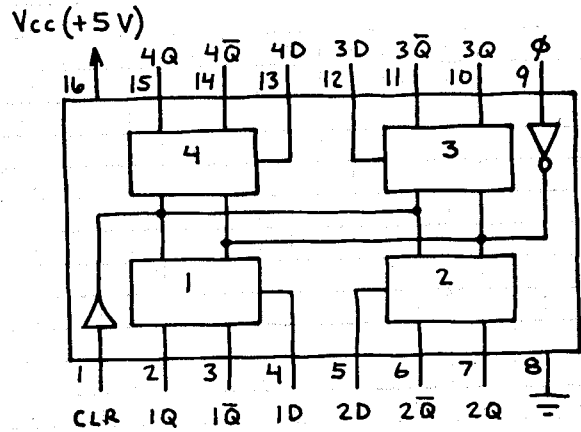
DECIMAL COUNTING UNIT



EXPANDABLE DECADE COUNTER. FOR TWO DIGIT COUNT, CONNECT PIN 11 OF 7490/74LS90 OF FIRST UNIT TO INPUT OF SECOND UNIT. A LOW AT THE LATCH INPUT FREEZES THE DATA BEING DISPLAYED.

QUAD D FLIP-FLOP 74LS175

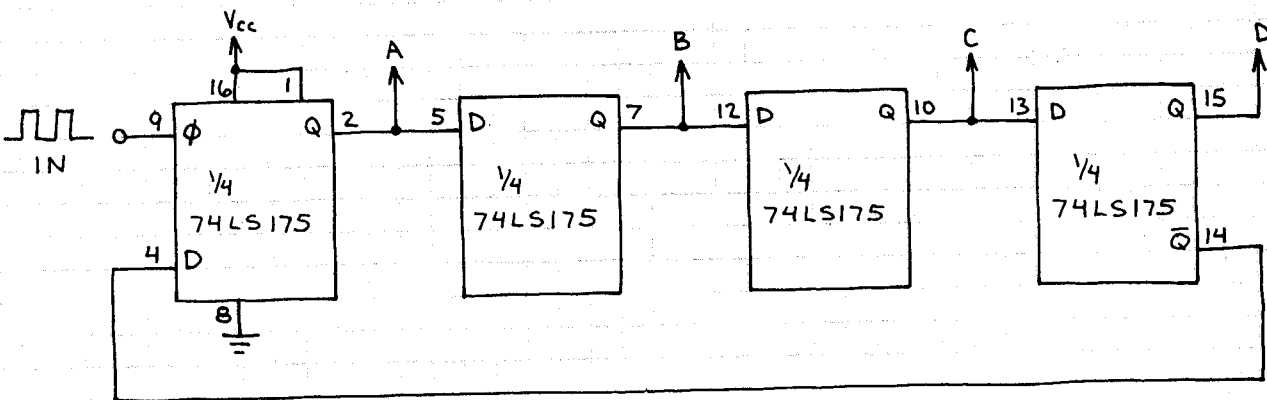
HANDY PACKAGE OF FOUR D-TYPE FLIP-FLOPS. DATA AT D-INPUTS IS LOADED WHEN CLOCK GOES HIGH. MAKING CLEAR INPUT LOW MAKES ALL Q OUTPUTS LOW AND \bar{Q} OUTPUTS HIGH.



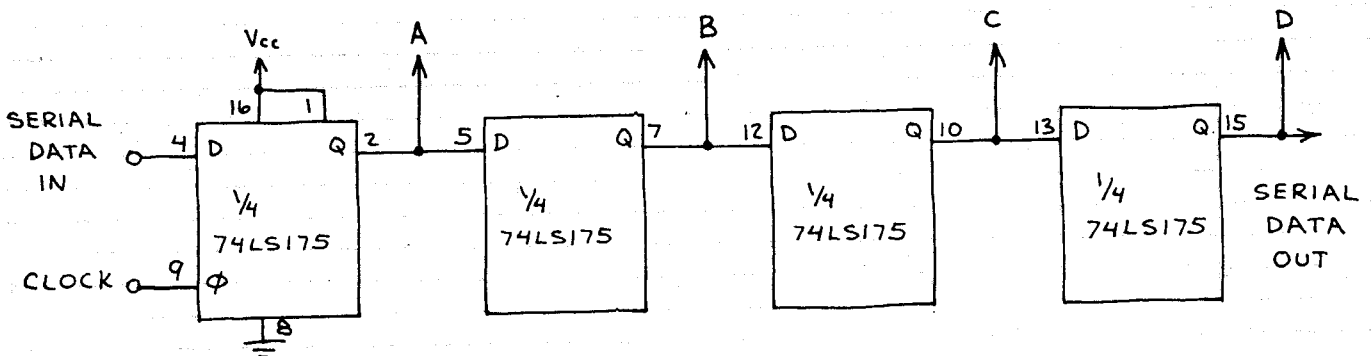
4-BIT DATA REGISTER

DATA ON BUS IS LOADED INTO 74LS175 WHEN LOAD INPUT GOES HIGH. DATA IS THEN STORED AND MADE AVAILABLE AT OUTPUTS UNTIL NEW LOAD PULSE ARRIVES.

MODULO-8 COUNTER

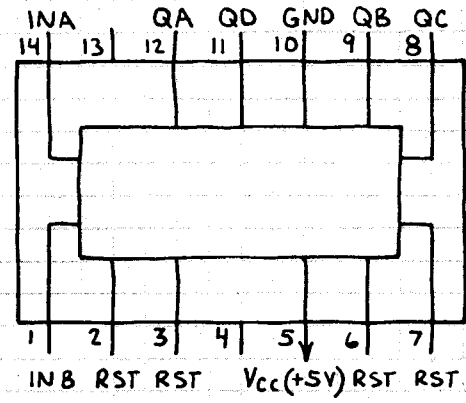


SERIAL IN/OUT, PARALLEL OUT SHIFT REGISTER

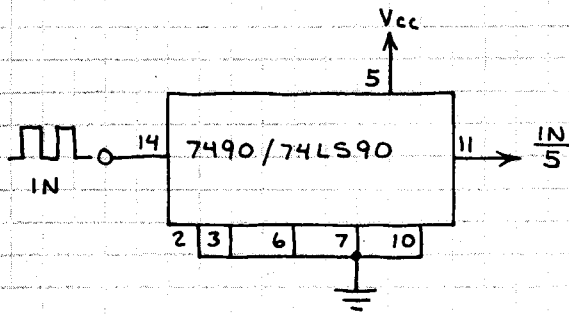


BCD (DECADE) COUNTER 7490/74LS90

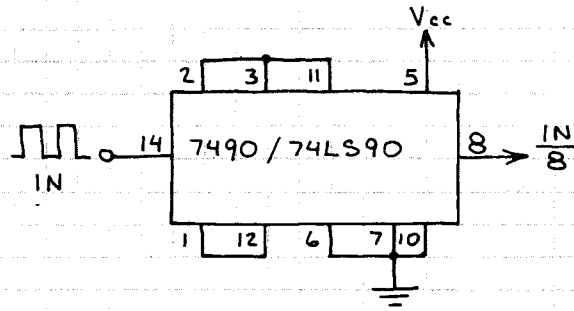
ONE OF THE MOST POPULAR DECADE COUNTERS. EASILY USED FOR DIVIDE-BY-N COUNTERS. LESS EXPENSIVE THAN MORE SOPHISTICATED COUNTERS. RST INDICATES RESET PINS. THIS CHIP IS USUALLY USED IN DECIMAL COUNTING UNITS, BUT CIRCUITS ON THIS PAGE SHOW MANY OTHER POSSIBILITIES.



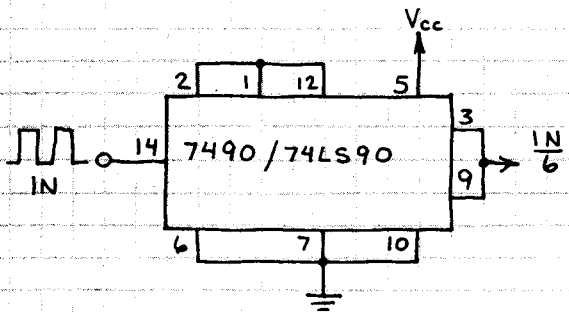
DIVIDE-BY-5 COUNTER



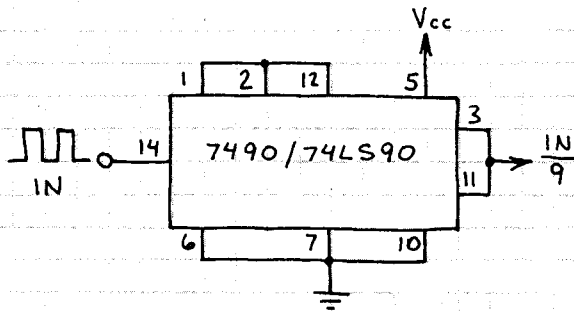
DIVIDE-BY-8 COUNTER



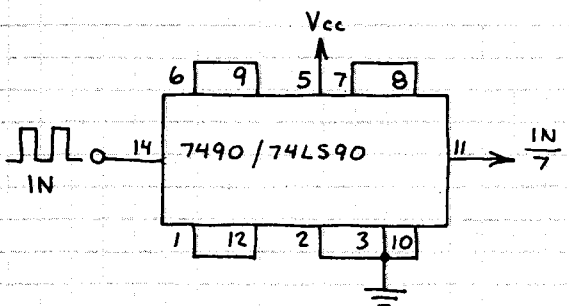
DIVIDE-BY-6 COUNTER



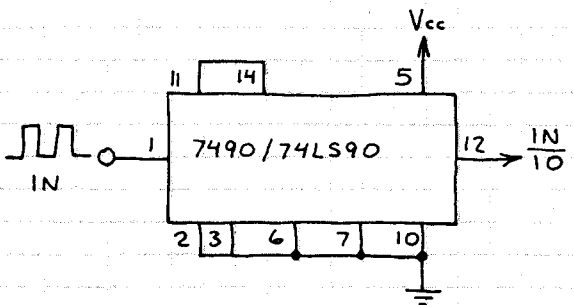
DIVIDE-BY-9 COUNTER



DIVIDE-BY-7 COUNTER

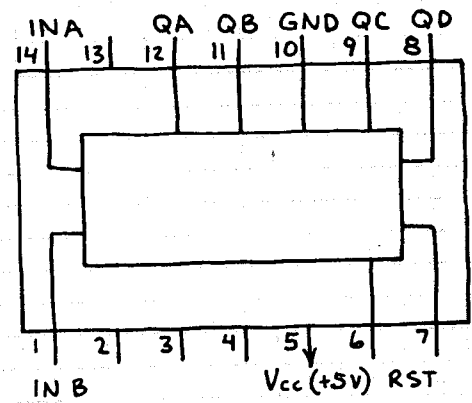


DIVIDE-BY-10 COUNTER

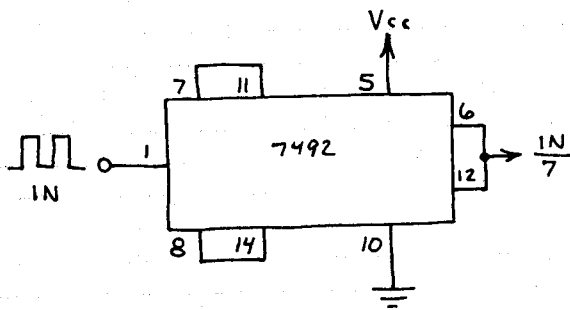


DIVIDE-BY-12 BINARY COUNTER 7492

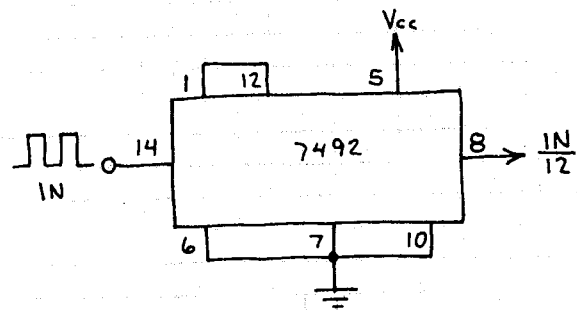
OFTEN USED TO DIVIDE CONDITIONED 60 HZ PULSES FROM AC POWER LINE INTO 10 HZ PULSES. OTHER DIVIDER APPLICATIONS ALSO. RST INDICATES RESET PINS.



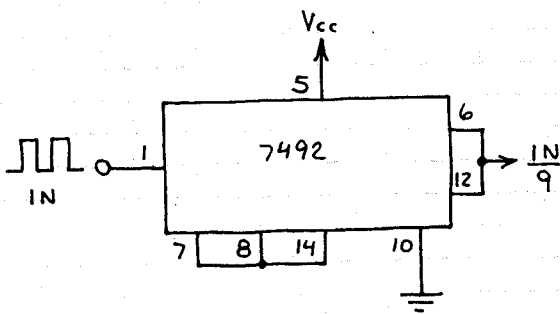
DIVIDE-BY-7 COUNTER



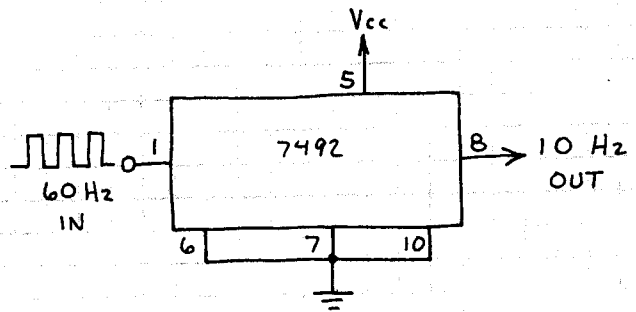
DIVIDE-BY-12 COUNTER



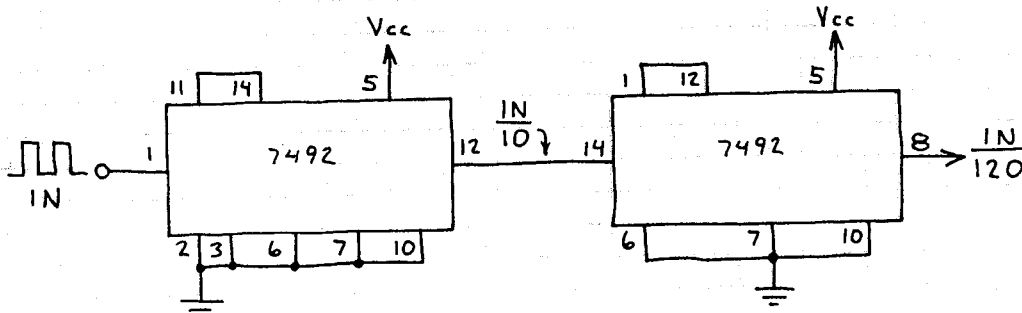
DIVIDE-BY-9 COUNTER



10-HZ PULSE SOURCE



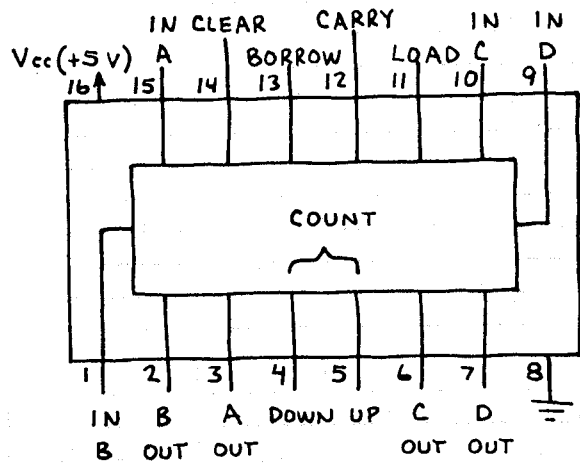
DIVIDE-BY-120 COUNTER



THIS METHOD OF CASCADING COUNTERS CAN BE USED TO CREATE ANY DIVIDE-BY-N COUNTER.

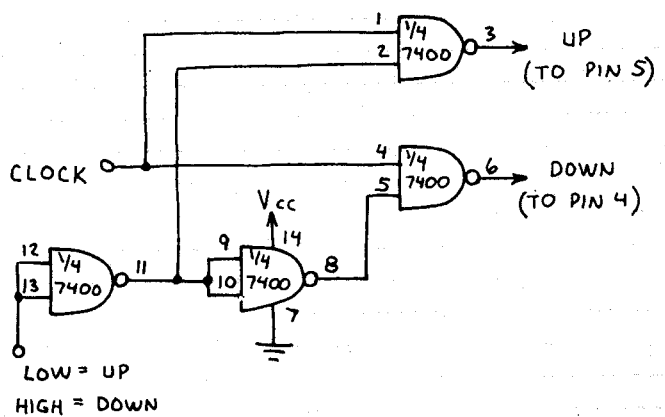
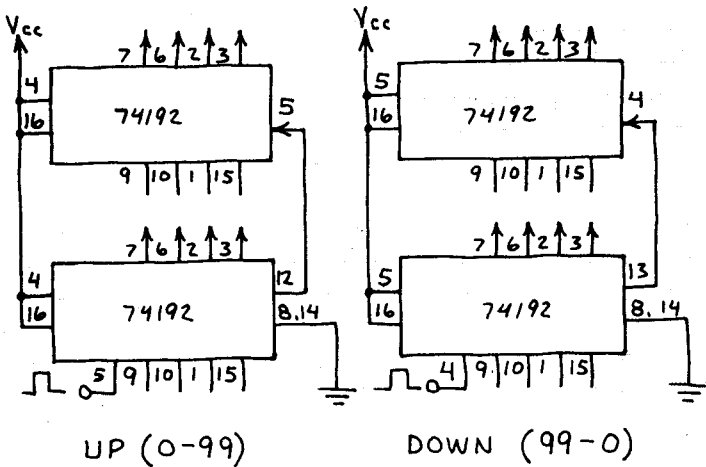
BCD UP-DOWN COUNTER 74192

FULLY PROGRAMMABLE BCD COUNTER. OPERATION IS IDENTICAL TO 74193/74LS193 EXCEPT COUNT IS 10-STEP BCD (LLLL-HLLH) INSTEAD OF 16-STEP BINARY. MANY APPLICATIONS FOR 74192/74LS192 AND 74193/74LS193 ARE INTERCHANGEABLE.

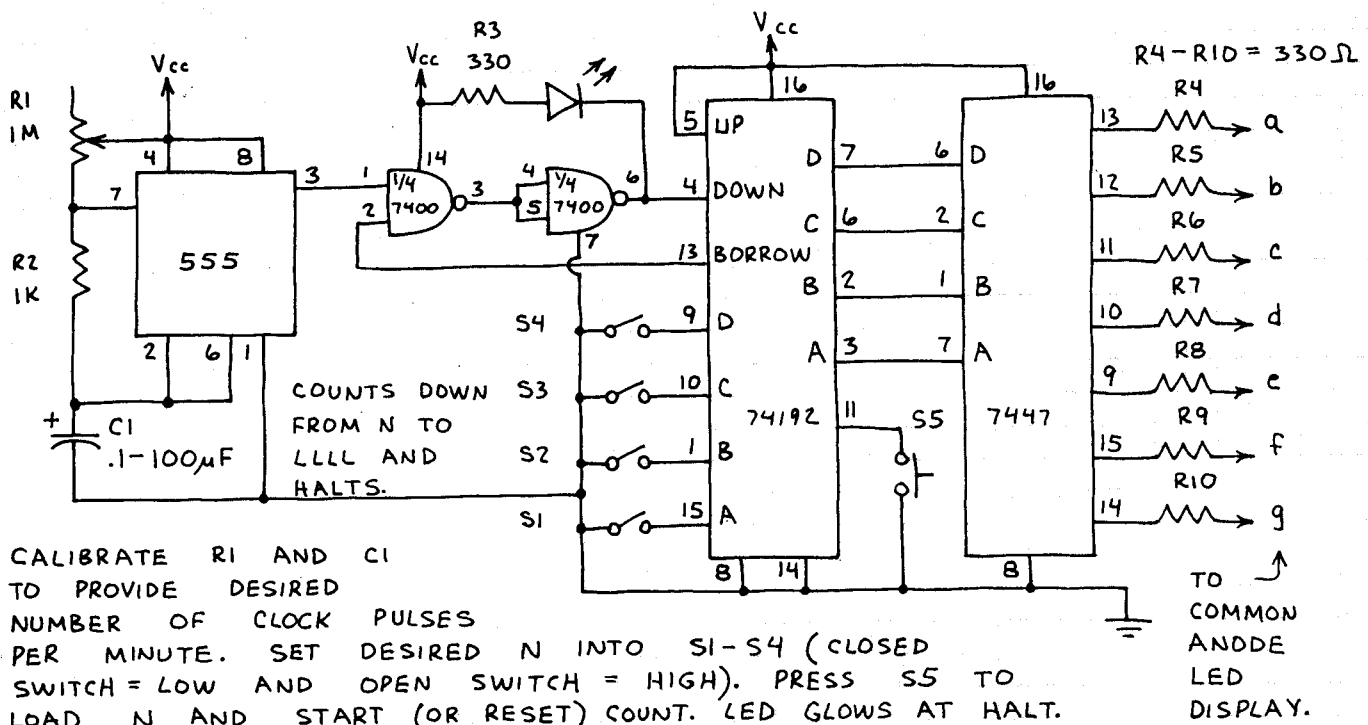


CASCADED COUNTERS

SINGLE UP-DOWN INPUT

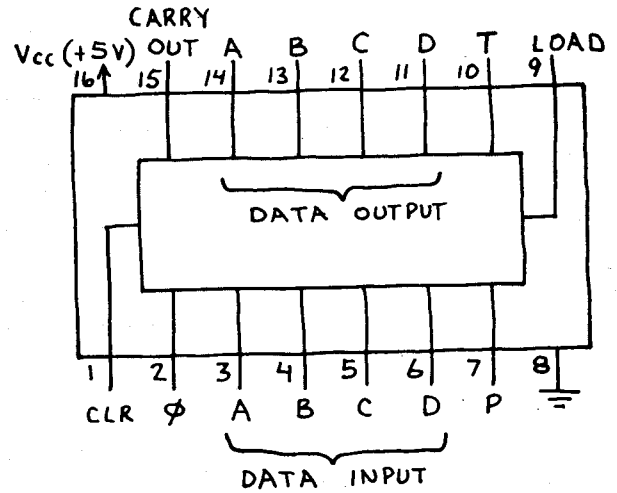


PROGRAMMABLE COUNT DOWN TIMER

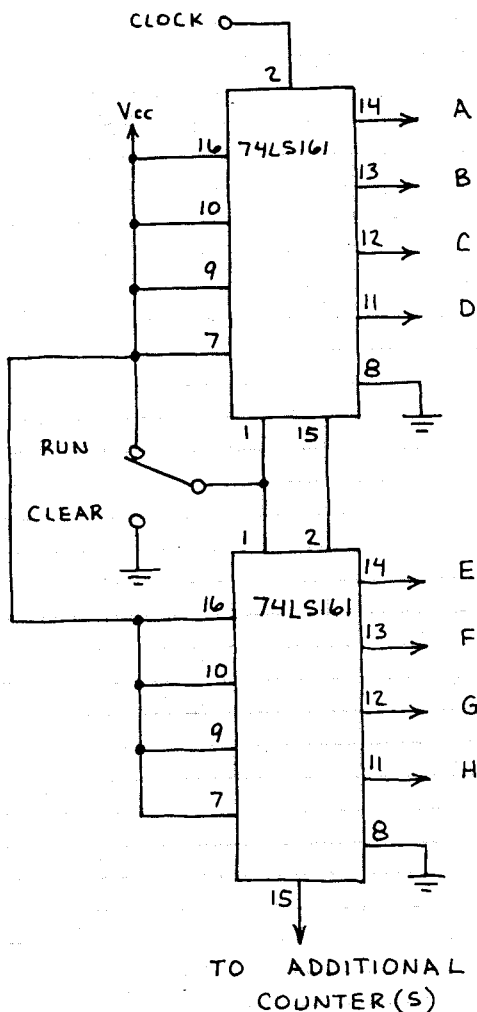


4-BIT UP COUNTER 74LS161

GENERAL PURPOSE BINARY COUNTER WITH PROGRAMMABLE INPUTS. COUNTER ACCEPTS DATA AT INPUTS WHEN LOAD INPUT GOES LOW. A LOW AT THE CLEAR INPUT RESETS THE COUNTER TO LLLL UPON THE NEXT CLOCK PULSE. P AND T ARE COUNT ENABLE INPUTS. BOTH P AND T MUST BE HIGH TO COUNT. THESE ENABLE INPUTS ARE NOT AVAILABLE WITH THE OTHERWISE MORE ADVANCED 74LS193.

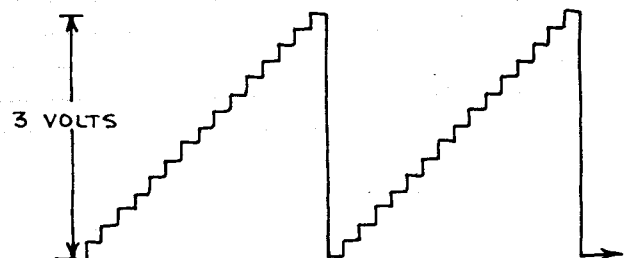
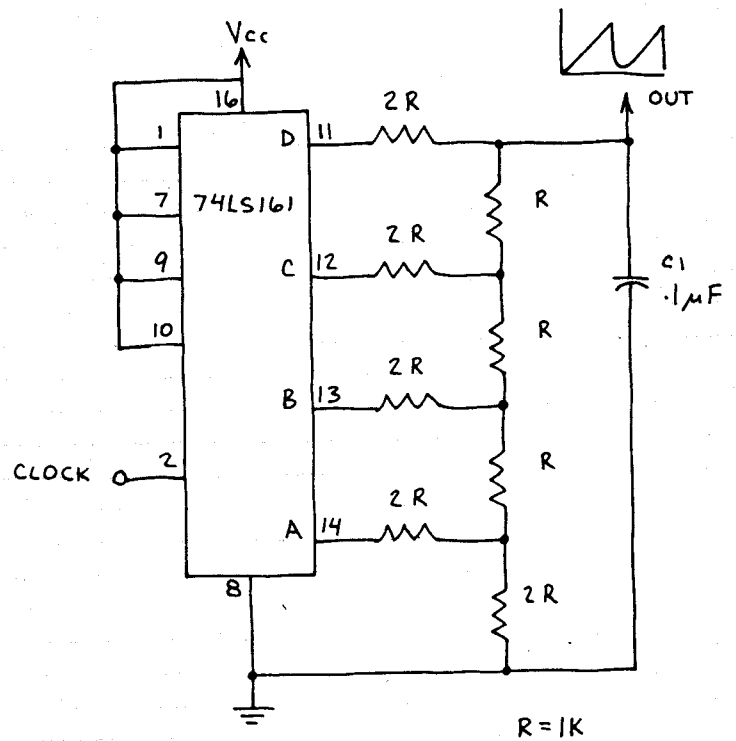


8-BIT COUNTER



OUTPUT A IS LOWEST ORDER BIT.

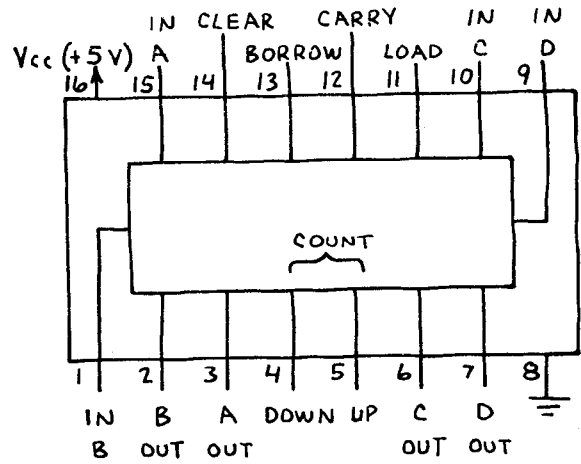
RAMP SYNTHESIZER



REMOVE C1 TO OBTAIN THIS STAIRCASE. FREQUENCY OF RAMP AND STAIRCASE IS 1/16 CLOCK FREQUENCY.

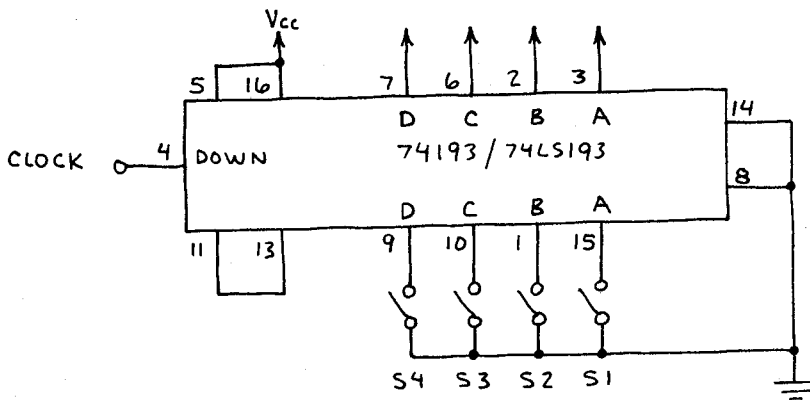
4-BIT UP-DOWN COUNTER 74193/74LS193

VERY VERSATILE 4-BIT COUNTER WITH UP-DOWN CAPABILITY. ANY 4-BIT NUMBER AT THE DCBA INPUTS IS LOADED INTO THE COUNTER WHEN THE LOAD INPUT (PIN 11) IS MADE LOW. THE COUNTER IS CLEARED TO LLLL WHEN THE CLEAR INPUT (PIN 14) IS MADE HIGH. THE BORROW AND CARRY OUTPUTS INDICATE UNDERFLOW OR OVERFLOW BY GOING LOW.



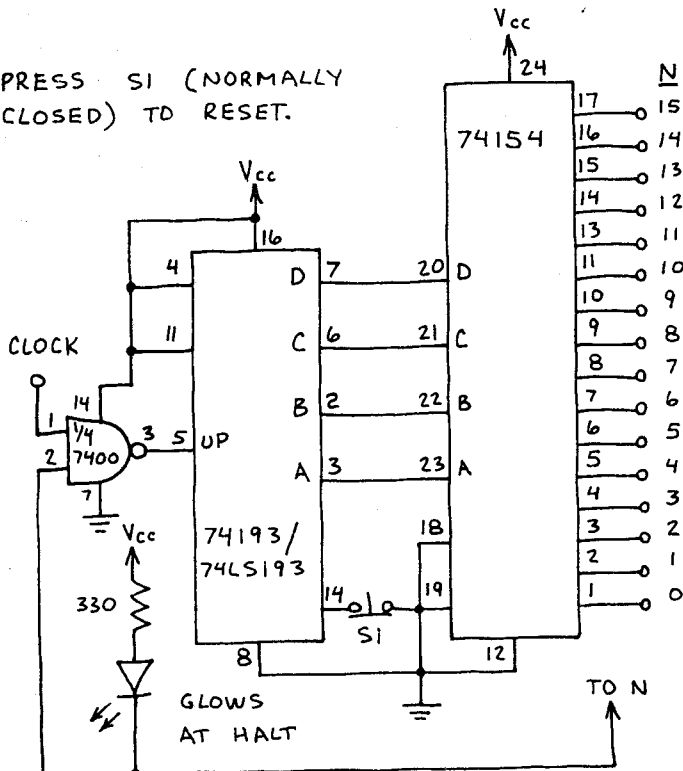
COUNT DOWN FROM N AND RECYCLE

SET DESIRED N INTO S1-S4 (CLOSED SWITCH = LOW AND OPEN SWITCH = HIGH). WHEN COUNT REACHES LLLL AND THEN UNDERFLOWS, THE BORROW PULSE LOADS N AND THE COUNT RECYCLES.

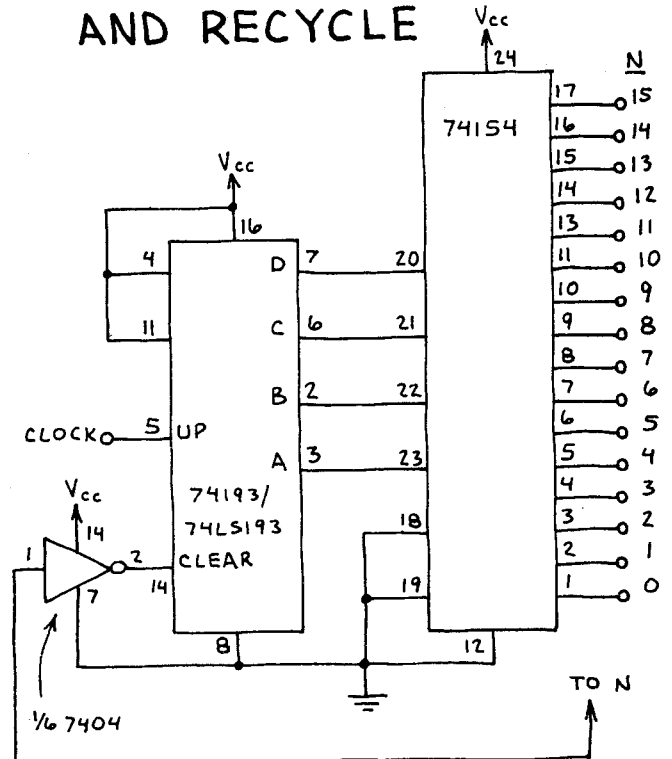


COUNT UP TO N AND HALT

PRESS S1 (NORMALLY CLOSED) TO RESET.

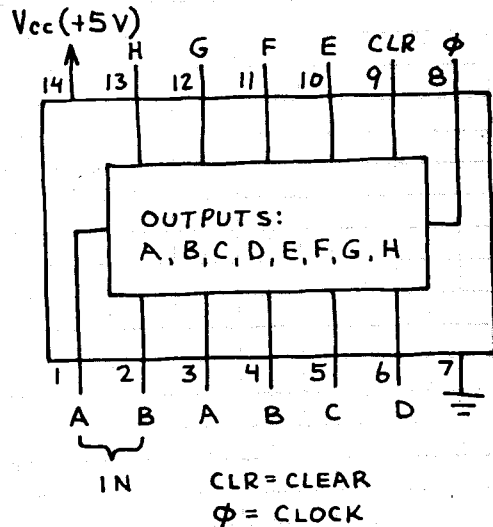


COUNT UP TO N AND RECYCLE



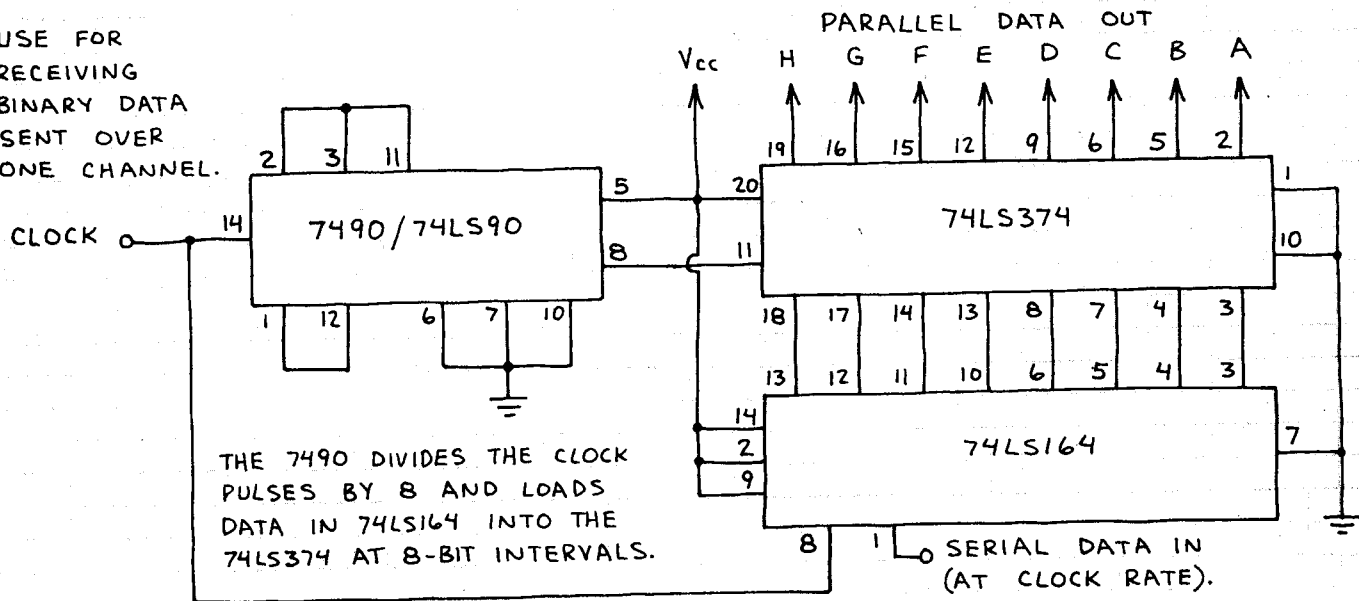
8-BIT SHIFT REGISTER 74LS164

DATA AT ONE OF THE TWO SERIAL INPUTS IS ADVANCED ONE BIT FOR EACH CLOCK PULSE. DATA CAN BE EXTRACTED FROM THE 8 PARALLEL OUTPUTS OR IN SERIAL FORM AT ANY SINGLE OUTPUT. ENTER DATA AT EITHER INPUT. THE UNUSED INPUT MUST BE HELD HIGH OR CLOCKING WILL BE INHIBITED. MAKING PIN 9 LOW CLEARS THE REGISTER TO LLLL.

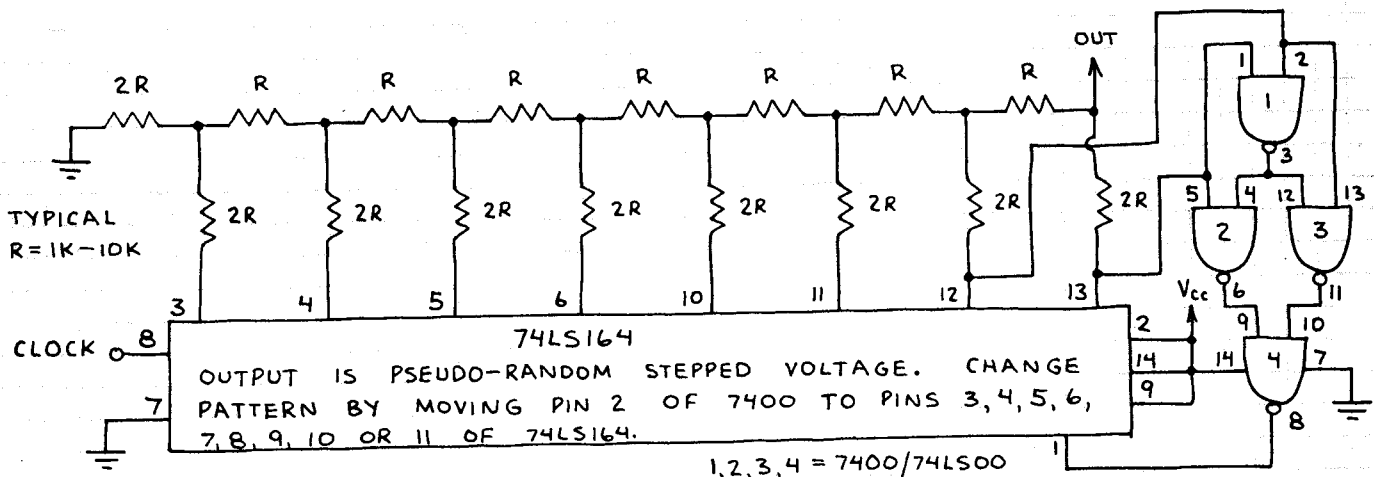


8-BIT SERIAL-TO-PARALLEL DATA CONVERTER

USE FOR RECEIVING BINARY DATA SENT OVER ONE CHANNEL.



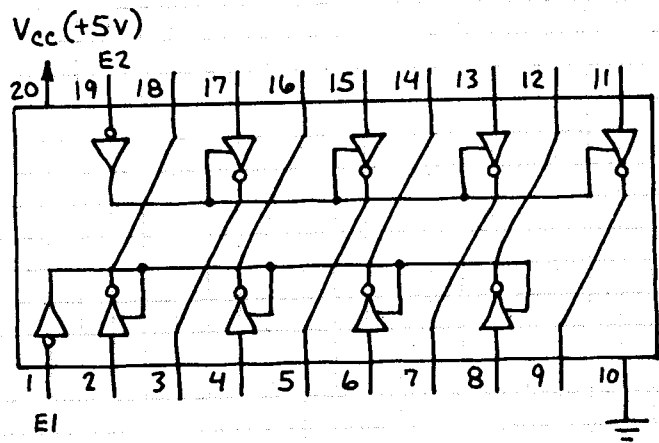
PSEUDO-RANDOM VOLTAGE GENERATOR



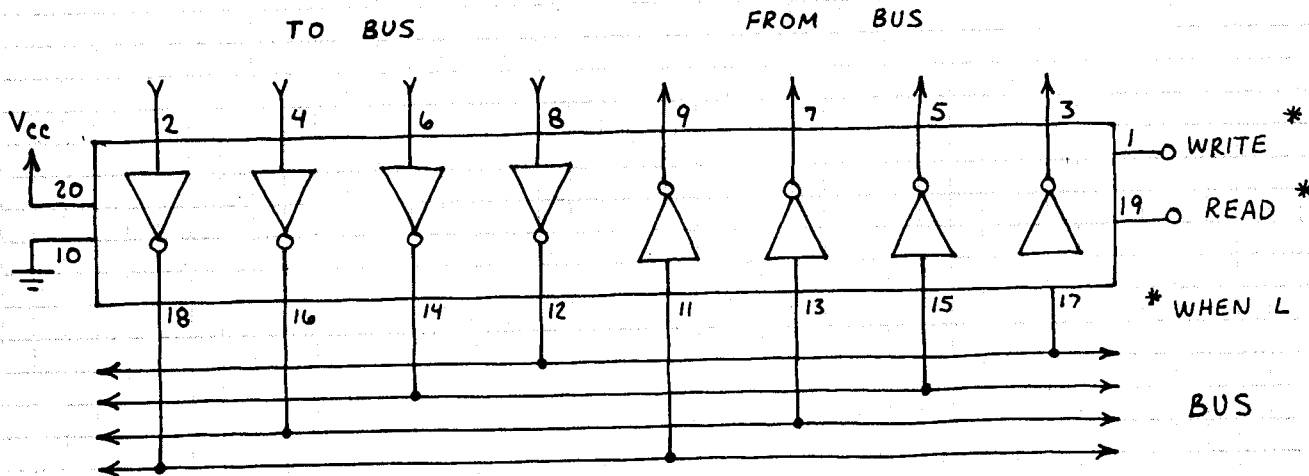
OCTAL BUFFER 74LS240

IDEAL FOR INTERFACING
EXTERNAL CIRCUITS TO
HOME COMPUTERS.
INVERTS DATA.

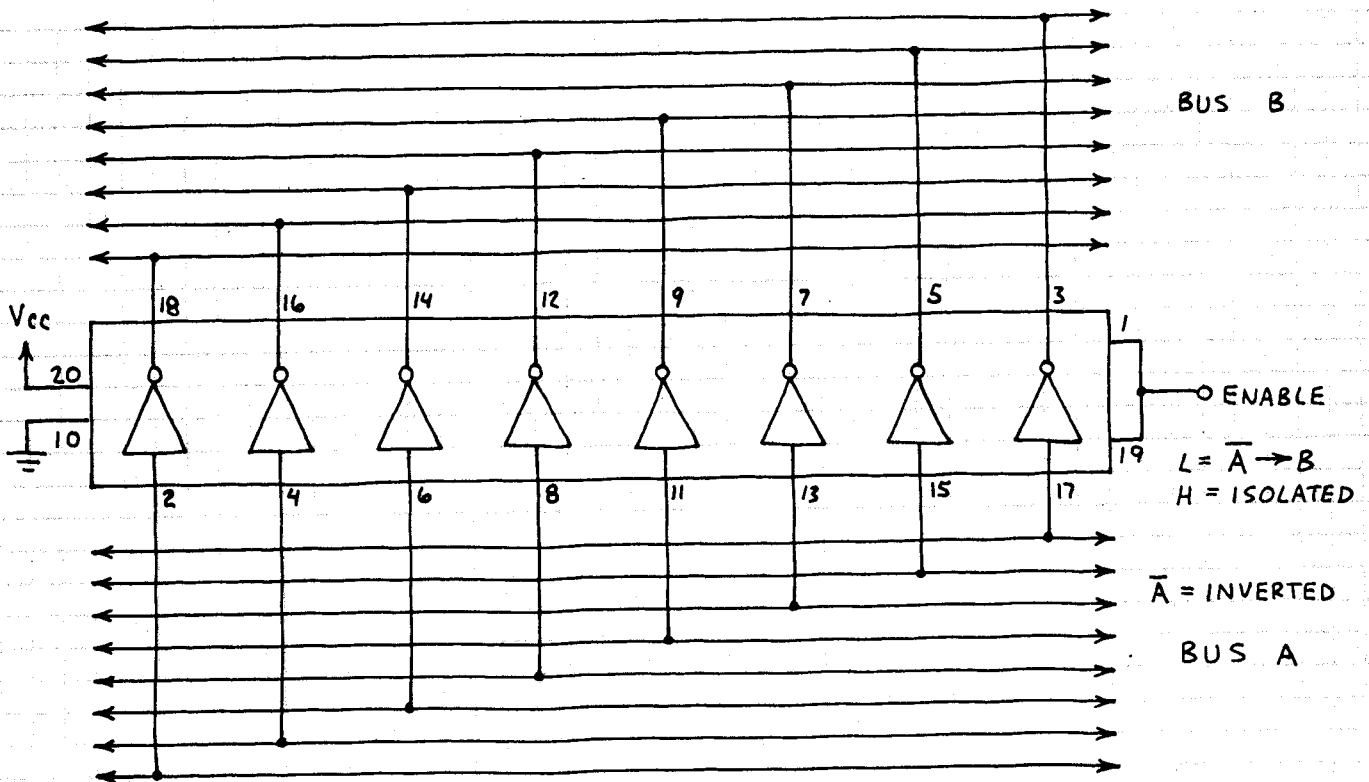
CONTROL (E1, E2)	OUT
L	$\overline{1N}$
H	HI-Z



4-BIT BUS TRANSFER



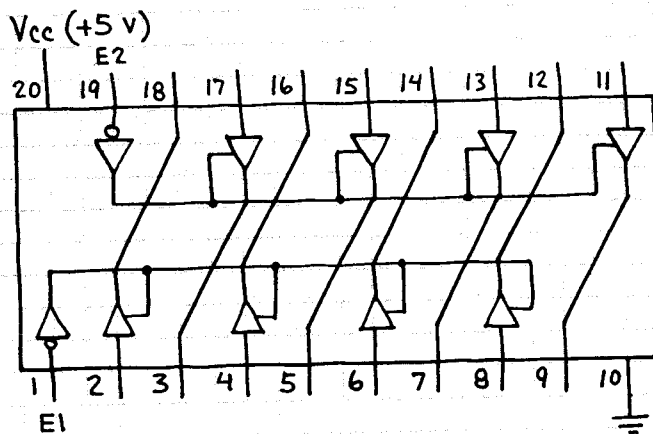
8-BIT BUS BUFFER



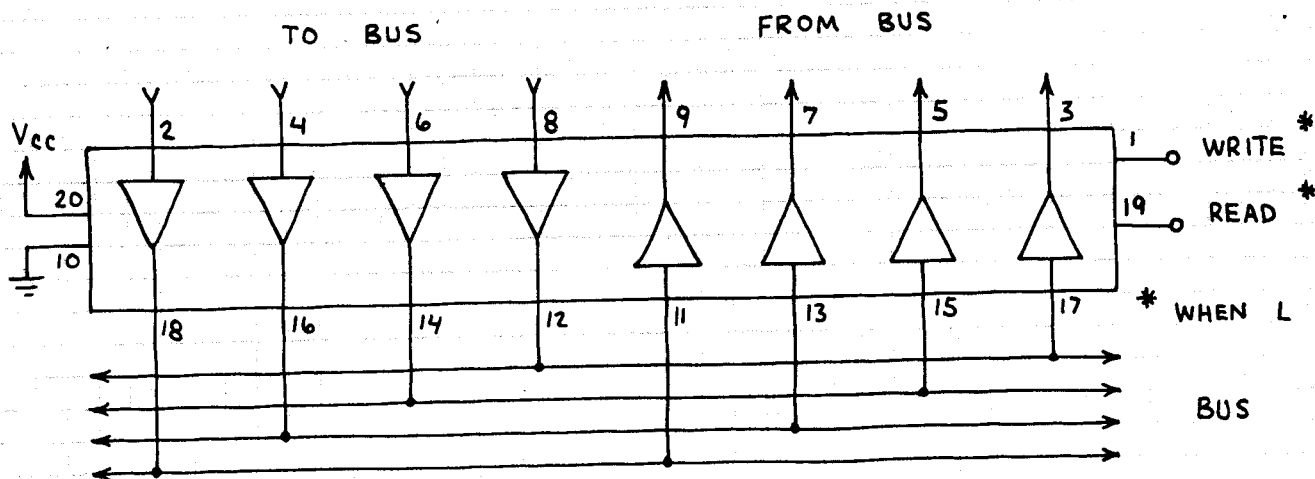
OCTAL BUFFER 74LS244

NON-INVERTING VERSION OF 74LS240. IDEAL FOR COMPUTER INTERFACING.

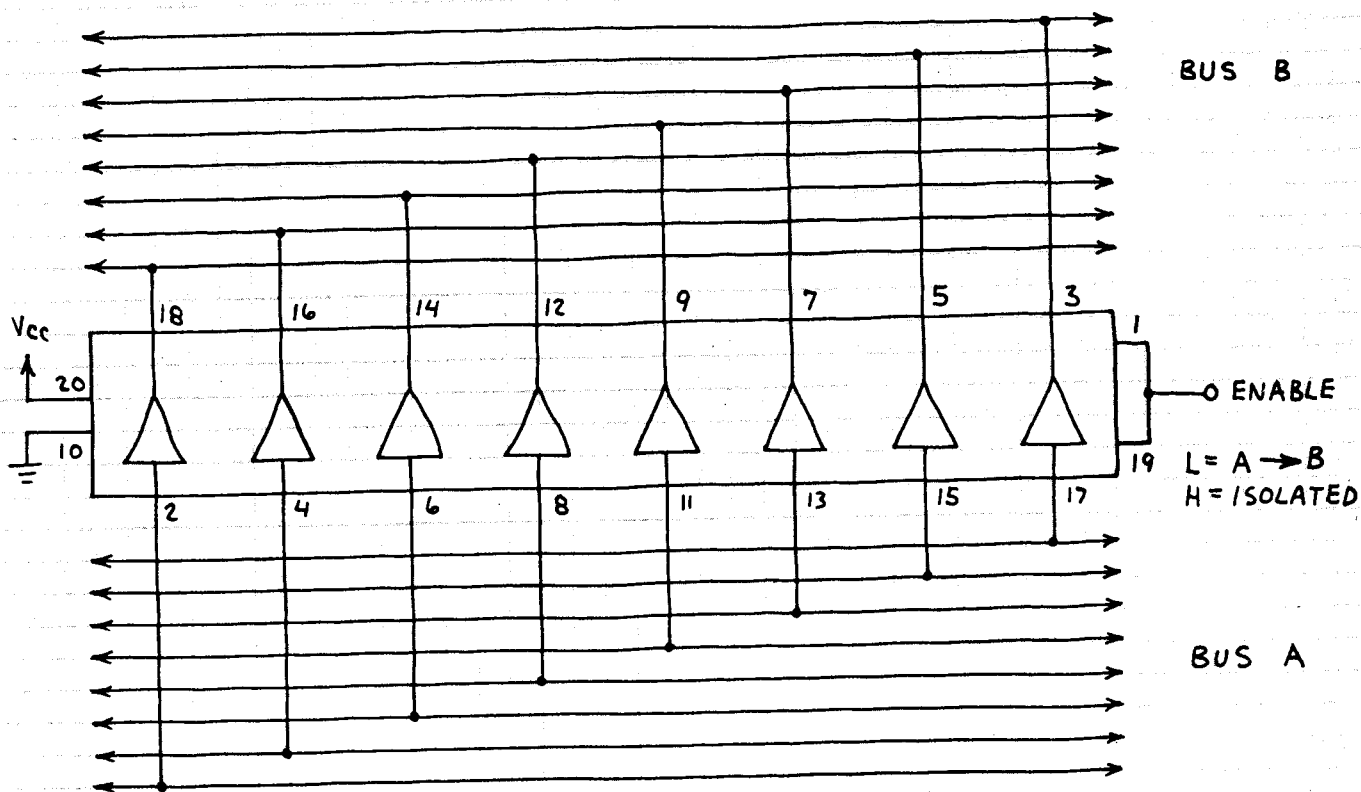
CONTROL (E1, E2)		OUT
L		\overline{IN}
H		HI-Z



4-BIT BUS TRANSFER

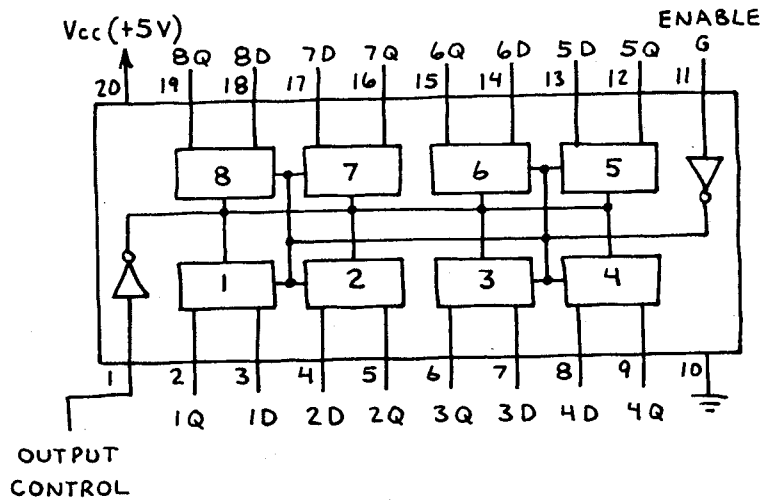


8-BIT BUS BUFFER

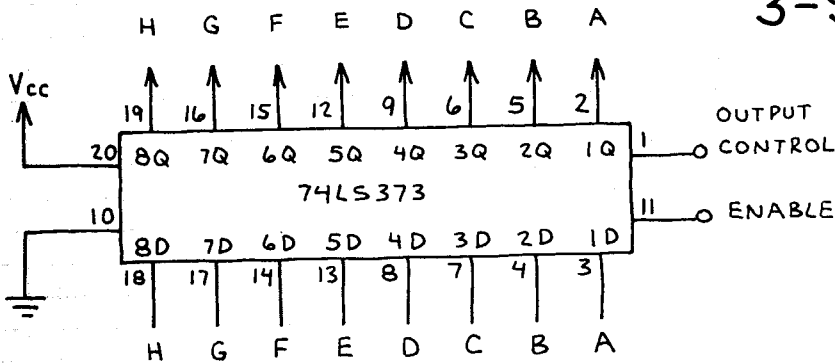


OCTAL D-TYPE LATCH 74LS373

EIGHT "TRANSPARENT" D-TYPE LATCHES. OUTPUT FOLLOWS INPUT WHEN ENABLE IS HIGH. THE DATA AT THE INPUTS IS LOADED WHEN THE ENABLE INPUT IS LOW. THIS CHIP HAS 3-STATE OUTPUTS WHICH ARE CONTROLLED BY PIN 1. SEE TRUTH TABLE BELOW.



3-STATE REGISTER



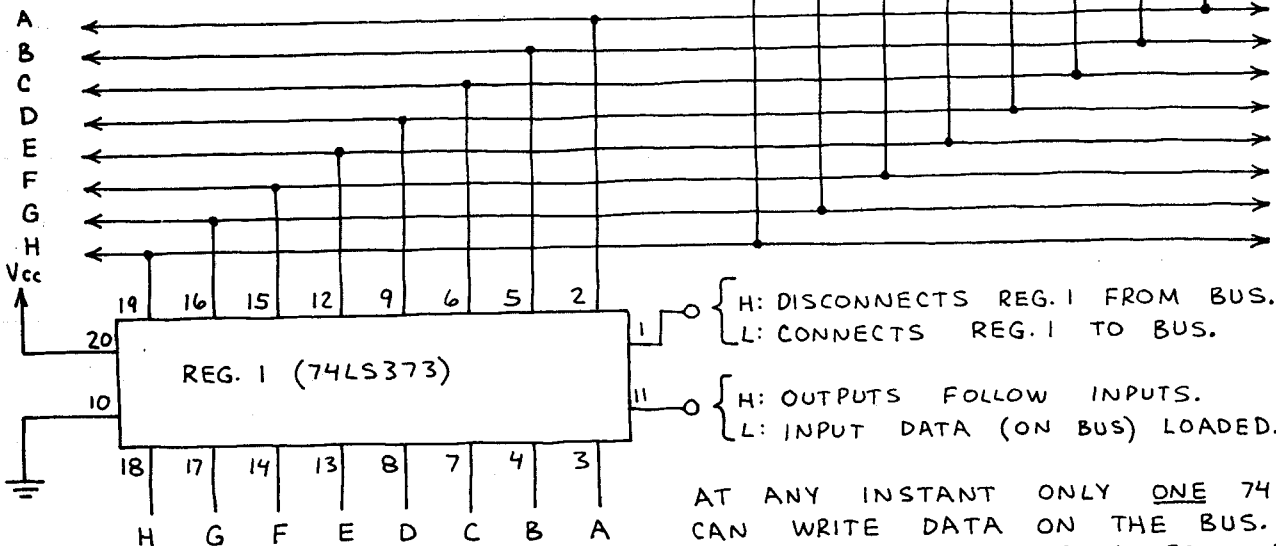
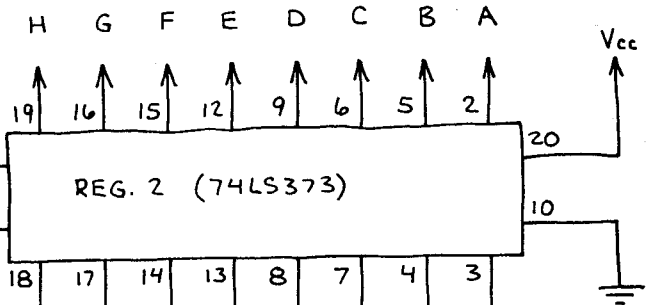
THIS IS A GENERAL PURPOSE 8-BIT STORAGE REGISTER. HERE'S THE TRUTH TABLE:

OUTPUT CONTROL	ENABLE	D	Q
L	H	H	H
L	H	L	L
L	L	X	Q
H	X	X	HI-Z

DATA BUS REGISTERS

H: PLACES OUTPUTS IN HI-Z MODE
L: MAKES DATA AVAILABLE

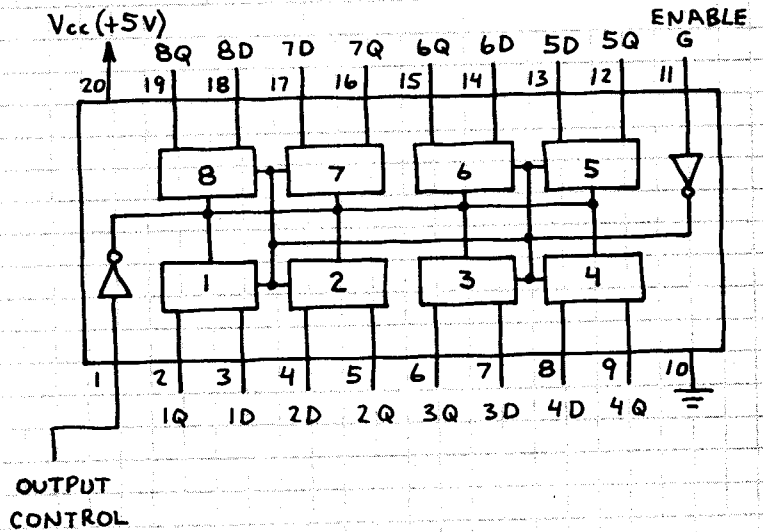
H: OUTPUTS FOLLOW DATA ON BUS
L: LOAD DATA FROM BUS



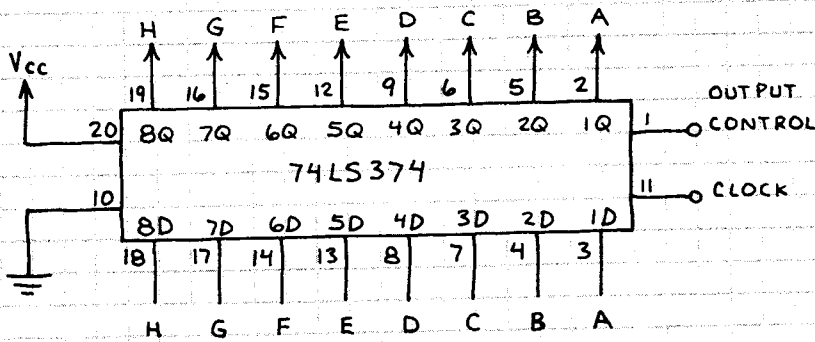
AT ANY INSTANT ONLY ONE 74LS373 CAN WRITE DATA ON THE BUS. ANY NUMBER CAN READ DATA FROM BUS.

OCTAL D FLIP-FLOP 74LS374

EIGHT D-TYPE EDGE TRIGGERED FLIP-FLOPS. UNLIKE 74LS373, OUTPUTS DO NOT FOLLOW INPUTS. INSTEAD, A RISING CLOCK PULSE AT PIN 11 LOADS DATA APPEARING AT INPUTS. THIS CHIP HAS 3-STATE OUTPUTS WHICH ARE CONTROLLED BY PIN 1.



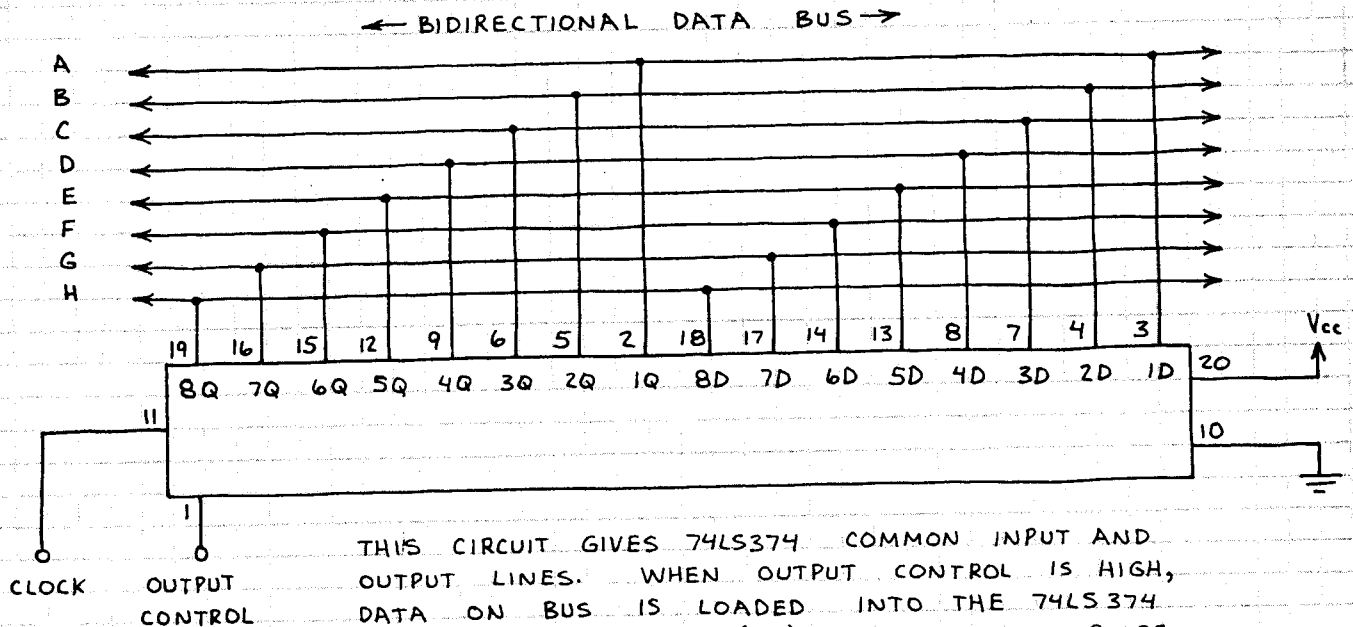
CLOCKED 3-STATE REGISTER



GENERAL PURPOSE CLOCKED REGISTER. HERE'S THE TRUTH TABLE:

OUTPUT CONTROL	CLOCK	D	Q
L	⌄	H	H
L	⌄	L	L
L	H	X	Q
H	X	X	HI-Z

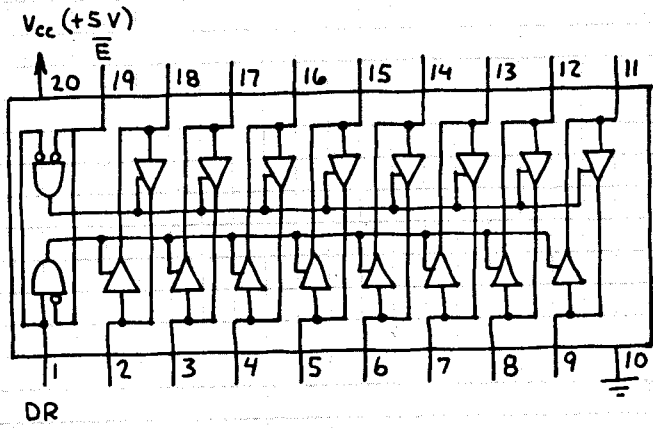
COMMON INPUT/OUTPUT BUS REGISTER



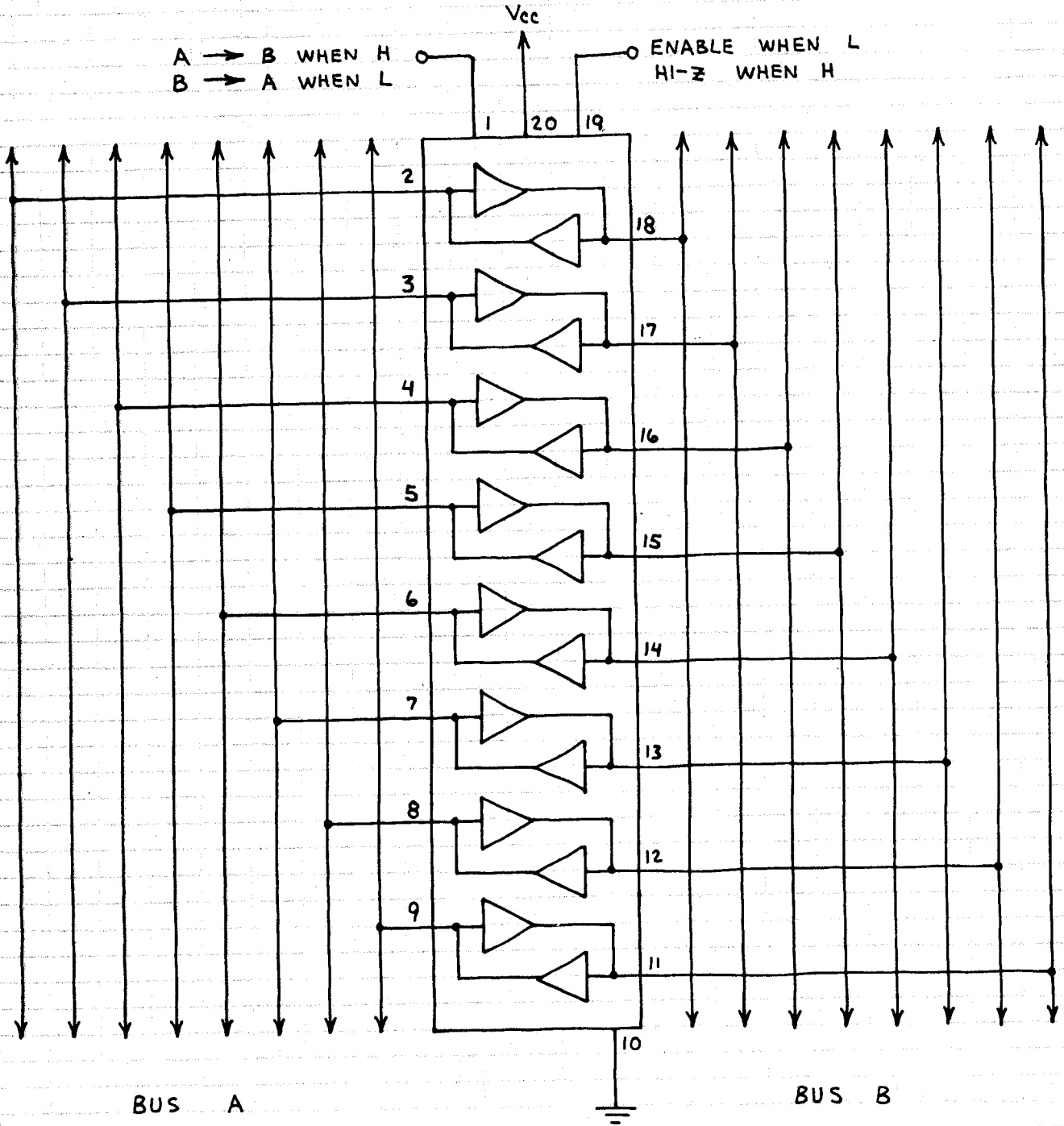
THIS CIRCUIT GIVES 74LS374 COMMON INPUT AND OUTPUT LINES. WHEN OUTPUT CONTROL IS HIGH, DATA ON BUS IS LOADED INTO THE 74LS374 ON THE RISING EDGE (⌄) OF THE CLOCK PULSE. WHEN OUTPUT CONTROL IS LOW, DATA IN THE 74LS374 IS WRITTEN ONTO THE BUS.

OCTAL BUS TRANSCEIVER 74LS245

ALLOWS DATA TO BE TRANSFERRED IN EITHER DIRECTION BETWEEN TWO BUSES. INCLUDES HIGH IMPEDANCE (HI-Z) OUTPUTS.



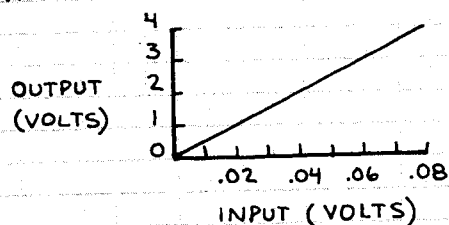
BUS TRANSCEIVER



LINEAR INTEGRATED CIRCUITS

INTRODUCTION

THE OUTPUT OF A LINEAR IC IS PROPORTIONAL TO THE SIGNAL AT ITS INPUT. THE CLASSIC LINEAR IC IS THE OPERATIONAL AMPLIFIER. THIS GRAPH SHOWS THE LINEAR INPUT-OUTPUT RELATIONSHIP OF A TYPICAL OP-AMP CIRCUIT:



MANY NON-DIGITAL ICs—INCLUDING OP-AMPS—CAN BE USED IN BOTH LINEAR AND NON-LINEAR MODES. THEY ARE SOMETIMES DESCRIBED AS ANALOG ICs.

LINEAR ICs GENERALLY REQUIRE MORE EXTERNAL COMPONENTS THAN DIGITAL ICs. THIS INCREASES THEIR SUSCEPTABILITY TO EXTERNAL NOISE AND MAKES THEM A LITTLE TRICKIER TO USE. ON THE OTHER HAND, SOME LINEAR ICs CAN DO ESSENTIALLY THE SAME THING AS A NETWORK OF DIGITAL CHIPS.

HERE'S A BRIEF DESCRIPTION OF THE LINEAR CHIPS IN THIS SECTION:

VOLTAGE REGULATORS

PROVIDE A STEADY VOLTAGE, EITHER FIXED OR ADJUSTABLE, THAT IS UNAFFECTED BY CHANGES IN THE SUPPLY VOLTAGE AS LONG AS THE SUPPLY VOLTAGE IS ABOVE THE DESIRED OUTPUT VOLTAGE.

OPERATIONAL AMPLIFIERS

THE IDEAL AMPLIFIER... ALMOST. HIGH INPUT IMPEDANCE AND GAIN. LOW OUTPUT IMPEDANCE. GAIN IS

EASILY CONTROLLED WITH A SINGLE FEEDBACK RESISTOR. FET INPUT OP-AMPS (BIFETS) HAVE A VERY HIGH FREQUENCY RESPONSE. IT'S USUALLY OK TO SUBSTITUTE OP-AMPS IF BOTH ARE NORMALLY POWERED BY A DUAL POLARITY SUPPLY ($\frac{1}{2}$ LF353 FOR 741C, ETC.)... BUT PERFORMANCE WILL IMPROVE OR DECREASE ACCORDING TO THE NEW OP-AMP'S SPECIFICATIONS.

COMPARATOR

SAME AS AN OP-AMP WITHOUT A FEEDBACK RESISTOR. ULTRA-HIGH GAIN GIVES A SNAP-LIKE RESPONSE TO AN INPUT VOLTAGE AT ONE INPUT THAT EXCEEDS A REFERENCE VOLTAGE AT THE SECOND INPUT.

TIMERS

USE ALONE OR WITH OTHER ICs FOR NUMEROUS TIMING AND PULSE GENERATION APPLICATIONS.

LED CHIPS

MOST IMPORTANT ARE A FLASHER CHIP AND A DOT-BARGRAPH ANALOG-TO-DIGITAL DISPLAY. VERY EASY TO USE.

OSCILLATORS

A VOLTAGE CONTROLLED OSCILLATOR AND A COMBINED VOLTAGE-TO-FREQUENCY AND FREQUENCY-TO-VOLTAGE CONVERTER. ALSO INCLUDED IS A TONE DECODER THAT CAN BE SET TO INDICATE A SPECIFIC FREQUENCY.

AUDIO AMPLIFIERS

THIS SECTION INCLUDES SEVERAL EASY TO USE POWER AMPLIFIERS THAT ARE IDEAL FOR DO-IT-YOURSELF STEREO, PUBLIC ADDRESS SYSTEMS, INTERCOMS AND OTHER AUDIO APPLICATIONS.

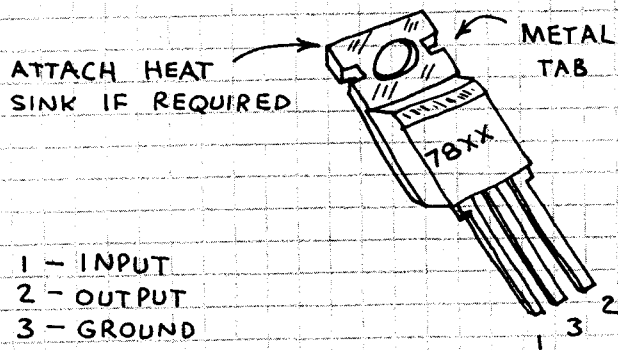
VOLTAGE REGULATORS

7805 (5-VOLTS)

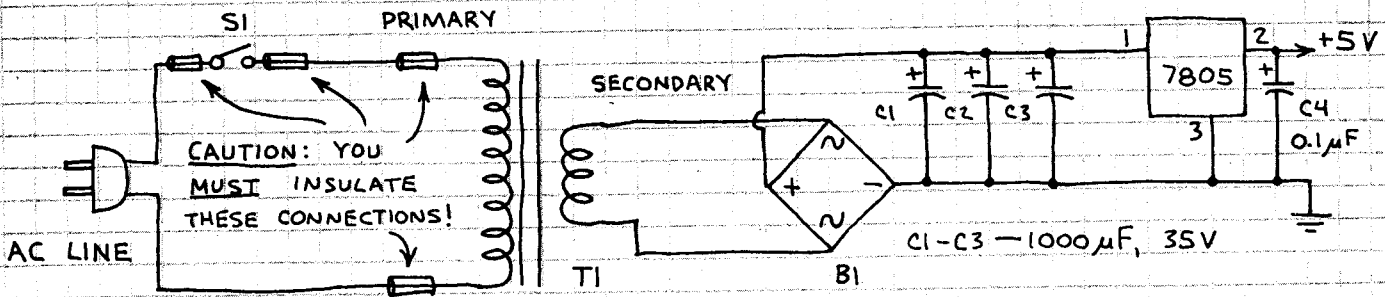
7812 (12-VOLTS)

7815 (15-VOLTS)

FIXED VOLTAGE REGULATORS. IDEAL FOR STAND-ALONE POWER SUPPLIES, ON-CARD REGULATORS, AUTOMOBILE BATTERY POWERED PROJECTS, ETC. UP TO 1.5 AMPERES OUTPUT IF PROPERLY HEAT SUNK AND SUFFICIENT INPUT CURRENT AVAILABLE. THERMAL SHUTDOWN CIRCUIT TURNS OFF REGULATOR IF HEATSINK TOO SMALL.

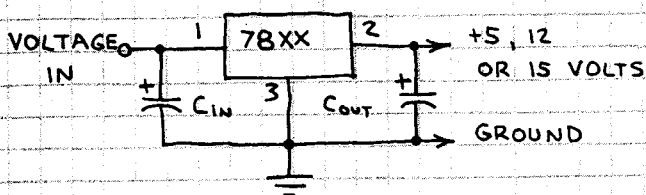


5-VOLT LINE POWERED TTL/LS POWER SUPPLY



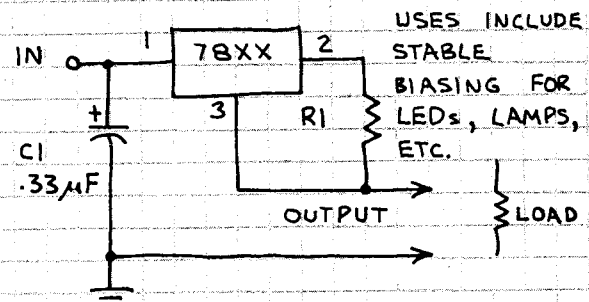
TI - 117-12.6 V, 1.2 A OR 3 A TRANSFORMER (273-1505 OR 273-1511).
 BI - 1A-4A FULL WAVE BRIDGE RECTIFIER (276-1161, 276-1151 OR 276-1171).
 (RADIO SHACK CATALOG NUMBERS IN PARENTHESES.)

VOLTAGE REGULATOR



C_{IN} - OPTIONAL; USE 0.33μF OR SO IF REGULATOR FAR FROM POWER SUPPLY.
 C_{OUT} - OPTIONAL; USE 0.1μF OR MORE TO TRAP SPIKES THAT BOTHER LOGIC ICs.

CURRENT REGULATOR

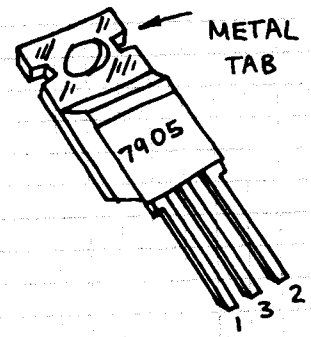


$$\text{OUTPUT CURRENT} = \frac{\text{REGULATOR VOLTS}}{R1}$$

-5 VOLT REGULATOR 7905

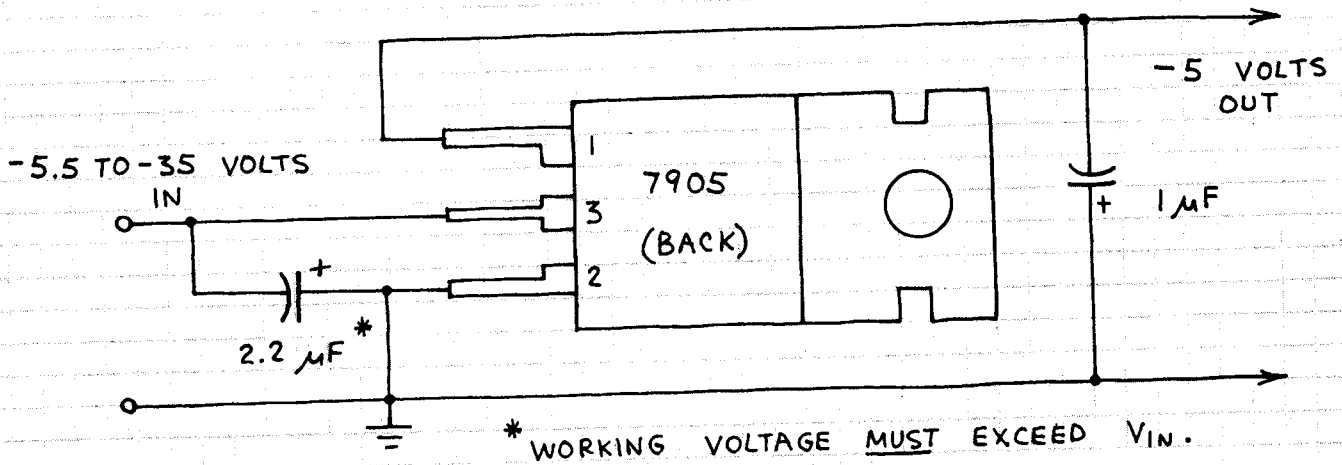
FIXED -5 VOLT REGULATOR. CAN BE USED TO GIVE ADJUSTABLE VOLTAGE OUTPUT. UP TO 1.5 AMPERES OUTPUT IF PROPERLY HEAT SUNK AND SUFFICIENT INPUT CURRENT AVAILABLE. THERMAL SHUTDOWN CIRCUIT TURNS REGULATOR OFF IF HEATSINK TOO SMALL.

ATTACH HEAT SINK IF REQUIRED

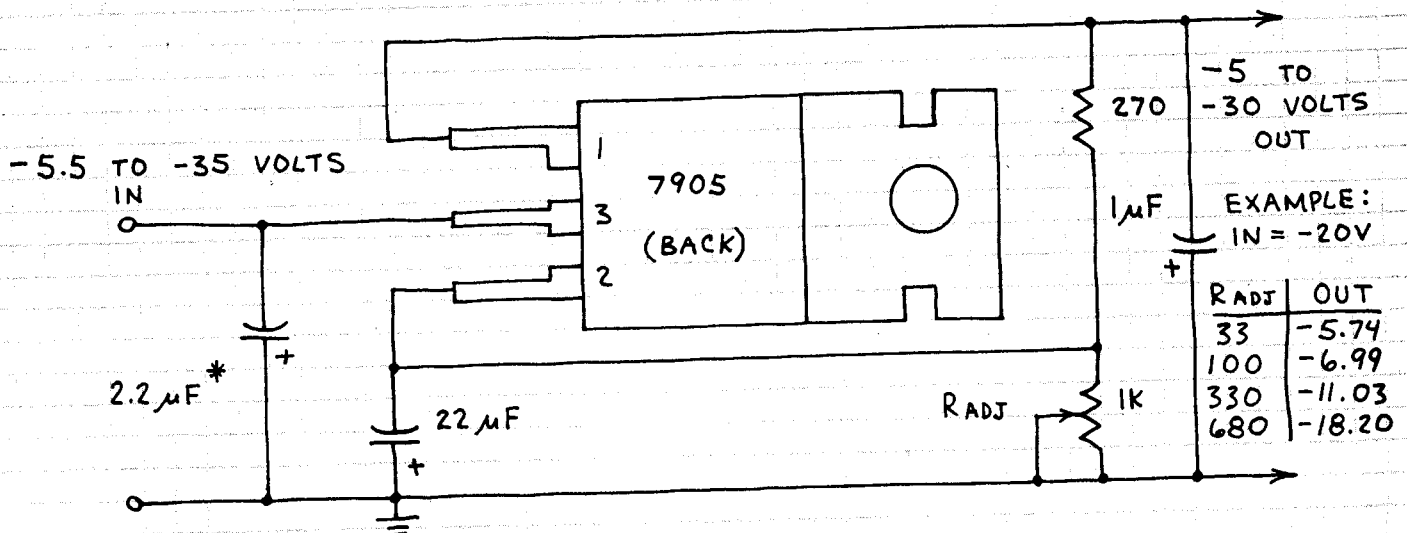


- 1 - GROUND
- 2 - OUTPUT
- 3 - INPUT

FIXED -5 VOLT REGULATOR

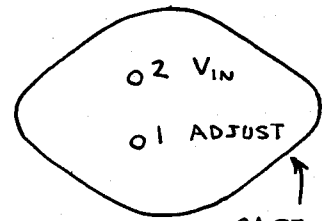


ADJUSTABLE NEGATIVE POWER SUPPLY



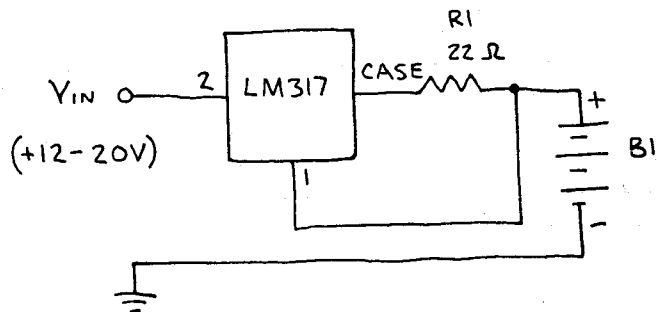
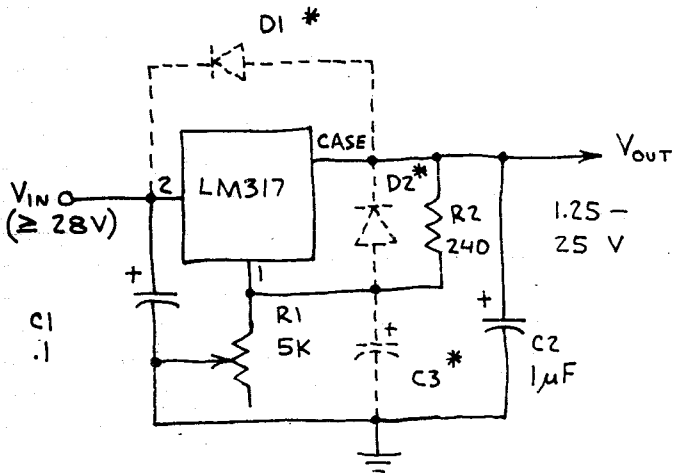
1.2-37 VOLT REGULATOR LM317

CAN SUPPLY UP TO 1.5 AMPERES OVER A 1.2-37 VOLT OUTPUT RANGE. NOTE MINIMUM NUMBER OF EXTERNAL COMPONENTS IN BASIC REGULATOR CIRCUIT BELOW. USE HEAT SINK FOR APPLICATIONS REQUIRING FULL POWER OUTPUT. SEE APPROPRIATE DATA BOOK FOR ADDITIONAL INFORMATION:



BOTTOM VIEW
(TO-3 CASE)

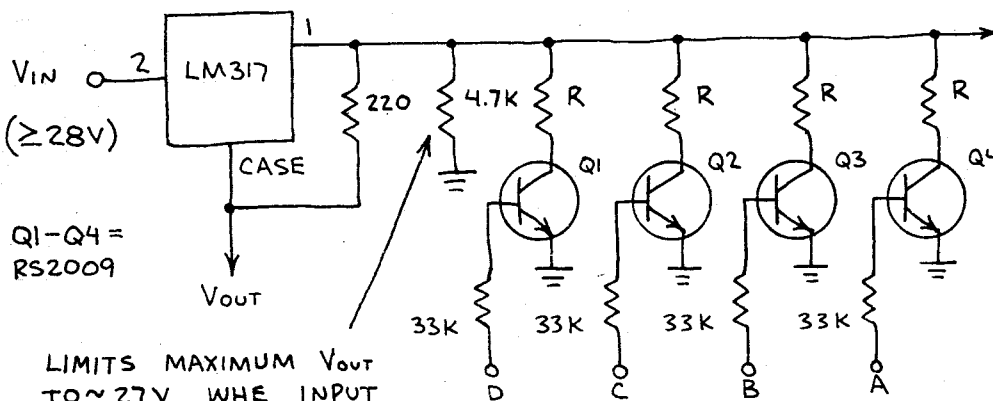
1.25-25 VOLT REGULATOR 6-VOLT NICAD CHARGER



B1 IS BATTERY OF 4 NICKEL CADMIUM STORAGE CELLS IN SERIES. THIS CIRCUIT CHARGES B1 AT A CURRENT OF 51.2 mA. INCREASE R1 TO REDUCE CURRENT. FOR EXAMPLE, CURRENT IS 43 mA WHEN R1 IS 24 OHMS.

V_{IN} SHOULD BE FILTERED. OK TO OMIT C1 IF V_{IN} VERY CLOSE TO LM317. R1 CONTROLS OUTPUT VOLTAGE. * ADD IF OUTPUT > 25 V AND $C2 > 25\mu F$.

PROGRAMMABLE POWER SUPPLY



TO ADDITIONAL STAGES
DCBA INPUTS: CONNECT TO PIN 2 TO SELECT.

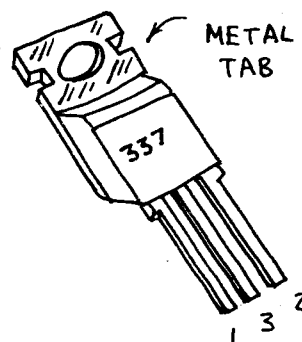
R	V_{OUT}
100	1.8
330	3.0
470	4.0
1K	7.3
2.2K	13.5
3.3K	18.0

LIMITS MAXIMUM V_{OUT} TO ~27V WHE INPUT IS 28V.

-1.2 TO -37 VOLT REGULATOR 337T

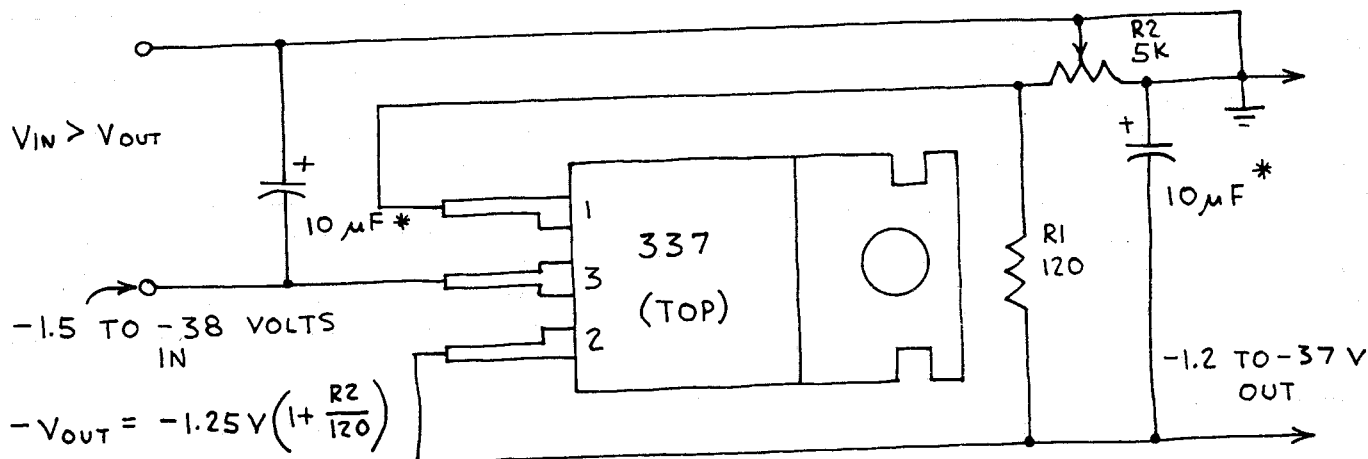
CAN SUPPLY UP TO -1.5
AMPERES OVER A -1.2
TO -37 VOLT OUTPUT
RANGE. FEW EXTERNAL
COMPONENTS REQUIRED.
COMPLEMENTS LM317
ADJUSTABLE POSITIVE
REGULATOR.

ATTACH HEAT
SINK IF REQUIRED



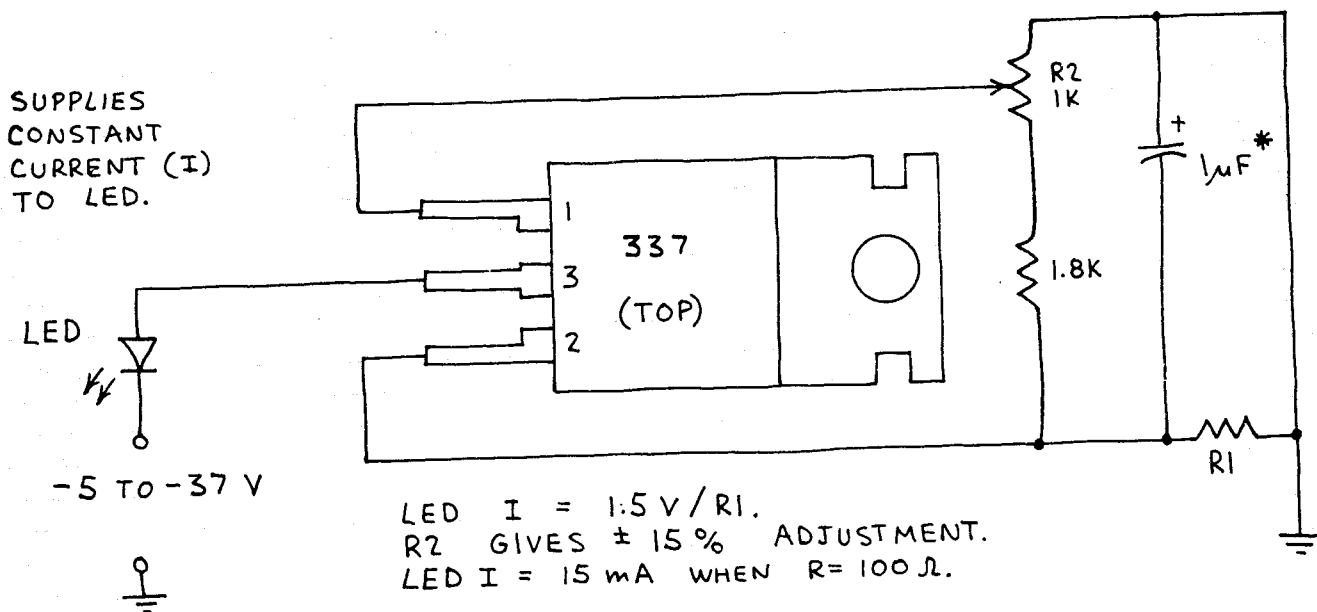
- 1 - ADJUST
- 2 - OUTPUT
- 3 - INPUT

ADJUSTABLE NEGATIVE REGULATOR



* WORKING VOLTAGE MUST EXCEED V_{IN} .

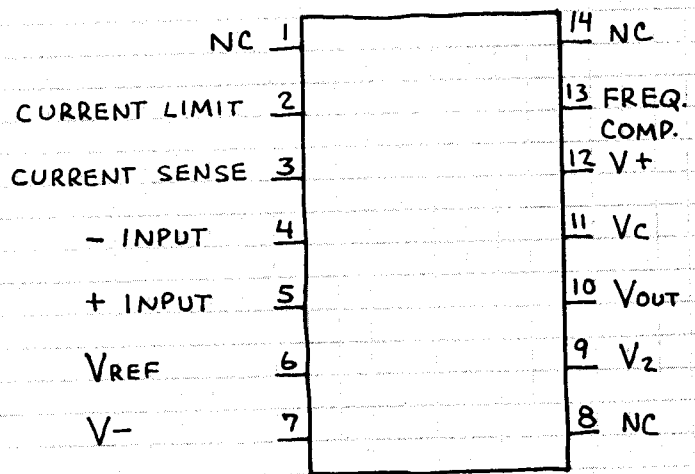
PRECISION LED REGULATOR



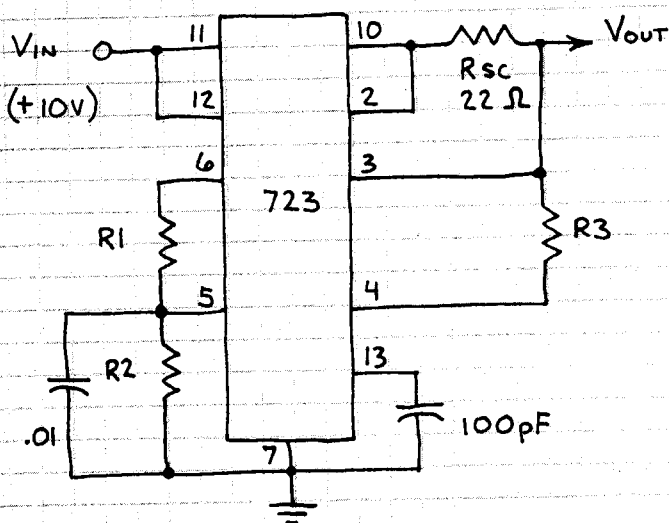
2-37 VOLT REGULATOR

723

VERY VERSATILE SERIES REGULATOR. UP TO 40 VOLTS INPUT AND 2-37 VOLT OUTPUT. MAXIMUM OUTPUT CURRENT OF 150 mA CAN BE EXTENDED TO 1.0 A BY ADDING EXTERNAL POWER TRANSISTORS. SHOWN BELOW ARE TWO BASIC CIRCUITS. TRY THESE, THEN SEE APPROPRIATE DATA BOOK FOR ADDITIONAL CIRCUITS.



2-7 VOLT REGULATOR



TYPICAL VALUES

Vout	R1	R2	R3
3.0	4.12 K	3.01 K	1.74 K
3.6	3.57 K	3.65 K	1.80 K
5.0	2.15 K	4.99 K	1.50 K
6.0	1.15 K	6.04 K	966

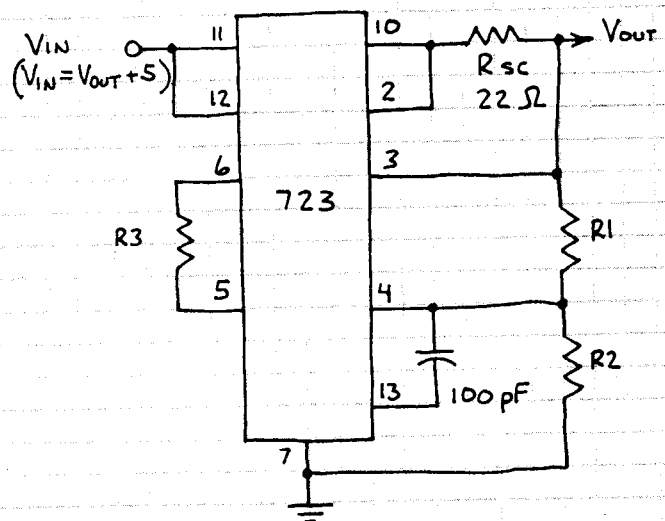
FOR ANY VOLTAGE BETWEEN 2-7 VOLTS:

$$V_{out} = (V_{REF}^*) \times \left(\frac{R_2}{R_1 + R_2} \right)$$

* $V_{REF} = 6.8 - 7.5$ V (MEASURE AT PIN 6)

$$R_3 = \frac{R_1 \times R_2}{R_1 + R_2}$$

7-37 VOLT REGULATOR



TYPICAL VALUES

Vout	R1	R2	R3
9	1.87 K	7.15 K	.48 K
12	4.87 K	7.15 K	2.90 K
15	7.87 K	7.15 K	3.75 K
28	21.0 K	7.15 K	5.33 K

FOR ANY VOLTAGE BETWEEN 7-37 VOLTS:

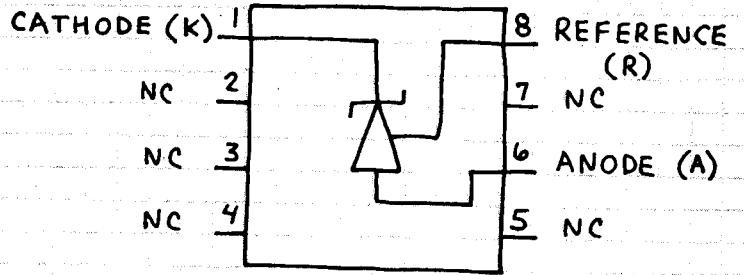
$$V_{out} = (V_{REF}^*) \times \left(\frac{R_1 + R_2}{R_2} \right)$$

$R_3 = \frac{R_1 \times R_2}{R_1 + R_2}$ (R3, WHICH IS OPTIONAL, GIVES TEMPERATURE STABILITY)

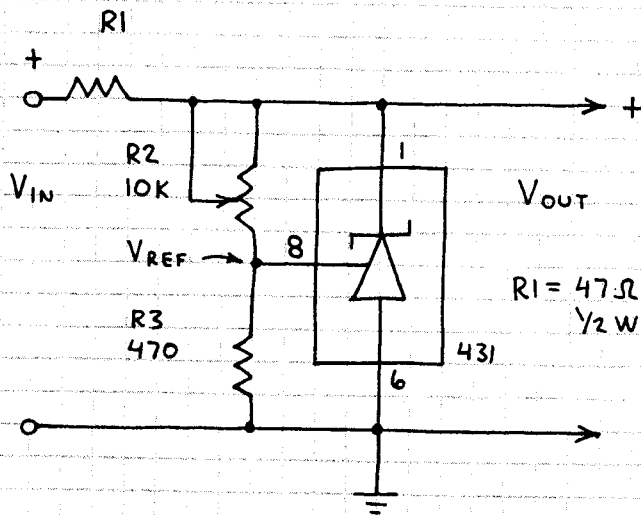
ADJUSTABLE SHUNT (ZENER) REGULATOR

TL431

EASY TO USE THREE TERMINAL ADJUSTABLE PRECISION SHUNT REGULATOR. OUTPUT CAN BE SET TO FROM 2.5 TO 36 VOLTS.

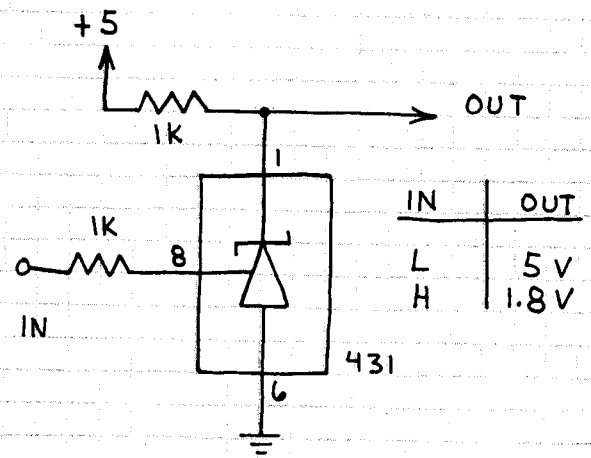


ADJUSTABLE REGULATOR



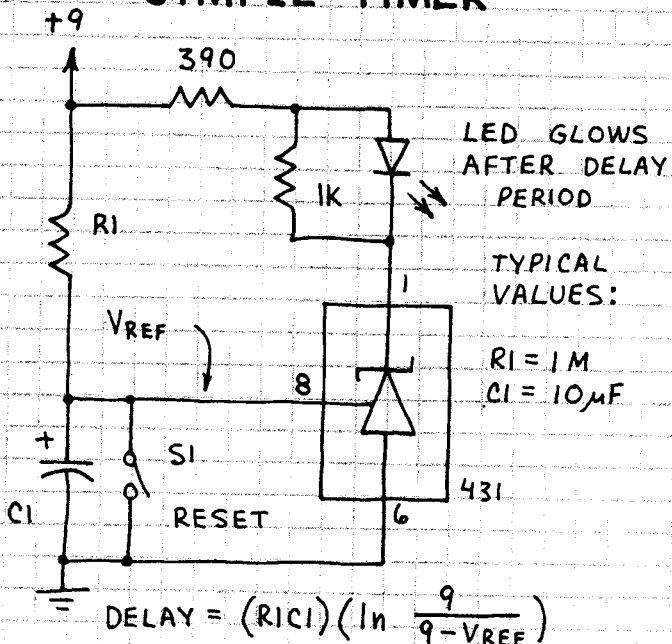
$$V_{OUT} = (1 + R_1/R_2) V_{REF} = 3-30V$$

VOLTAGE DETECTOR

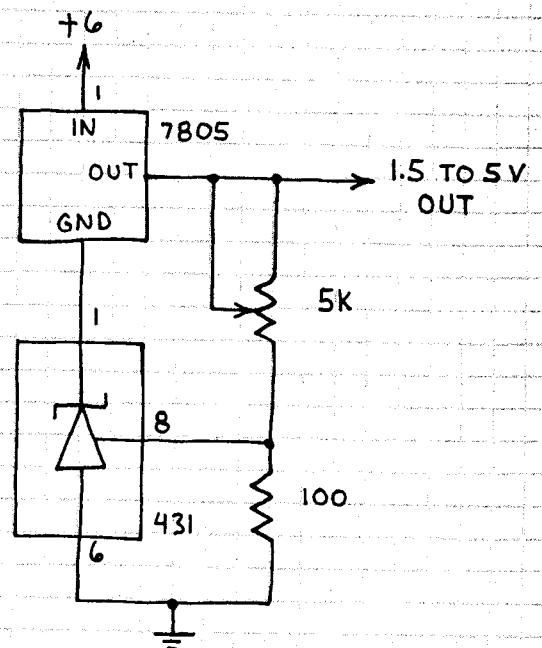


USE TO DETECT TTL LOGIC LEVELS.

SIMPLE TIMER



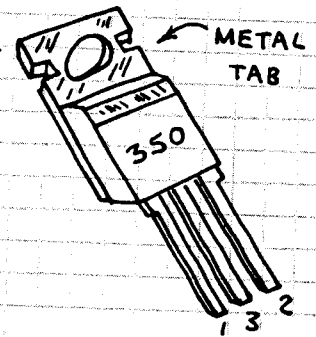
1.5 TO 5V POWER SUPPLY



1.2 TO 33 VOLT REGULATOR 350T

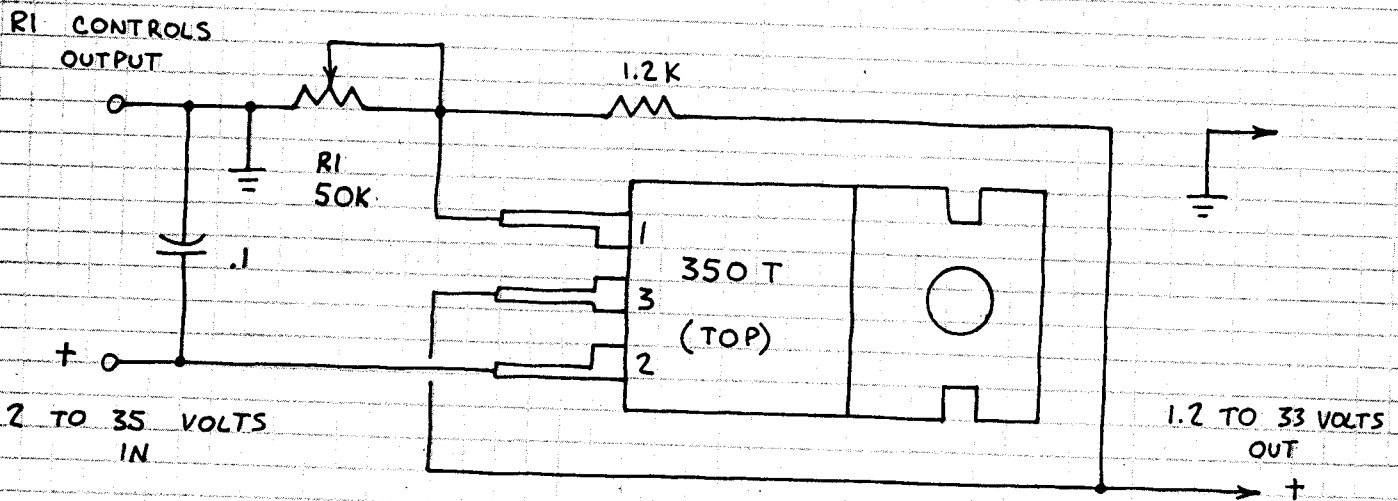
CAN SUPPLY UP TO
3 AMPERES OVER 1.2
TO 33 VOLT OUTPUT
RANGE. FEW EXTERNAL
COMPONENTS REQUIRED.
HEAT SINK REQUIRED
FOR FULL POWER OUTPUT.

ATTACH HEAT
SINK IF REQUIRED

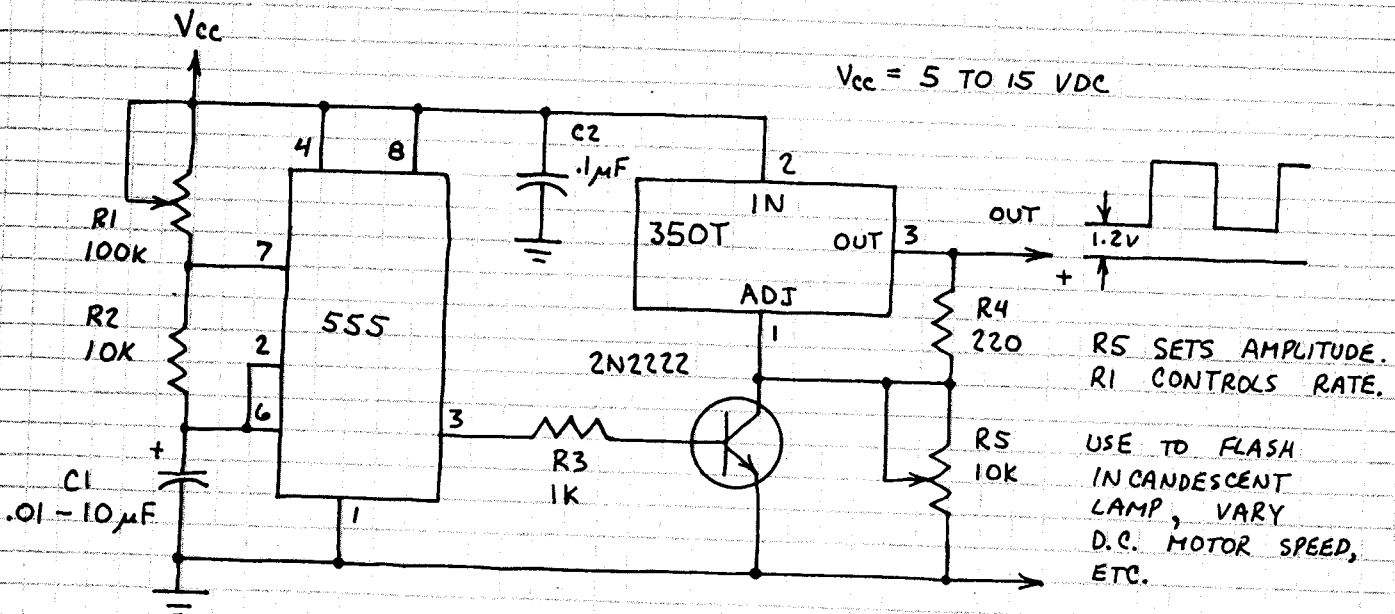


1 - ADJUST
2 - INPUT
3 - OUTPUT

1.2 TO 20 VOLT REGULATOR

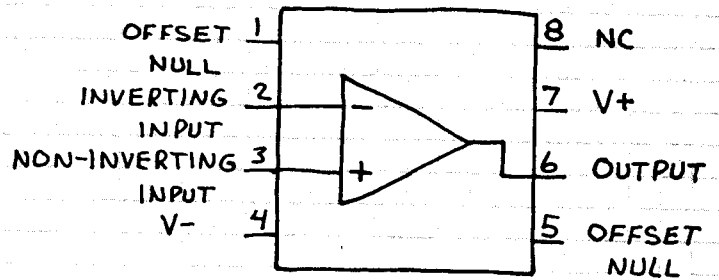


POWER PULSE GENERATOR

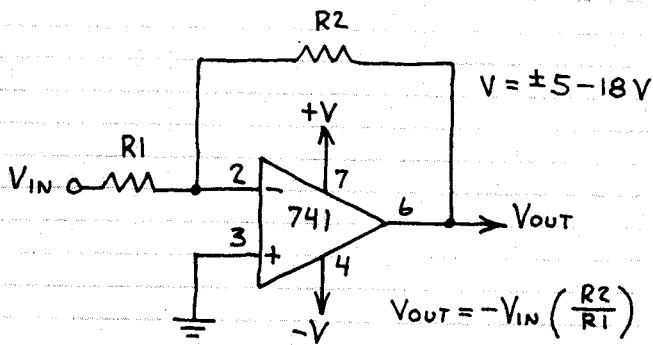


OPERATIONAL AMPLIFIER 741C

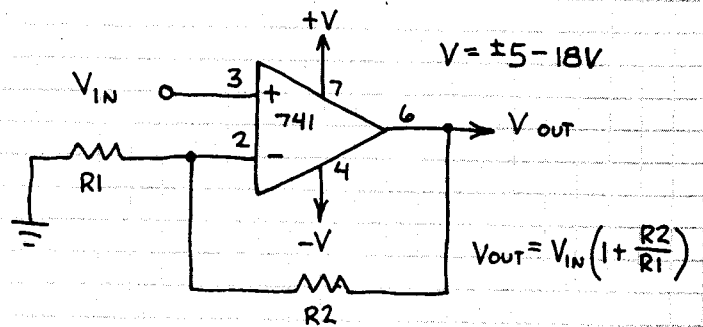
THE MOST POPULAR OP-AMP. USE FOR ALL GENERAL PURPOSE APPLICATIONS. (FOR SINGLE SUPPLY OPERATION AND VERY HIGH INPUT IMPEDANCE, USE OTHER OP-AMPS IN THIS NOTEBOOK.)



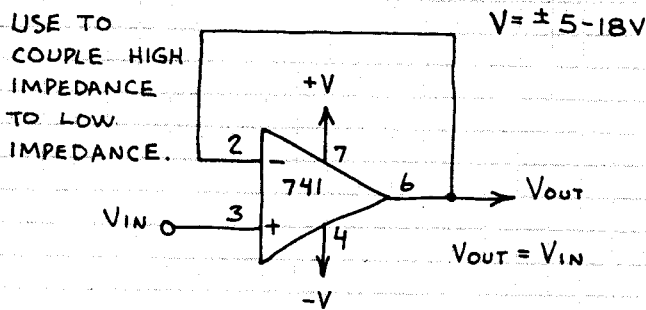
INVERTING AMPLIFIER



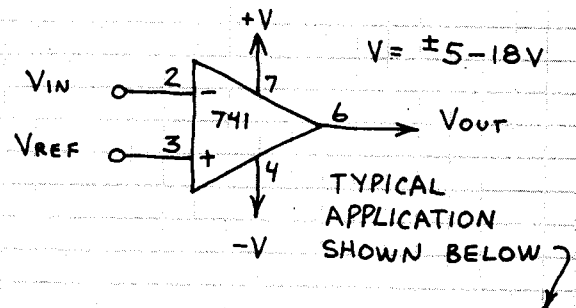
NON-INVERTING AMPLIFIER



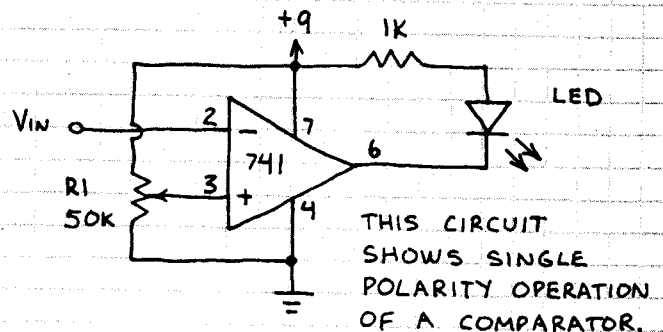
UNITY GAIN FOLLOWER



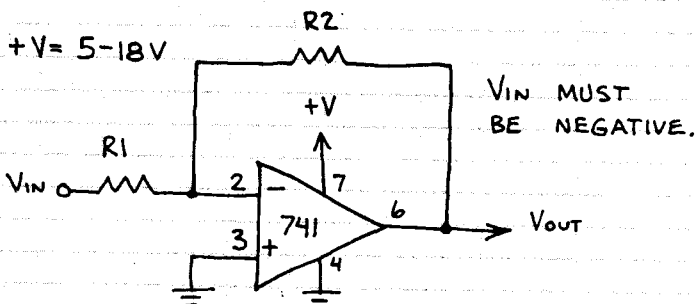
COMPARATOR



LEVEL DETECTOR



SINGLE POLARITY SUPPLY



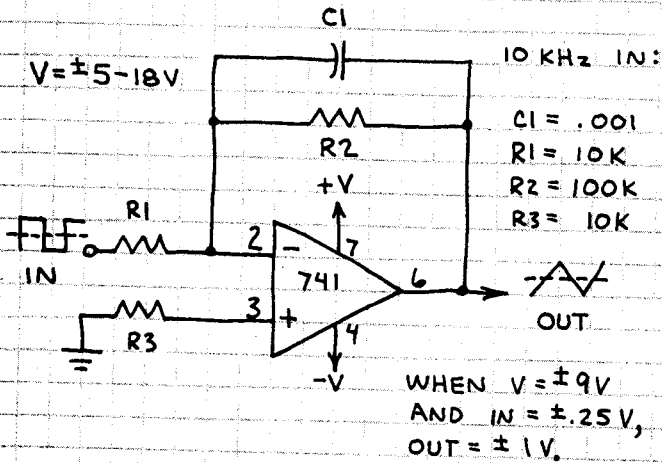
TYPICAL USES:
AMPLIFICATION OF DC VOLTAGE AND PULSES.

R_1 SETS THE VOLTAGE DETECTION THRESHOLD (UP TO +9). WHEN V_{IN} EXCEEDS THE THRESHOLD (ALSO CALLED THE REFERENCE), THE LED GLOWS.

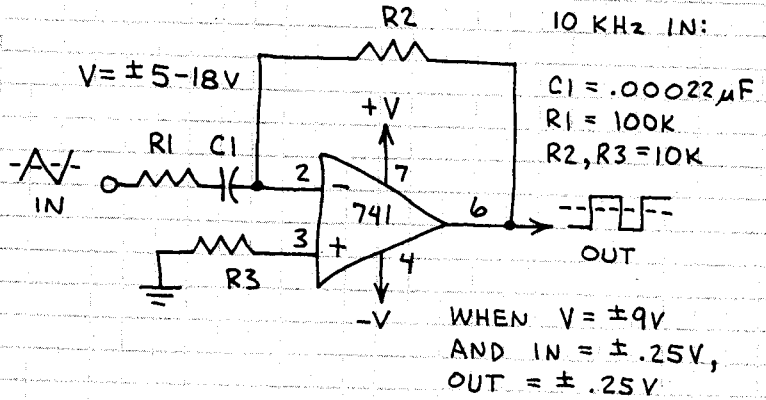
OPERATIONAL AMPLIFIER (CONTINUED)

741C

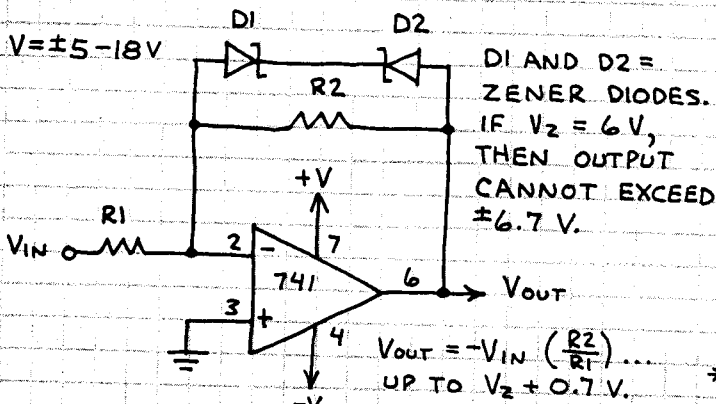
BASIC INTEGRATOR



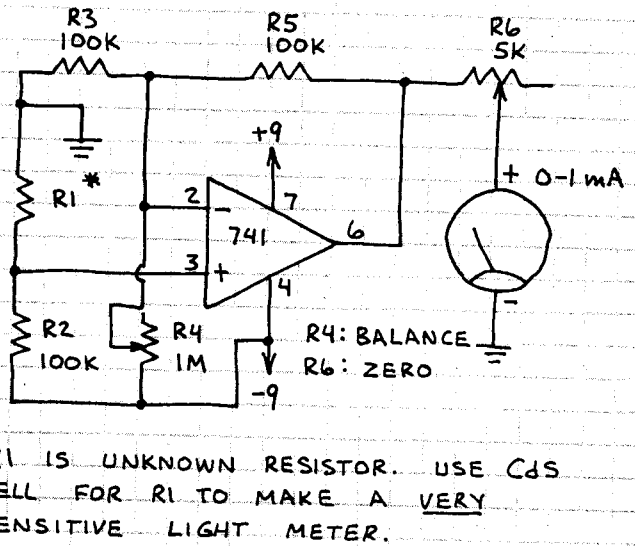
BASIC DIFFERENTIATOR



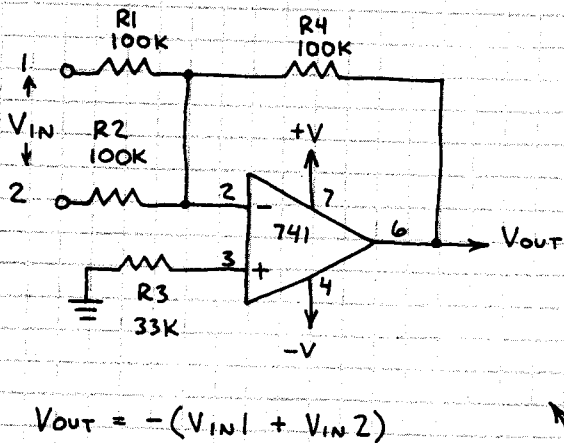
CLIPPING AMPLIFIER



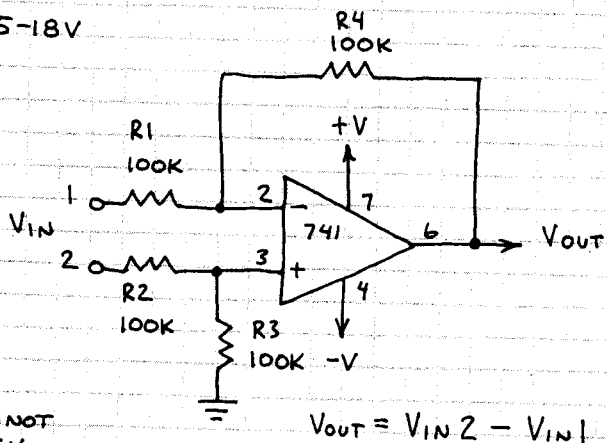
BRIDGE AMPLIFIER



SUMMING AMPLIFIER



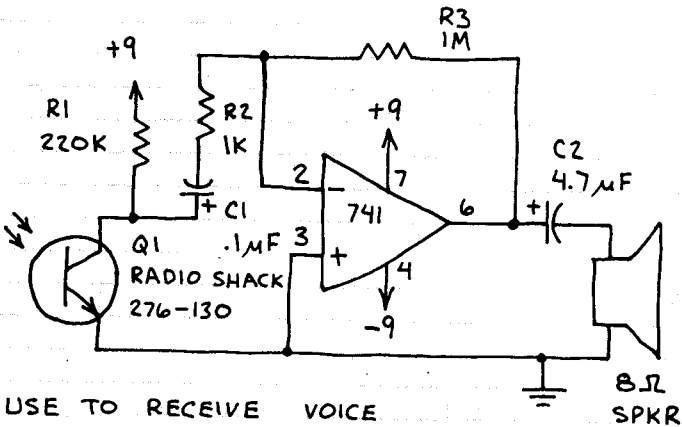
DIFFERENCE AMPLIFIER



NOTE: V_{OUT} CANNOT EXCEED $\pm V$.

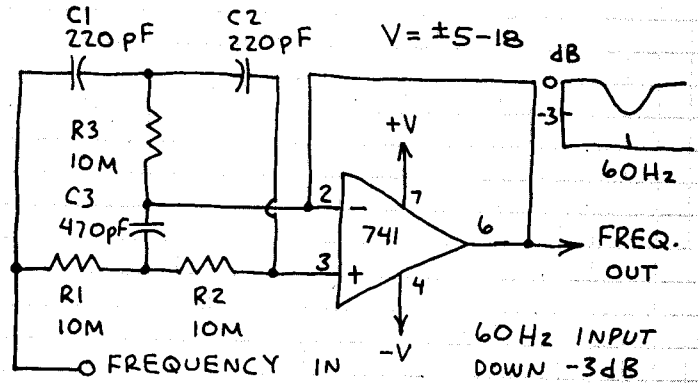
OPERATIONAL AMPLIFIER 741C (CONTINUED)

LIGHT WAVE RECEIVER

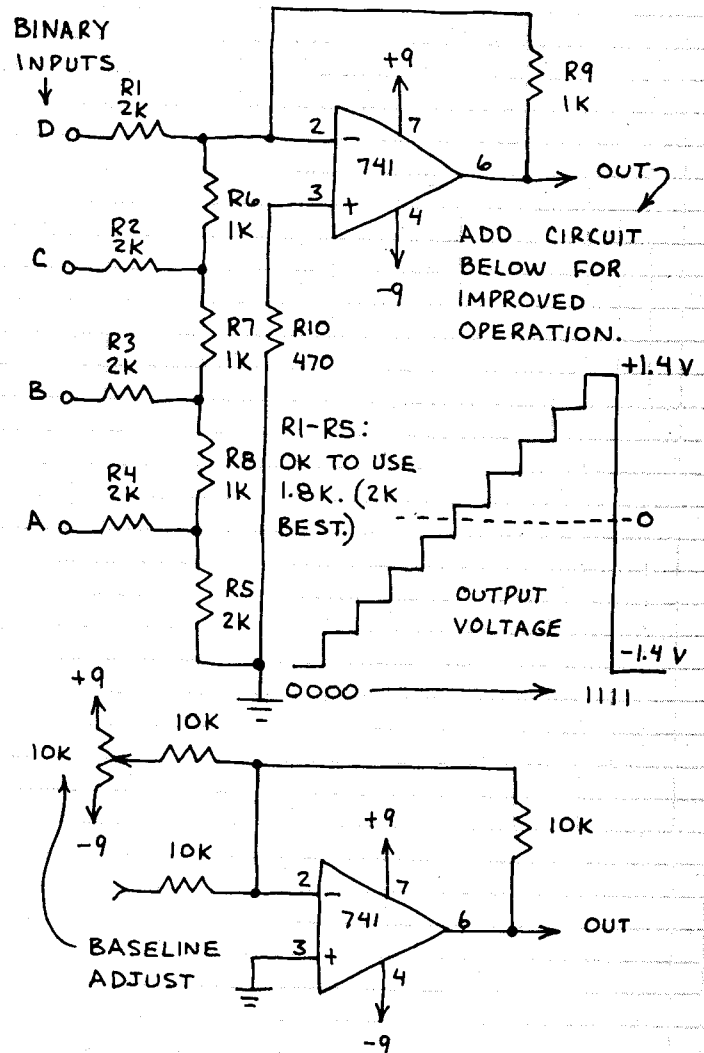


USE TO RECEIVE VOICE MODULATED LIGHT WAVES. OK TO USE SINGLE POLARITY POWER SUPPLY FOR NON-VOICE RECEPTION.

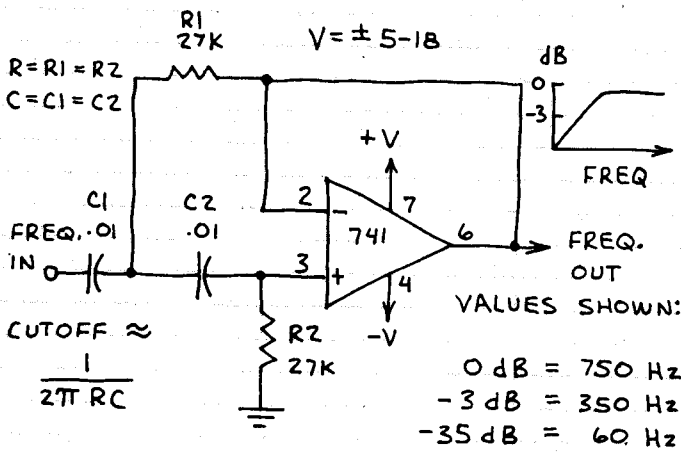
60-Hz NOTCH FILTER



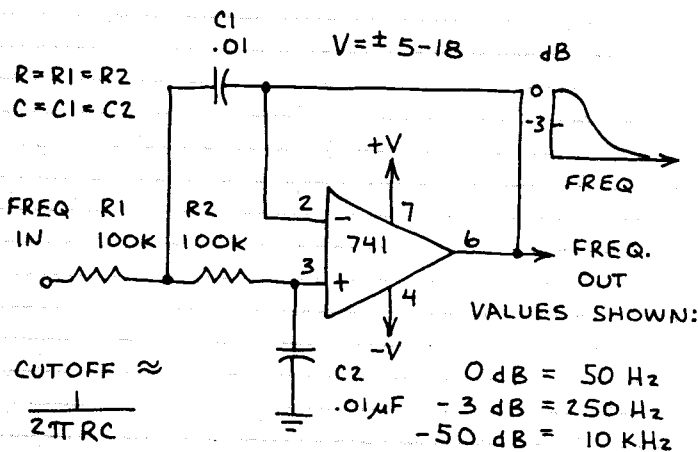
4-BIT D/A CONVERTER



HIGH PASS ACTIVE FILTER

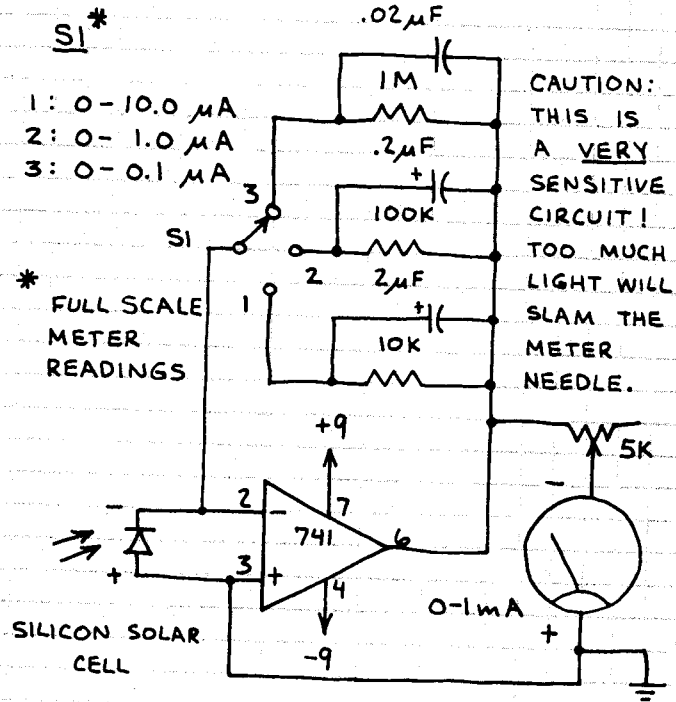


LOW PASS ACTIVE FILTER



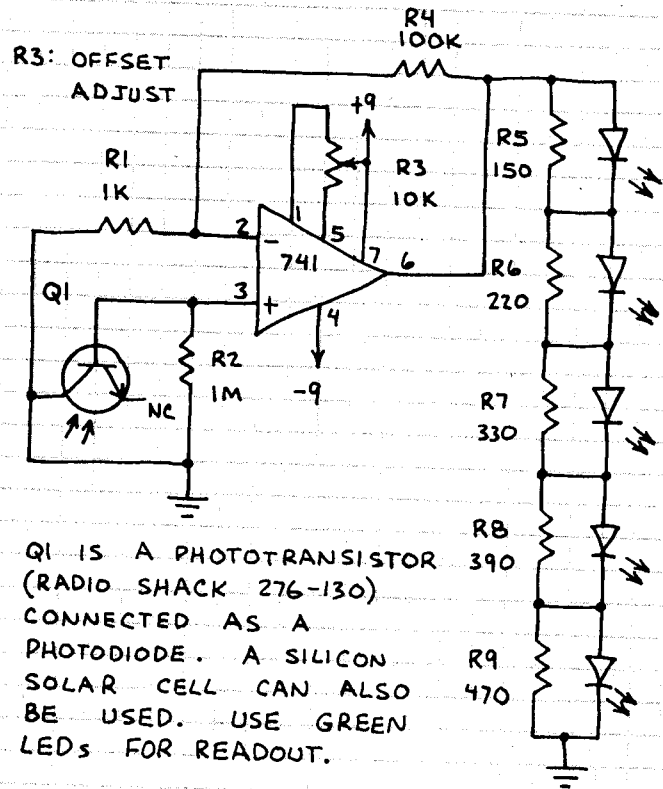
OPERATIONAL AMPLIFIER (CONTINUED) 741C

OPTICAL POWER METER

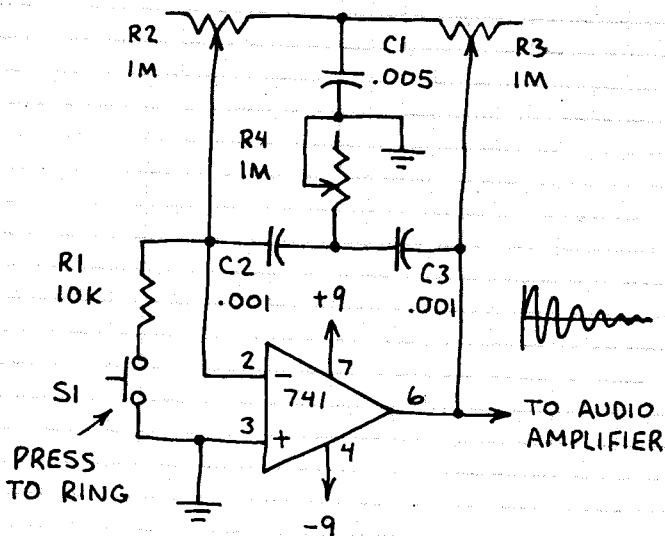


THIS CIRCUIT CAN BE USED AS A FAIRLY GOOD QUALITY RADIOMETER.

BARGRAPH LIGHT METER

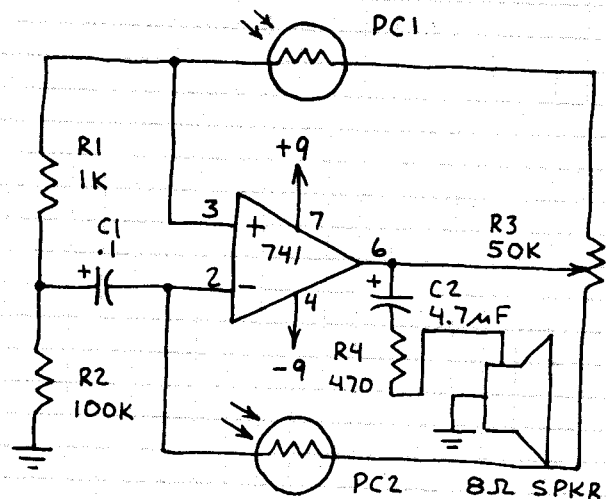


ELECTRONIC BELL



ADJUST R3 TO JUST BELOW OSCILLATION POINT. ADJUST R2 AND R3 FOR SOUNDS SUCH AS BELL, DRUM, TINKLING, ETC.

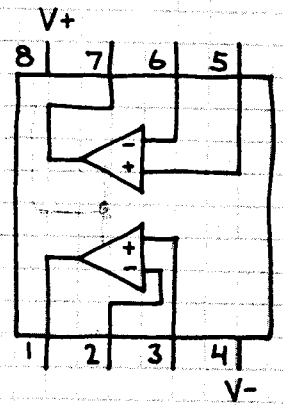
AUDIBLE LIGHT SENSOR



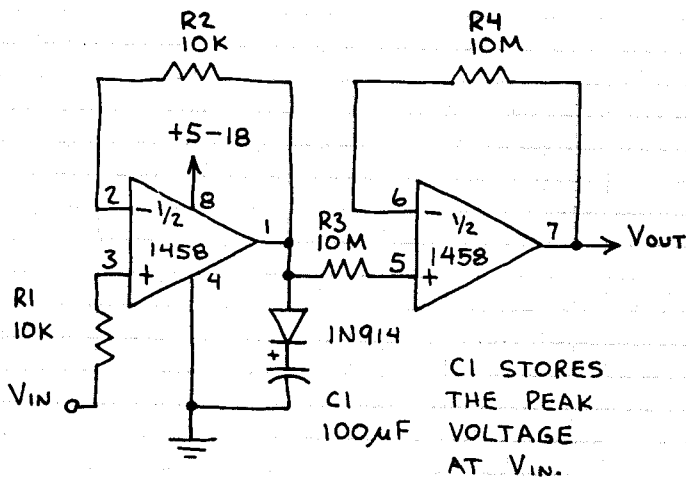
LIGHT ON PC1 DECREASES TONE FREQUENCY.
LIGHT ON PC2 INCREASES TONE FREQUENCY.

DUAL OPERATIONAL AMPLIFIER 1458

TWO 741C OP-AMPS IN A SINGLE 8-PIN MINI-DIP. TRY TO USE THIS CHIP FOR CIRCUITS THAT REQUIRE TWO OR MORE 741'S. YOU'LL SAVE TIME, SPACE AND MONEY.

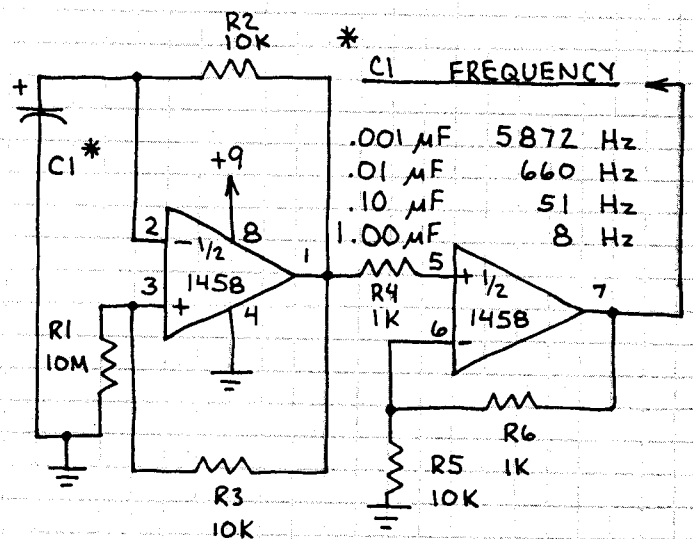


PEAK DETECTOR



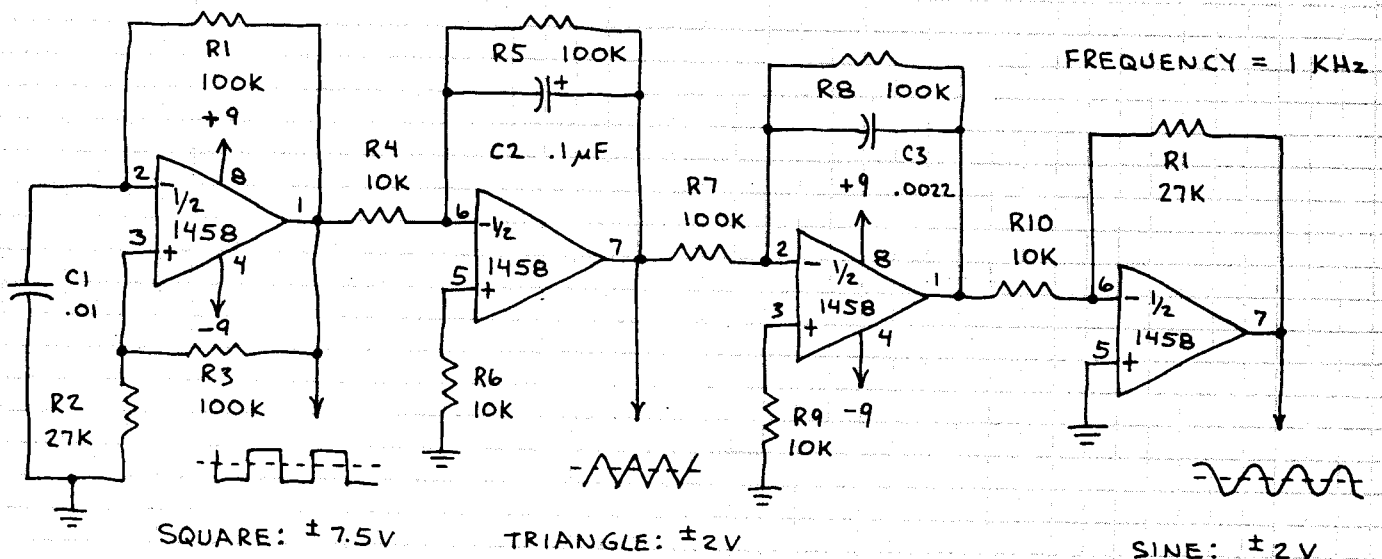
APPLICATIONS INCLUDE USE AS ANALOG "MEMORY" THAT STORES PEAK AMPLITUDE OF A FLUCTUATING VOLTAGE.

PULSE GENERATOR



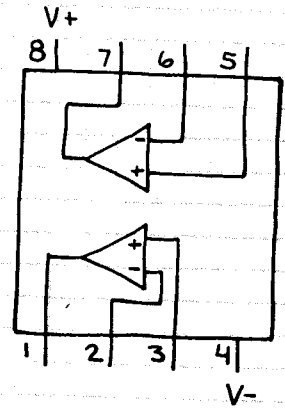
PULSES ARE DC. AMPLITUDE WHEN $C1 = 0.1 \mu F$ IS 5 VOLTS.

FUNCTION GENERATOR

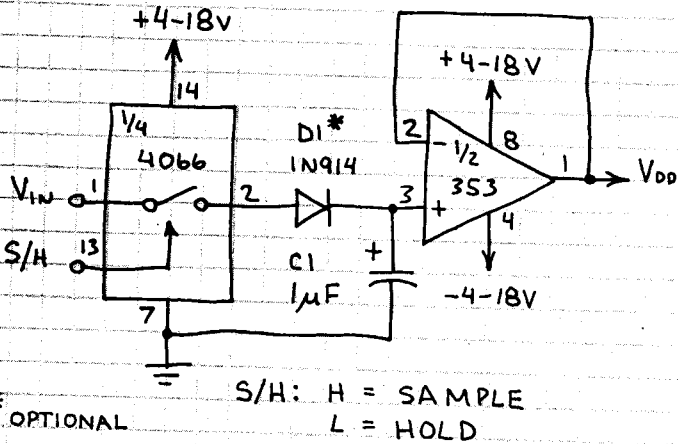


DUAL OPERATIONAL AMPLIFIER LF353N (JFET INPUT)

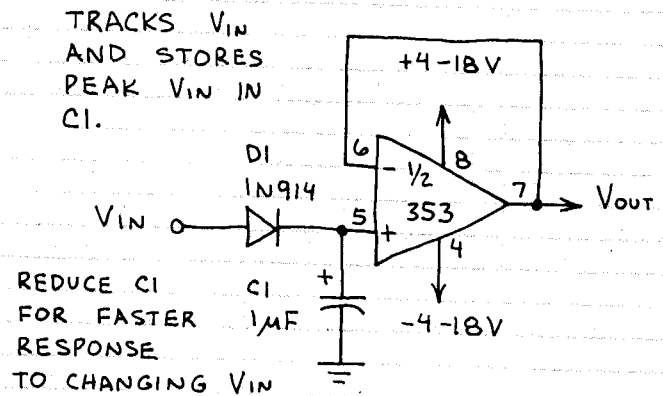
HIGH IMPEDANCE (10^{12} OHM) JUNCTION FET INPUTS. OUTPUT SHORT CIRCUIT PROTECTION. HIGH SLEW RATE ($13V/\mu\text{SEC}$), LOW NOISE OPERATION. AMPLIFIERS ARE SIMILAR TO THOSE IN THE TLO84C. NOTE THAT PIN CONNECTIONS ARE THE SAME AS 1458. THIS OP-AMP, HOWEVER, OFFERS MUCH BETTER PERFORMANCE.



SAMPLE AND HOLD

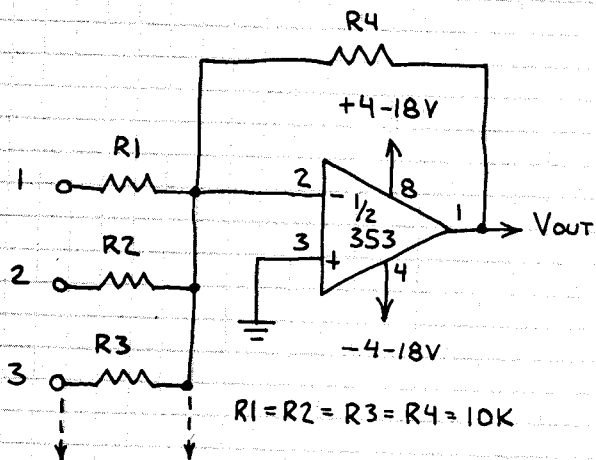


PEAK DETECTOR

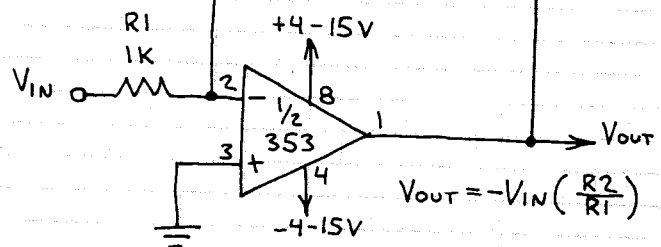
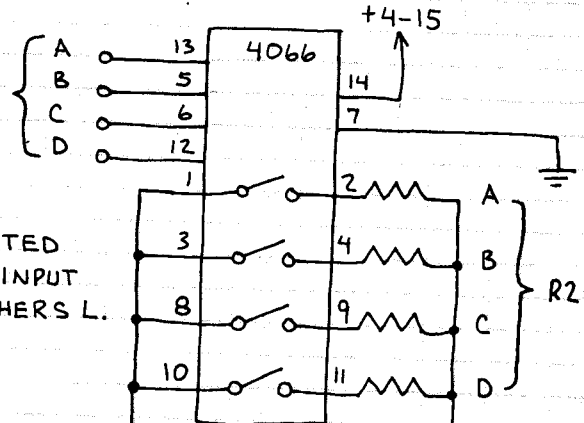


PROGRAMMABLE GAIN OP-AMP

AUDIO MIXER



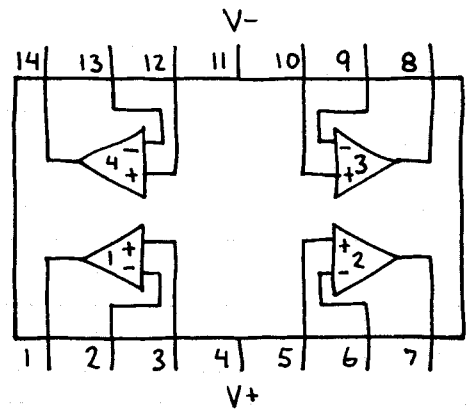
GAIN SELECT



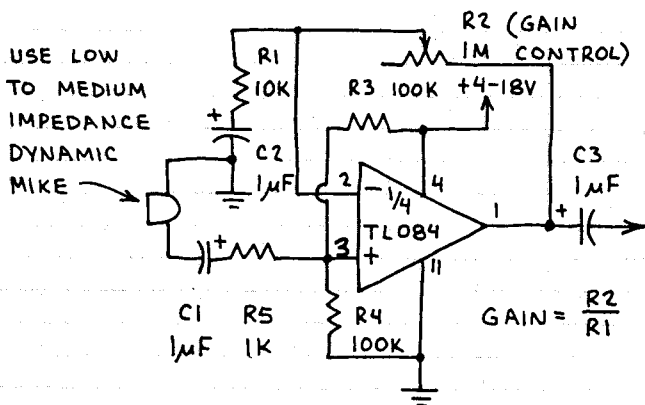
CONNECT OUTPUTS OF PREAMPLIFIERS TO INPUTS 1-3. OK TO ADD MORE CHANNELS. WORKS WELL WITH TLO84 MICROPHONE PREAMPLIFIERS.

QUAD OPERATIONAL AMPLIFIER TL084C (JFET INPUT)

HIGH IMPEDANCE (10^{12} OHMS) JUNCTION FET INPUTS. OUTPUT SHORT CIRCUIT PROTECTION. HIGH SLEW RATE (12 V/ μ SEC) PLUS LOW NOISE OPERATION. PERFORMANCE SIMILAR TO LF353N. NOTE THAT PIN CONNECTIONS ARE SAME AS LM324.



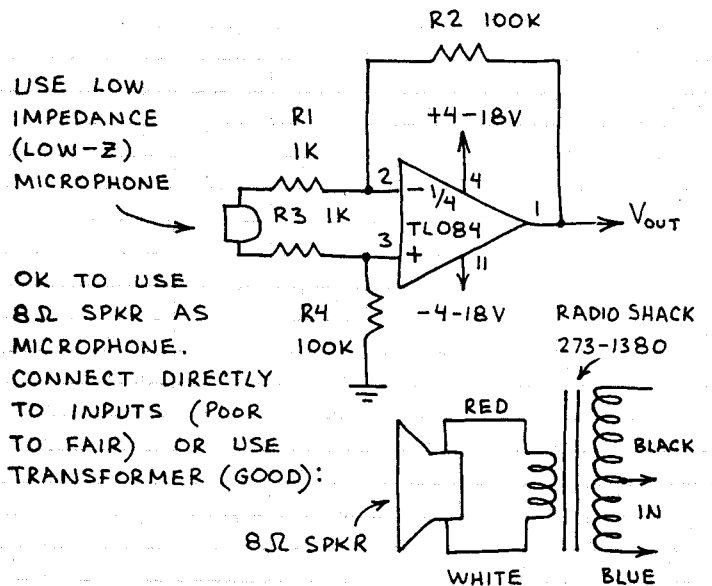
MICROPHONE PREAMPLIFIER



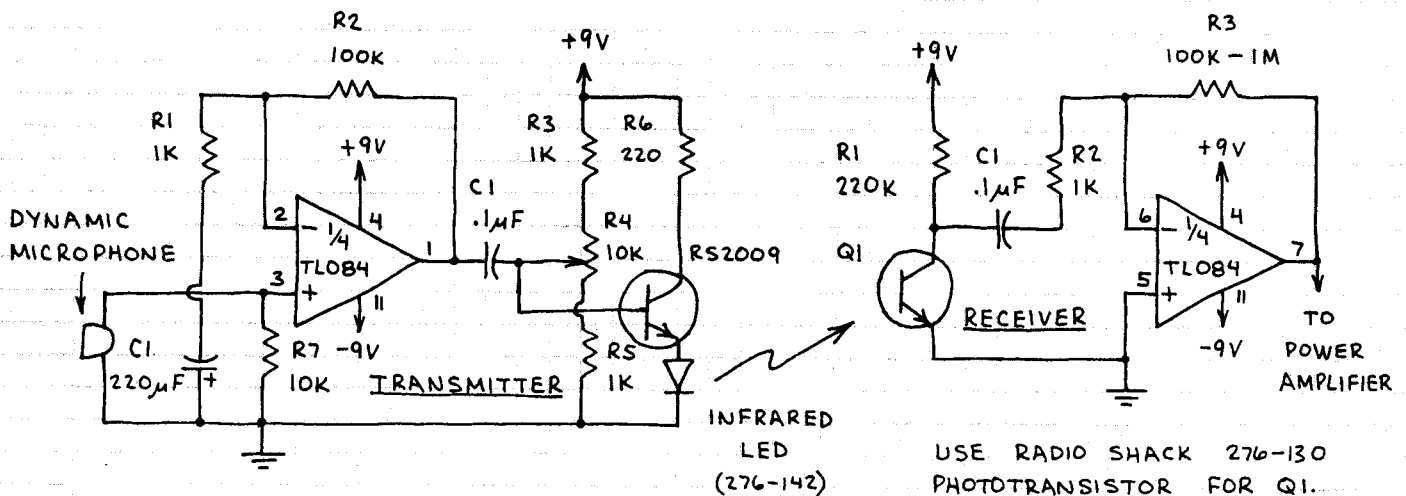
USE LOW TO MEDIUM IMPEDANCE DYNAMIC MIKE

NOTE SINGLE POLARITY POWER SUPPLY (THANKS TO R3 AND R4) AND AC COUPLING.

LOW-Z PREAMPLIFIER



INFRARED VOICE COMMUNICATOR

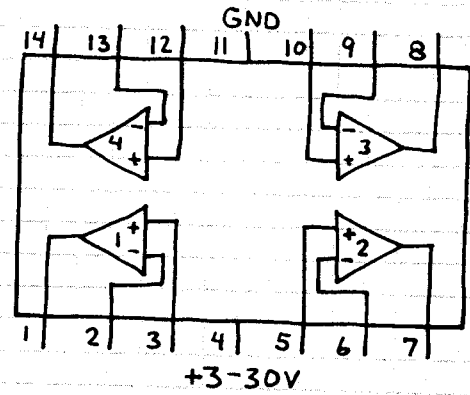


POINT THE LED AT Q1 AND ADJUST R4 UNTIL BEST VOICE QUALITY IS OBTAINED. (R4 APPLIES PREBIAS TO LED.) R6 LIMITS MAXIMUM LED CURRENT TO A SAFE 40 mA.

USE RADIO SHACK 276-130 PHOTOTRANSISTOR FOR Q1. MAXIMUM RANGE: HUNDREDS OF FEET AT NIGHT WITH LENSES AT Q1 AND LED. POWER AMP: SEE LM386.

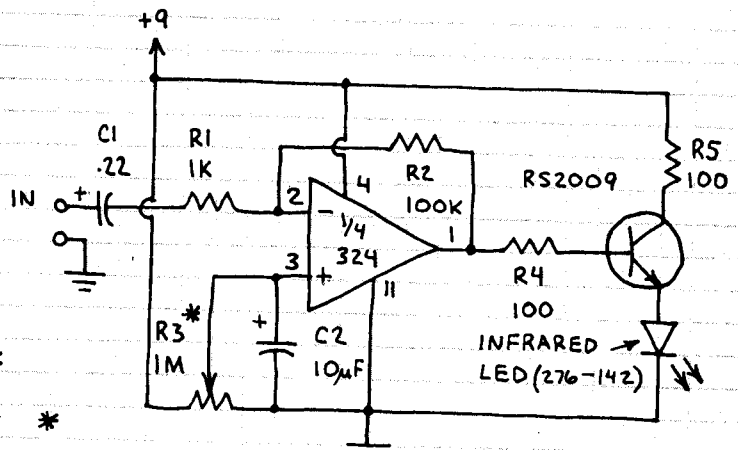
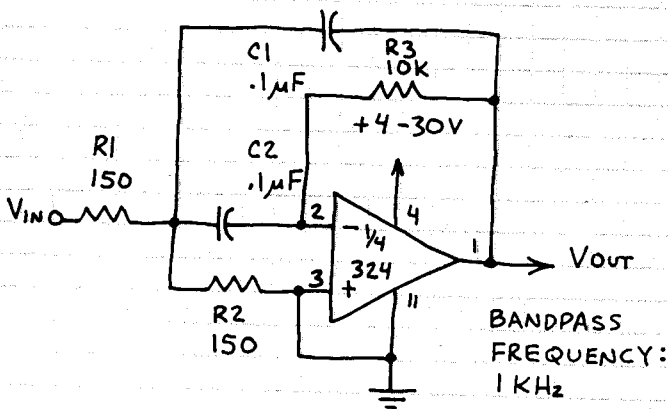
QUAD OPERATIONAL AMPLIFIER LM324N

OPERATES FROM SINGLE POLARITY POWER SUPPLY. MORE GAIN (100 dB) BUT LESS BANDWIDTH (1 MHz WHEN GAIN IS 1) THAN THE LM3900 QUAD OP-AMP. NOTE UNUSUAL LOCATION OF POWER SUPPLY PINS. CAUTION: SHORTING THE OUTPUTS DIRECTLY TO V+ OR GND OR REVERSING THE POWER SUPPLY MAY DAMAGE THIS CHIP.



BANDPASS FILTER

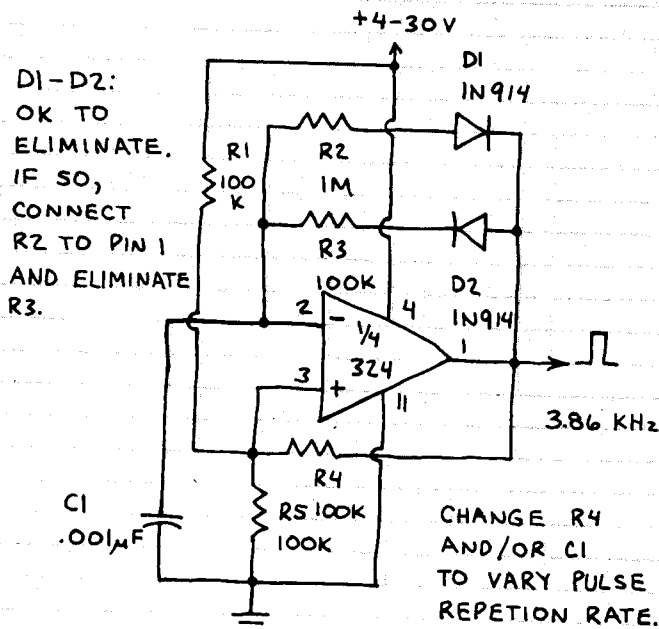
INFRARED TRANSMITTER



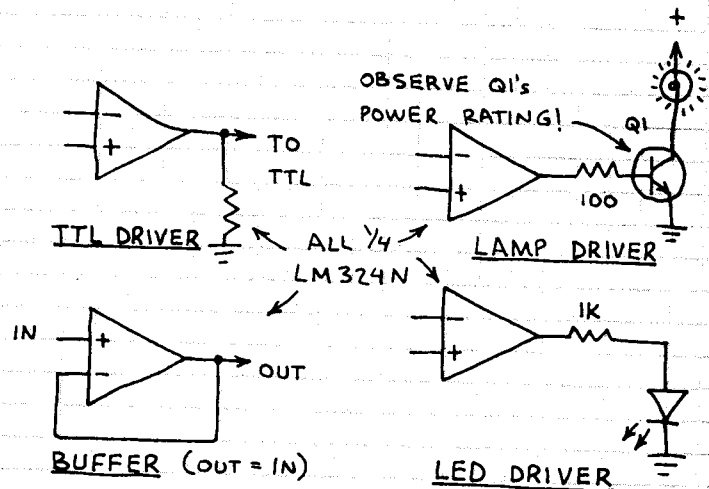
* CAREFULLY ADJUST R3 FOR BEST VOICE QUALITY. FOR MORE POWER REDUCE R5 TO 50Ω... BUT DO NOT ALLOW MORE THAN PLUS OP-AMP. 30 mA THROUGH LED!

USE DYNAMIC MICROPHONE AT INPUT. RECEIVE SIGNAL WITH PHOTOTRANSISTOR

PULSE GENERATOR



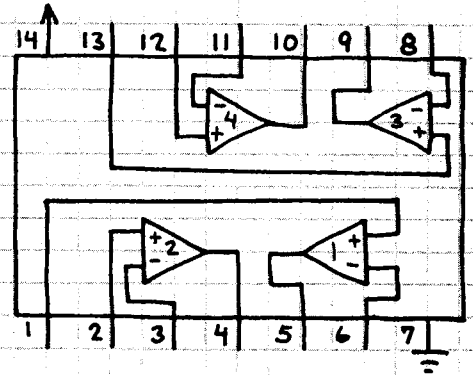
INTERFACE CIRCUITS



QUAD OPERATIONAL AMPLIFIER LM3900N

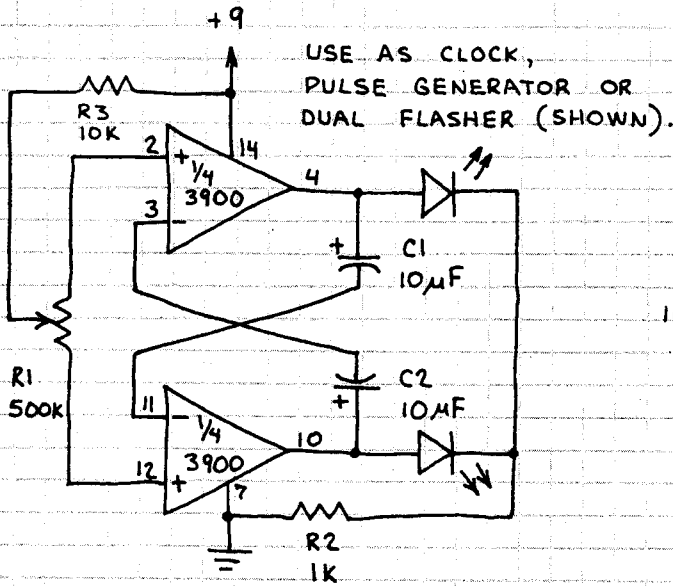
OPERATES FROM SINGLE POLARITY POWER SUPPLY. LESS GAIN (70 dB) BUT WIDER BANDWIDTH (25 MHz AT GAIN OF 1) THAN THE LM324 QUAD OP-AMP. NOTE STANDARD POWER SUPPLY PIN LOCATIONS. CAUTION: SHORTING THE OUTPUTS DIRECTLY TO V+ OR GROUND OR REVERSED POWER CONNECTIONS MAY DAMAGE THIS CHIP.

+4-36V

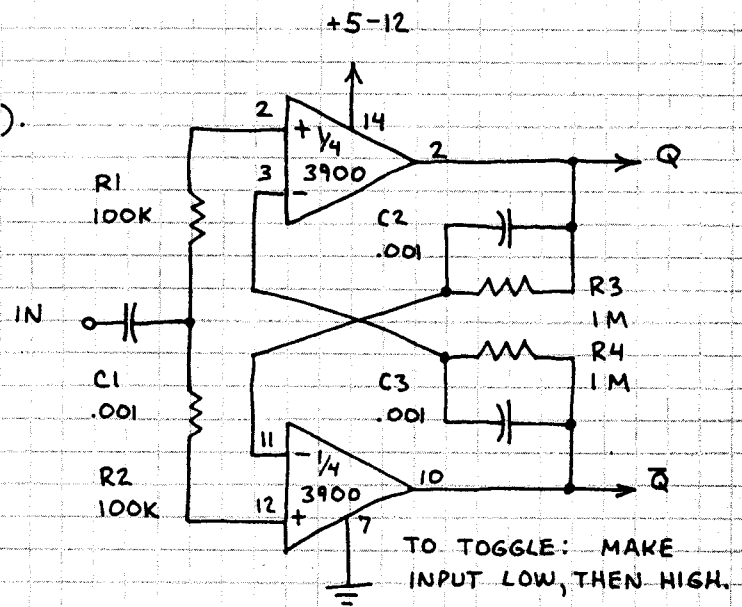


NOTE: DO NOT SUBSTITUTE LM3900 FOR OTHER OP-AMPS.

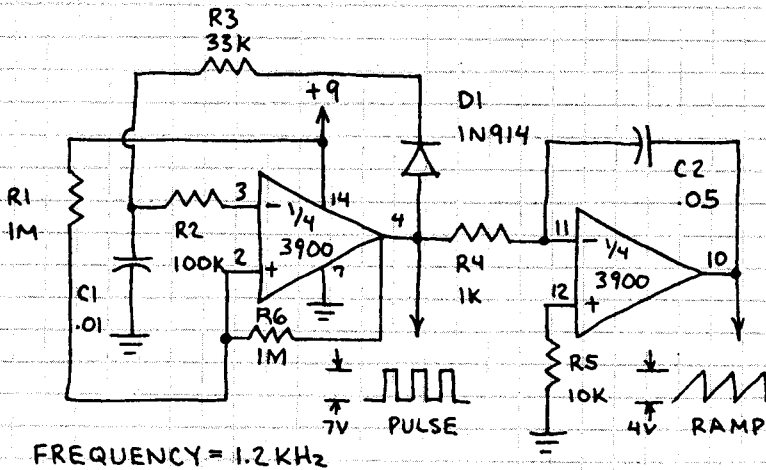
ASTABLE MULTIVIBRATOR



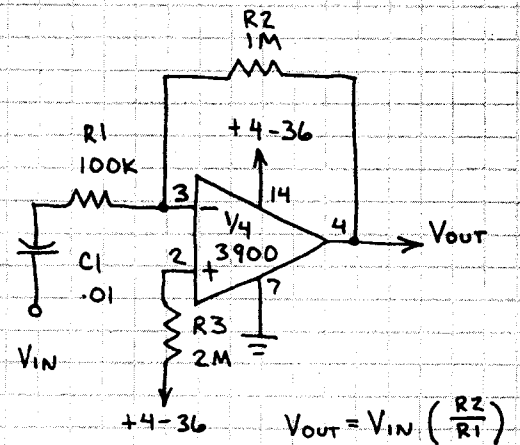
TOGGLE FLIP-FLOP



FUNCTION GENERATOR

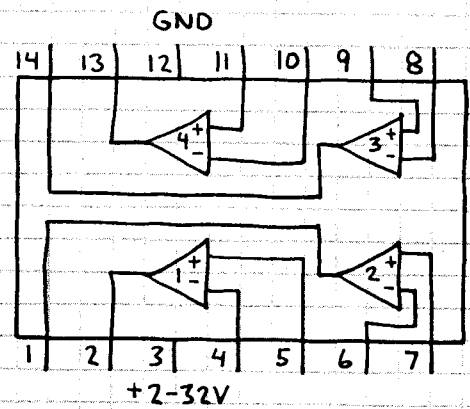


X10 AMPLIFIER

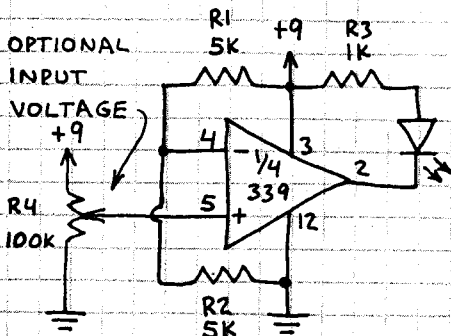


QUAD COMPARATOR LM339 (276-1712)

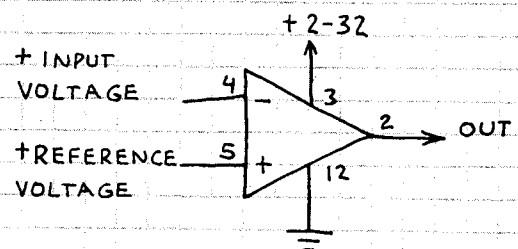
FOUR INDEPENDENT VOLTAGE COMPARATORS IN A SINGLE PACKAGE. NOTE THAT A SINGLE POLARITY POWER SUPPLY IS REQUIRED. (MOST COMPARATORS ARE DESIGNED PRIMARILY FOR DUAL SUPPLY OPERATION.) NOTE UNUSUAL LOCATION OF THE SUPPLY PINS. COMPARATORS MAY OSCILLATE IF OUTPUT LEAD IS TOO CLOSE TO INPUT LEADS. GROUND ALL PINS OF UNUSED COMPARATORS.



NON-INVERTING COMPARATOR INVERTING COMPARATOR



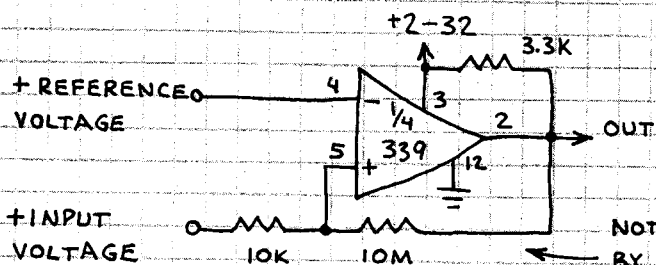
R1-R2
DETERMINE
REFERENCE
VOLTAGE
(4.5 V AS SHOWN).



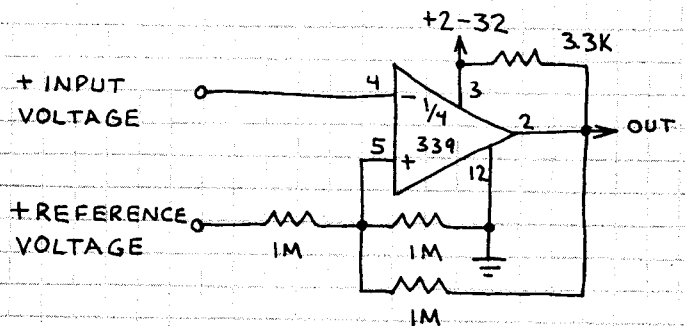
LED GLOWS WHEN INPUT VOLTAGE (PIN 5)
FALLS BELOW REFERENCE VOLTAGE (PIN 4).

INVERTING COMPARATOR WITH HYSTERESIS

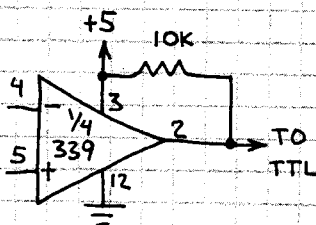
NON-INVERTING COMPARATOR WITH HYSTERESIS



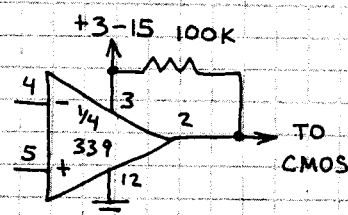
NOTE: HYSTERESIS PROVIDED
BY FEEDBACK RESISTOR STOPS
OSCILLATION.



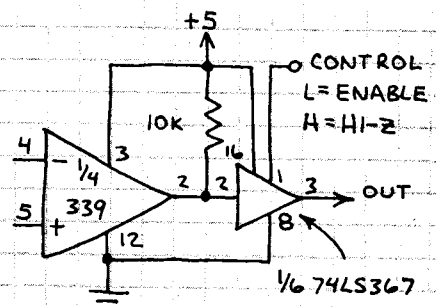
TTL DRIVER



CMOS DRIVER



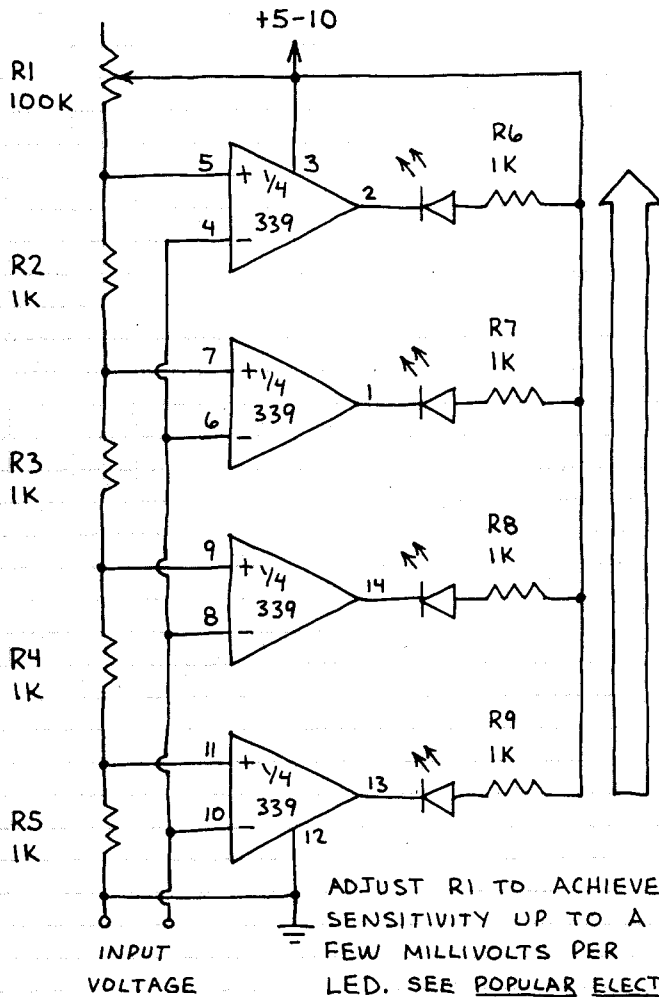
3-STATE OUTPUT



QUAD COMPARATOR (CONTINUED)

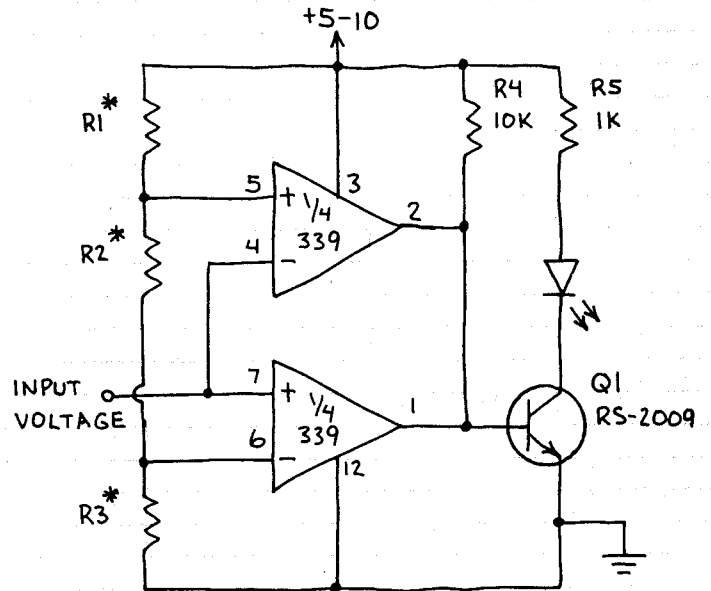
LM339

LED BARGRAPH READOUT



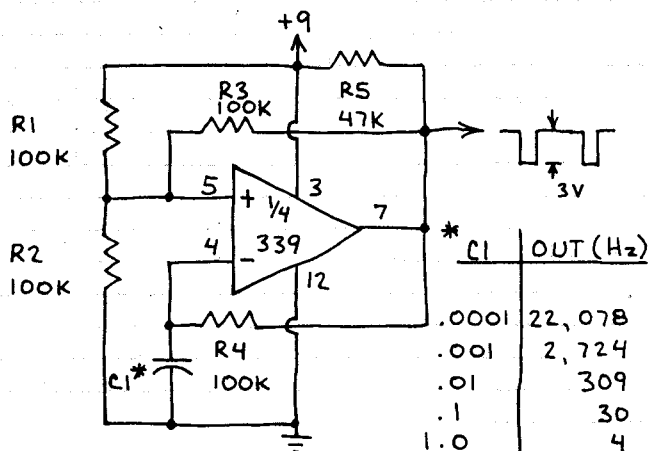
ADJUST R1 TO ACHIEVE SENSITIVITY UP TO A FEW MILLIVOLTS PER LED. SEE POPULAR ELECTRONICS (SEPT. 1978, PP. 92-97).

WINDOW COMPARATOR

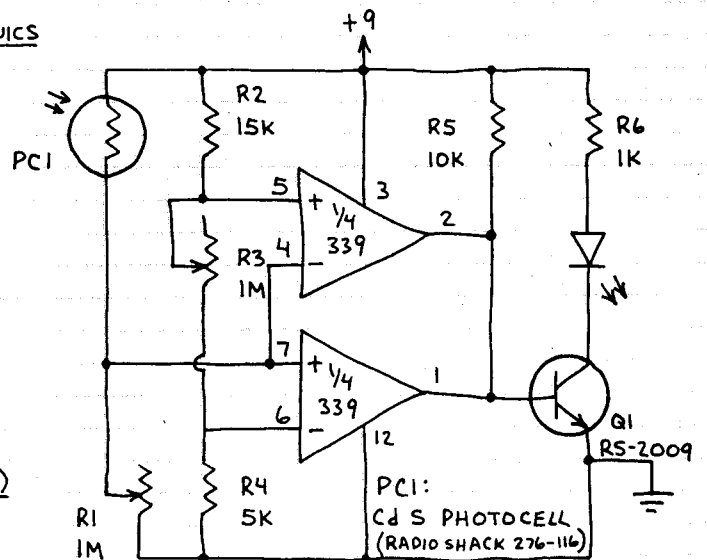


THE LED GLOWS WHEN THE INPUT VOLTAGE IS WITHIN THE WINDOW DETERMINED BY R1-R3. THE WINDOW IS 4-8 MILLIVOLTS WIDE * WHEN R1=500Ω, R2=1200Ω AND R3=1M. IT EXTENDS FROM 1.5-4.2 VOLTS WHEN R1 AND R3=15,000Ω AND R2=25,000Ω. USE POTS FOR R1-R3 FOR A FULLY ADJUSTABLE WINDOW.

SQUAREWAVE OSCILLATOR



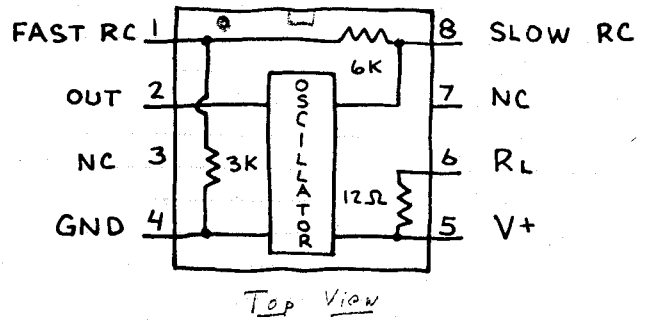
PROGRAMMABLE LIGHT METER



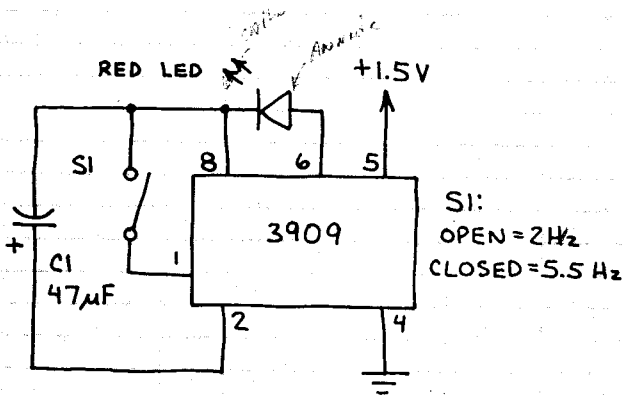
ADJUST R1 AND R3 SO LED GLOWS WHEN LIGHT AT PCI IS ABOVE OR BELOW ANY DESIRED LEVEL.

LED FLASHER / OSCILLATOR 3909

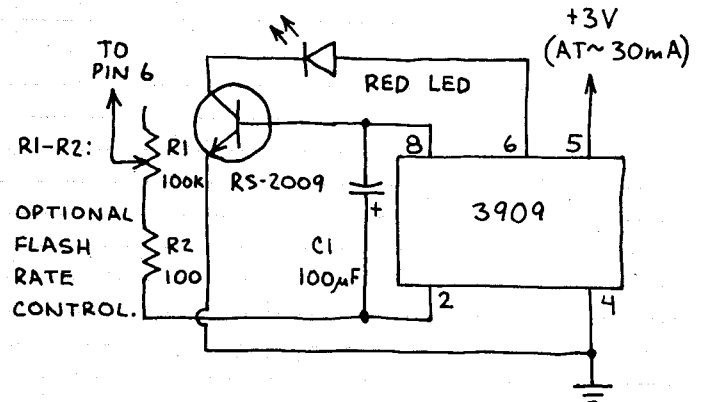
EASIEST TO USE IC IN THIS NOTEBOOK. FLASHES LEDs OR CAN BE USED AS TONE SOURCE. WILL DRIVE SPEAKER DIRECTLY. WILL FLASH A RED LED WHEN V+ IS ONLY 1.3 VOLTS.



LED FLASHER

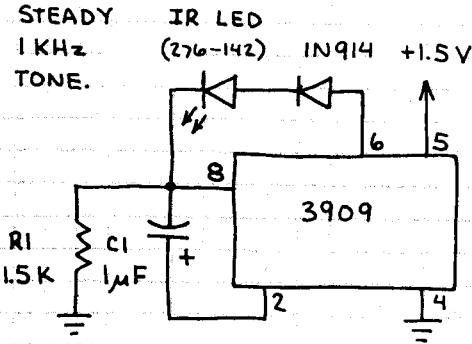


POWER FLASHER

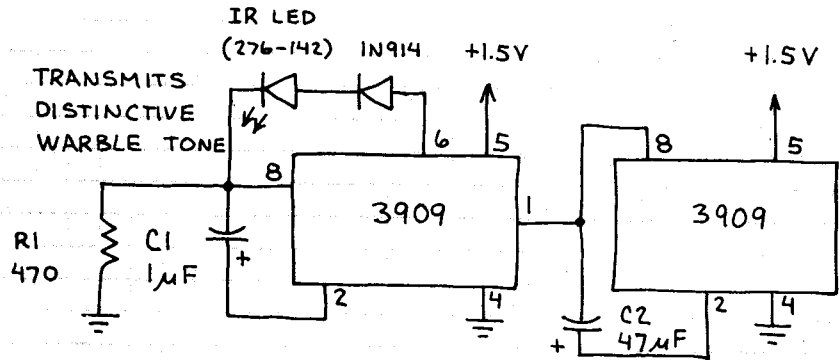


INFRARED TRANSMITTERS

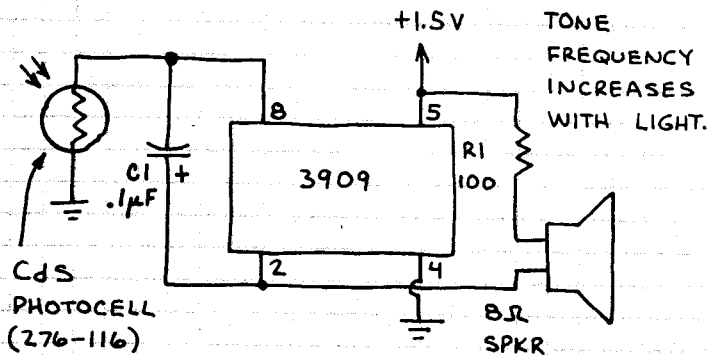
TRANSMITS STEADY 1 KHz TONE.



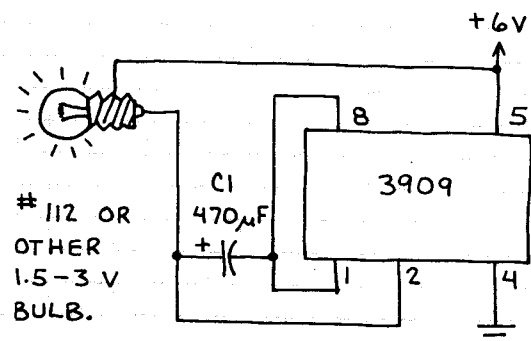
TRANSMITS DISTINCTIVE WARBLE TONE.



LIGHT CONTROLLED TONE



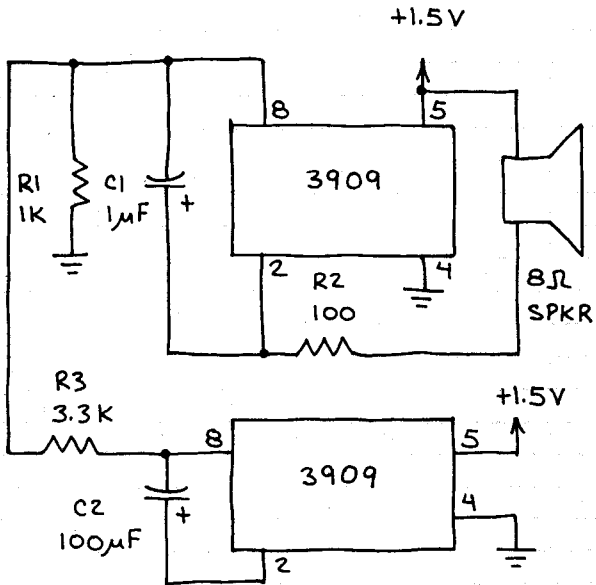
LAMP FLASHER



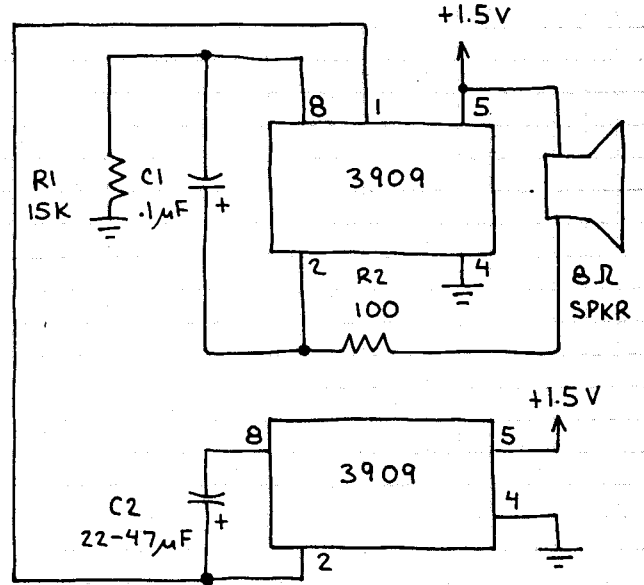
LED FLASHER / OSCILLATOR (CONTINUED)

3909

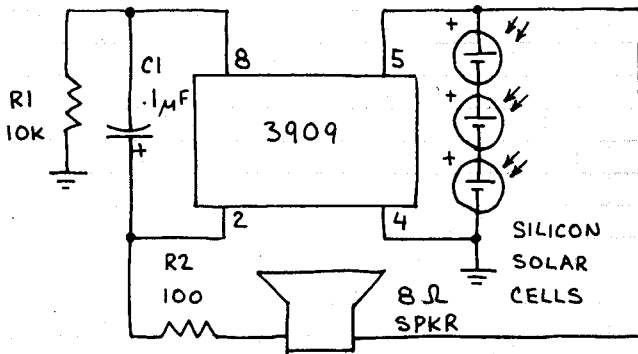
WHOOOPER



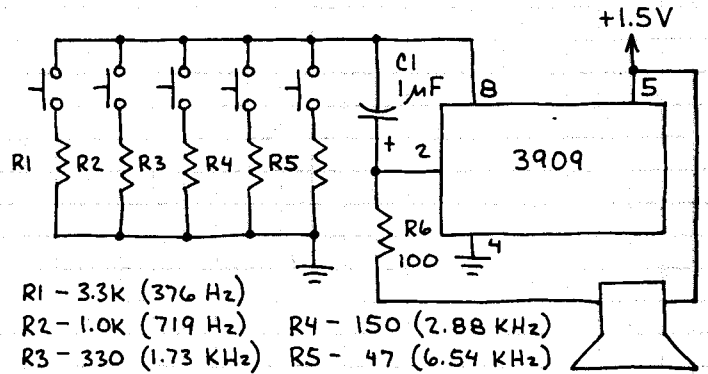
CHIRPER



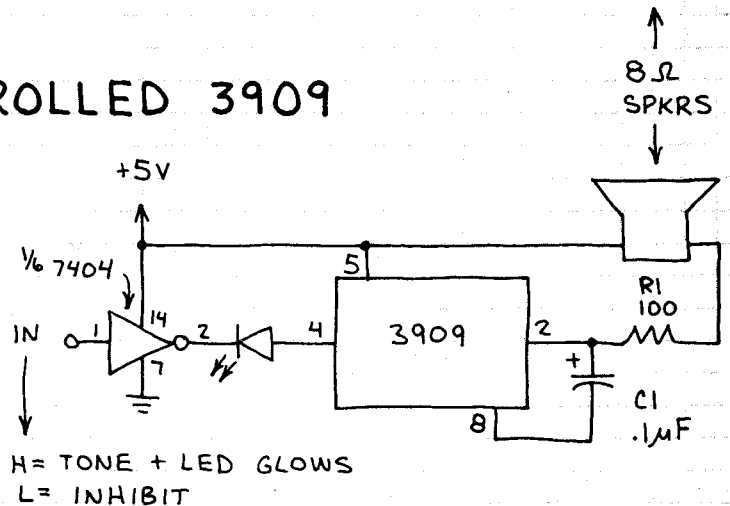
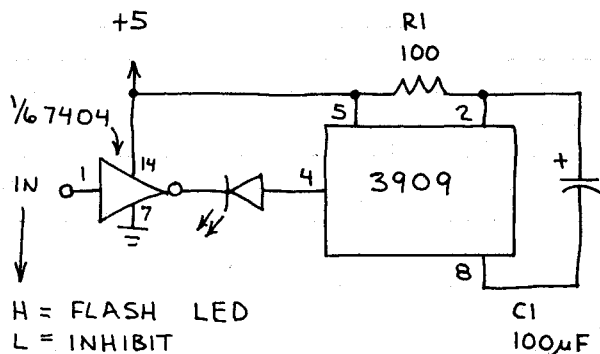
SUN POWERED OSCILLATOR



TOY ORGAN

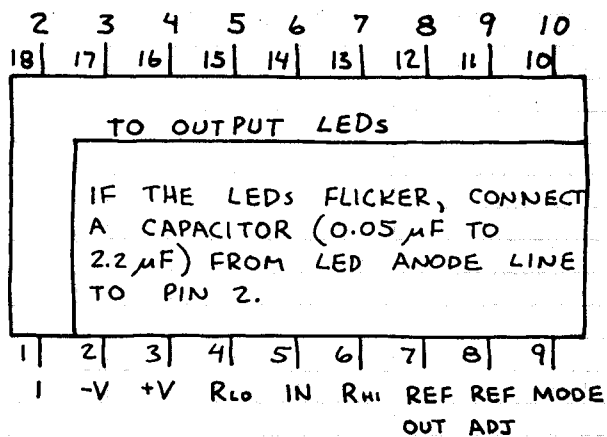


TTL CONTROLLED 3909

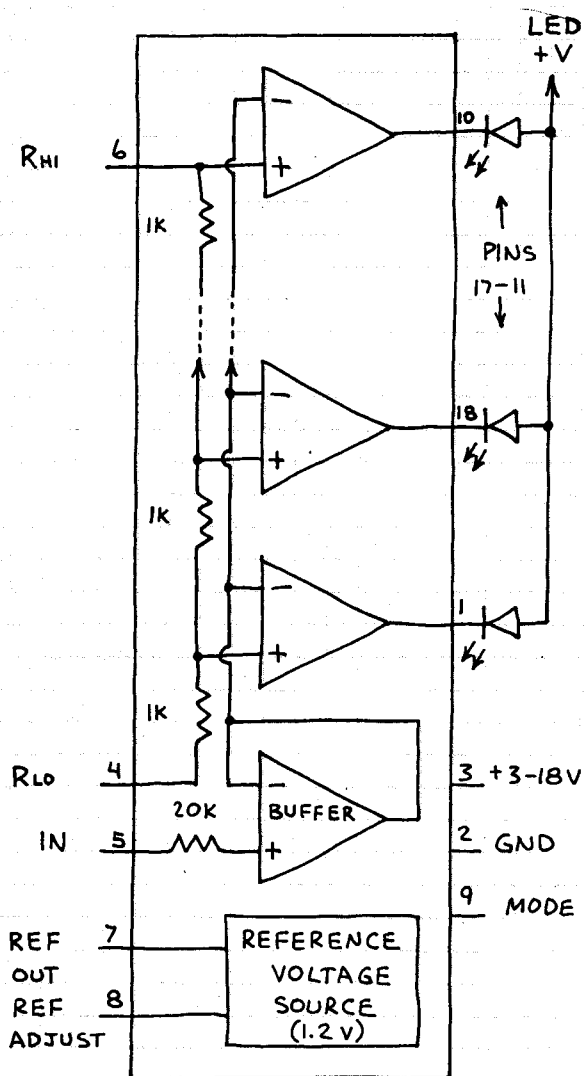


DOT/BAR DISPLAY DRIVER LM3914N

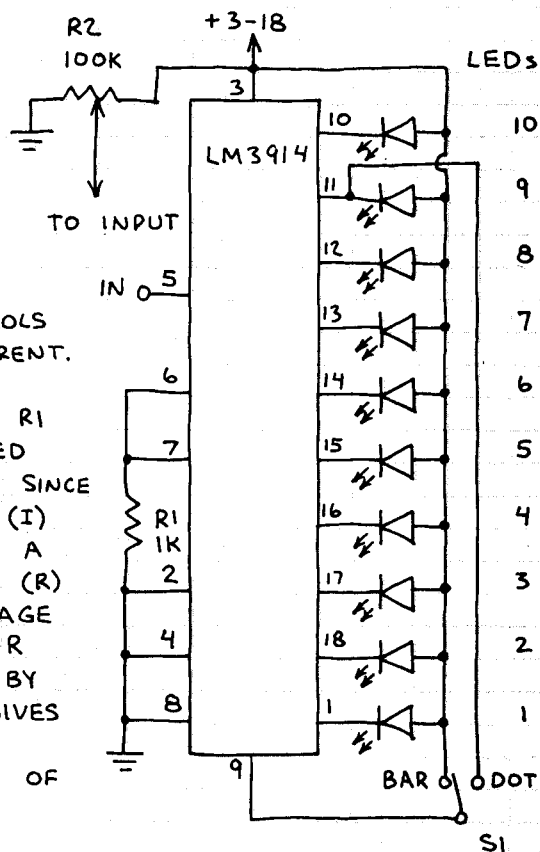
ONE OF THE MOST IMPORTANT CHIPS IN THIS NOTEBOOK. LIGHTS UP TO 10 LEDs (BAR MODE) OR 1-OF-10 LEDs (DOT MODE) IN RESPONSE TO AN INPUT VOLTAGE. CHIP CONTAINS A VOLTAGE DIVIDER AND 10 COMPARATORS THAT TURN ON IN SEQUENCE AS THE INPUT VOLTAGE RISES. HERE'S A SIMPLIFIED VERSION OF THE CIRCUIT:



DOT/BAR DISPLAY



R_{H1} AND R_{L0} ARE THE ENDS OF THE DIVIDER CHAIN. THE REFERENCE VOLTAGE OUTPUT (REF OUT) IS 1.2-1.3 VOLTS. CONNECT PIN 9 TO PIN 11 FOR DOT MODE OR +V FOR BAR MODE.



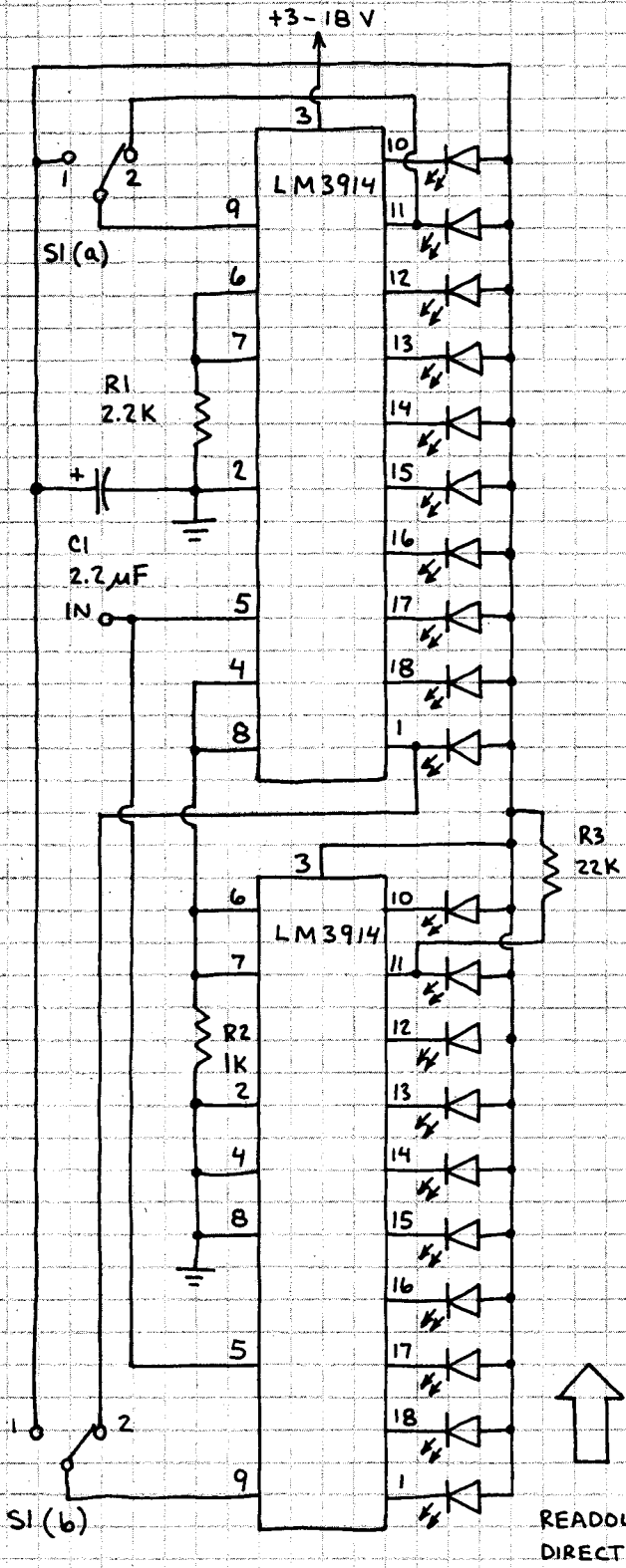
R₁ CONTROLS LED CURRENT. CURRENT THROUGH R₁ IS $\frac{1}{10}$ LED CURRENT. SINCE CURRENT (I) THROUGH A RESISTOR (R) IS VOLTAGE ACROSS R DIVIDED BY R, 1K GIVES AN LED CURRENT OF 10 mA.

WHEN +V = +3-18 VOLTS, THE READOUT RANGE IS 0.13-1.30 VOLTS. TO CHANGE RANGE TO 0.1-1.0 VOLT (0.1 VOLT PER LED), INSERT A 5K POTENTIOMETER BETWEEN PINS 6 AND 7. CONNECT VOLTMETER ACROSS PINS 5 AND 8 AND ADJUST R₂ FOR 1 VOLT AT PIN 5. THEN ADJUST 1K POT UNTIL LED 10 GLOWS. REPEAT THIS PROCEDURE FOR 0.1 VOLT AT PIN 5 AND LED 1. OK TO REPLACE THE 1K POT WITH A FIXED RESISTOR OF THE PROPER VALUE.

DOT/BAR DISPLAY DRIVER (CONTINUED)

LM3914N

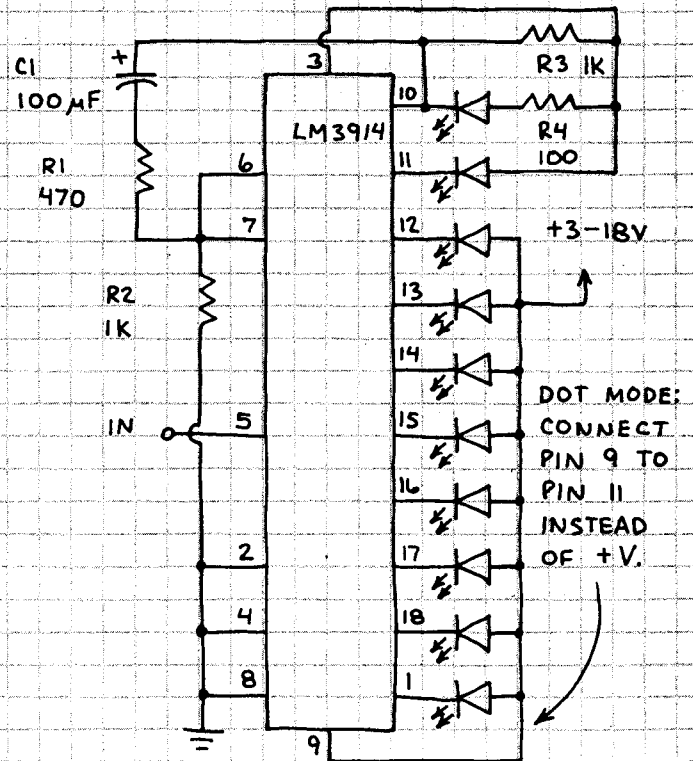
20-ELEMENT READOUT



THIS CIRCUIT SHOWS HOW TO CASCADE 2 OR MORE LM3914's. WHEN $+V = 5$ VOLTS, THE READOUT RANGE IS 0.14 V TO 2.7 V. HIGHEST ORDER LED STAYS ON DURING OVERRANGE. AVOID SUBSTITUTIONS FOR R1, R2 AND R3.

SI IS THE MODE SWITCH. USE A DPDT TOGGLE. POSITION 1 SELECTS BAR AND POSITION 2 SELECTS DOT. OMIT SI IF ONLY ONE MODE IS REQUIRED. SIMPLY WIRE IN THE CORRECT CONNECTIONS.

FLASHING BAR READOUT



DOT MODE: CONNECT PIN 9 TO PIN 11 INSTEAD OF $+V$.

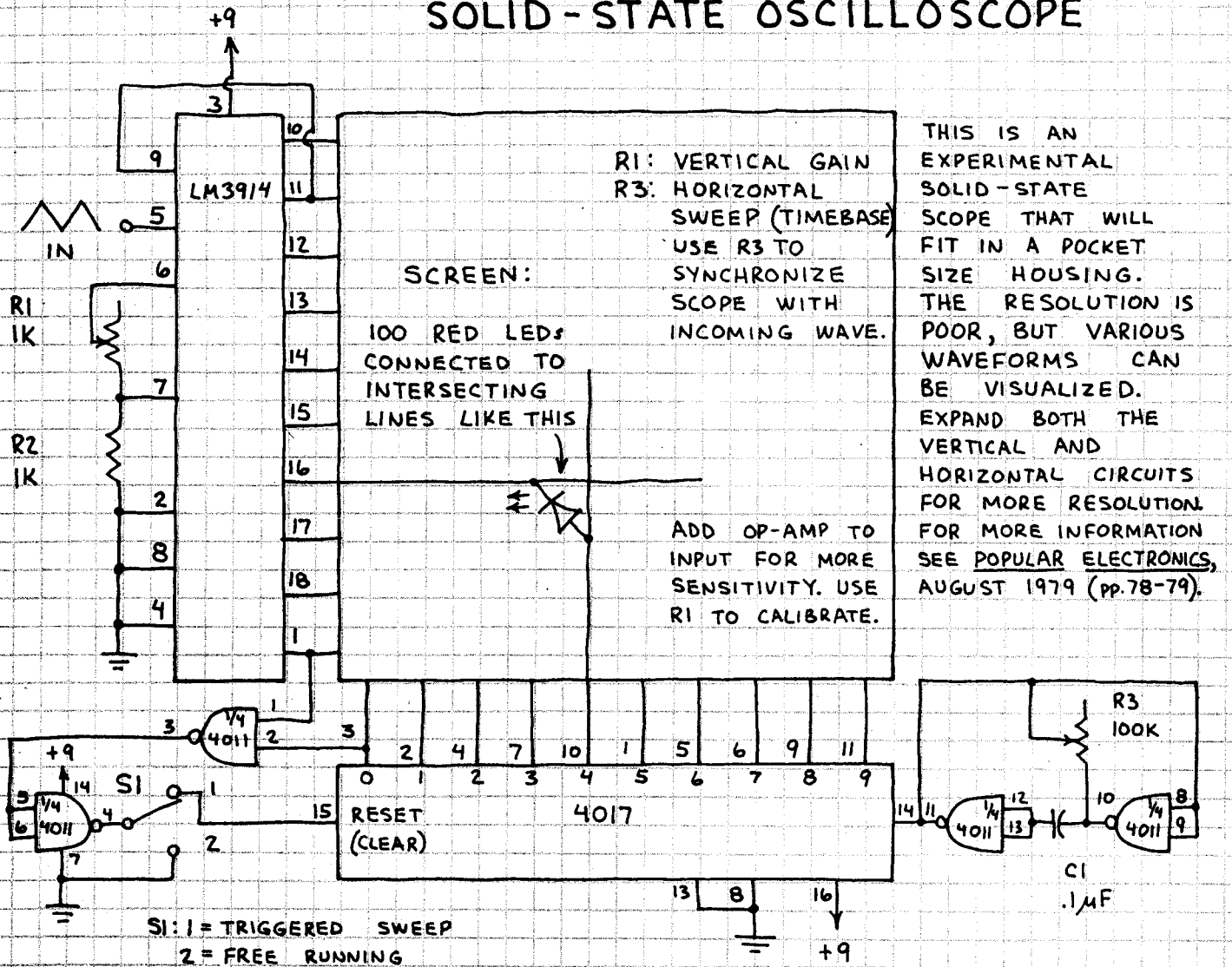
THE CIRCUITS ON THIS PAGE ARE ADAPTED FROM NATIONAL SEMICONDUCTOR'S LM3914 LITERATURE. BOTH WORK WELL.

WHEN ALL 10 LEDs ARE ON THE DISPLAY FLASHES. OTHERWISE THE LEDs DO NOT FLASH. INCREASE C1 TO SLOW FLASH RATE.

DOT/BAR DISPLAY DRIVER (CONTINUED)

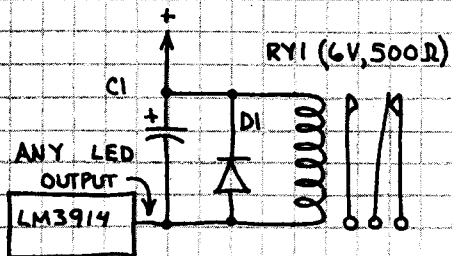
LM3914N

SOLID-STATE OSCILLOSCOPE



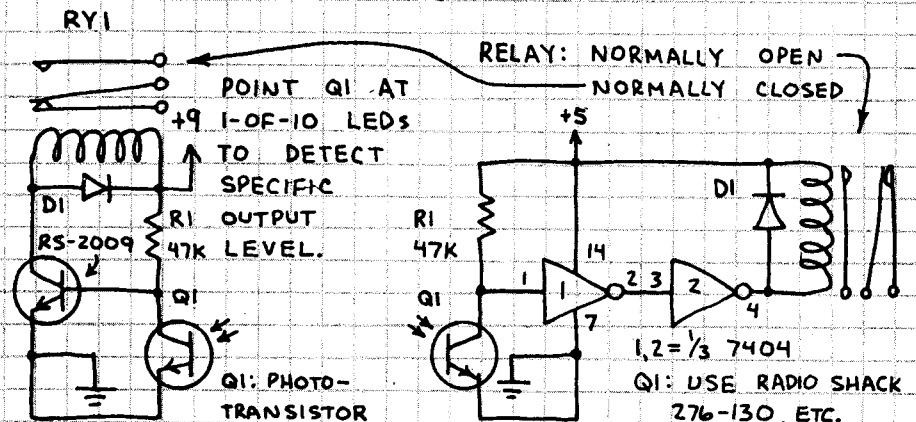
USING THE LM3914 AS A CONTROLLER:

RELAY



- C1 - 47µF (PREVENTS CHATTER)
- DI - 1N914
- RY1 - RADIO SHACK 275-004

OPTICAL COUPLING

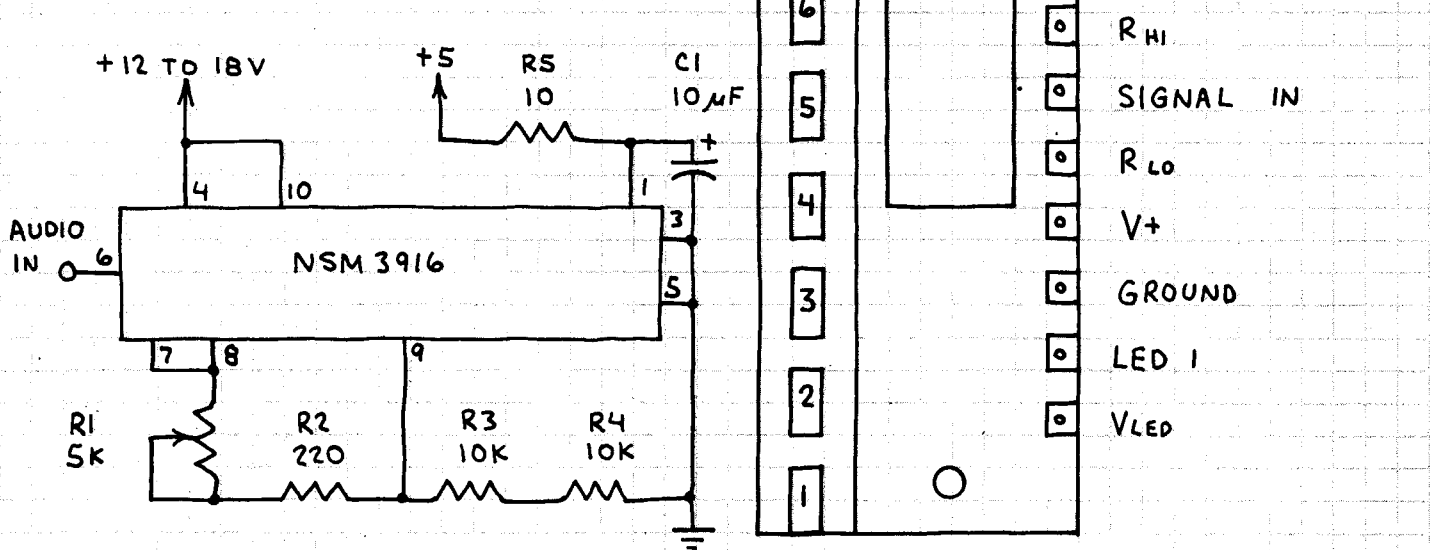


LED VU METER MODULE

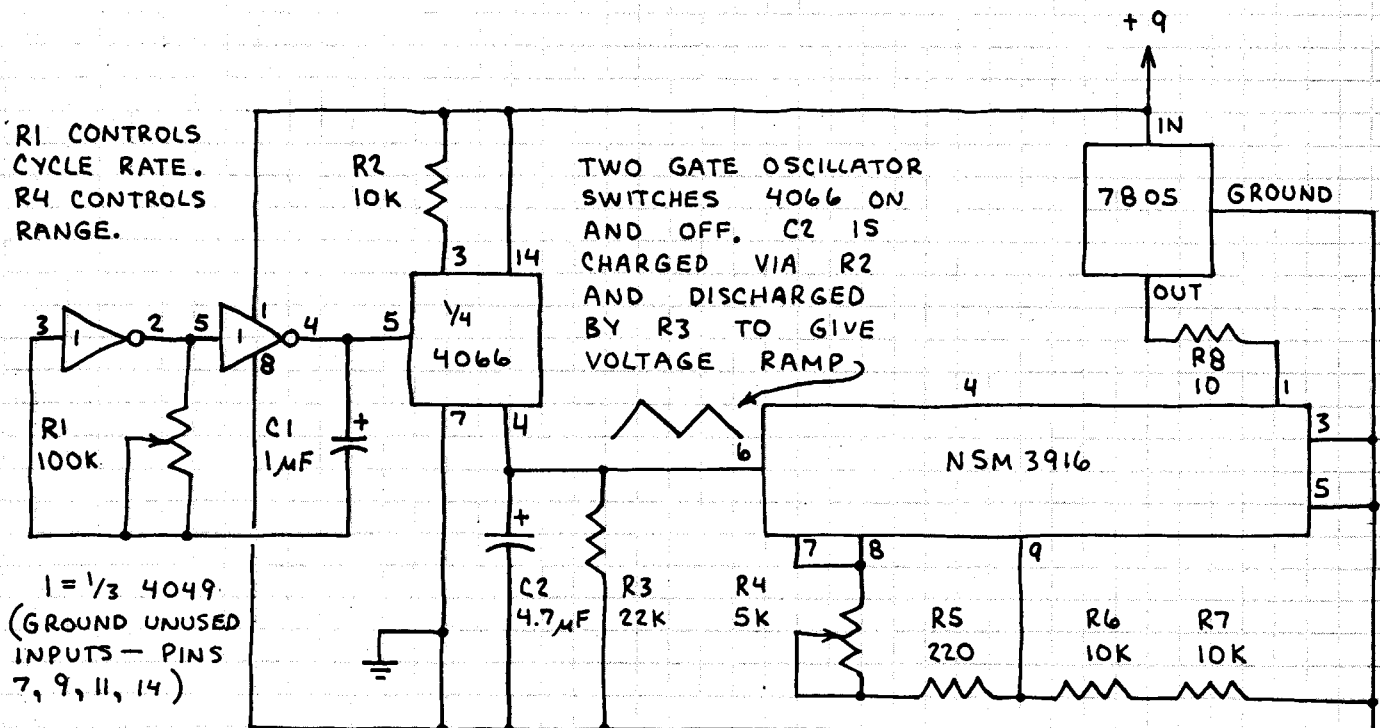
NSM3916

INCLUDES LED BARGRAPH DRIVER AND LEDs ON SAME SUBSTRATE. MAKE MODE PIN HIGH FOR BAR-GRAPH MODE. LEAVE OPEN FOR DOT MODE. SEE DATA SUPPLIED WITH MODULE FOR MORE INFORMATION. ALSO, SEE LM3914 AND LM3915.

VU BAR GRAPH DISPLAY

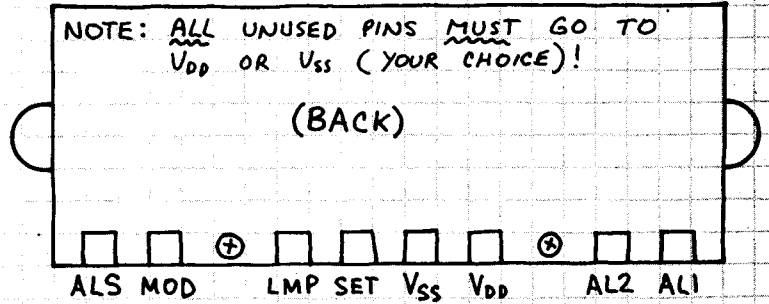


BACK AND FORTH FLASHER

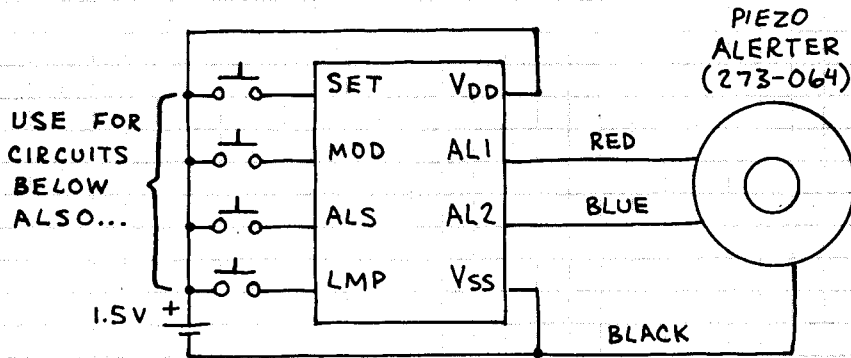


LCD CLOCK MODULE PCIM-161

COMPLETE CLOCK MODULE.
REQUIRES ONLY 1.5 VOLT
CELL AND SWITCHES.
FOR COMPLETE INFORMATION
SEE DATA SUPPLIED WITH
MODULE. V_{DD} MUST NOT
EXCEED 1.6 VOLTS!



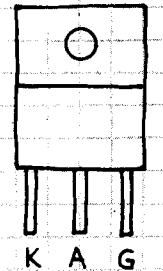
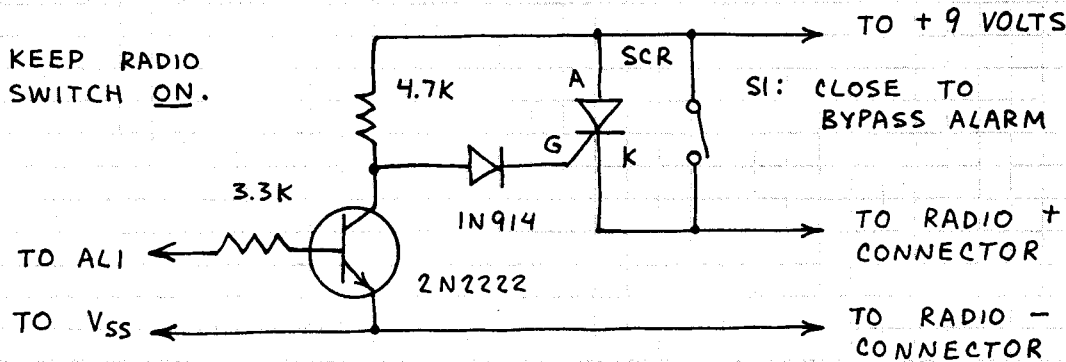
ALARM CLOCK



TO SET ALARM:

1. PRESS ALS TWICE; PRESS SET UNTIL HOUR APPEARS.
2. PRESS ALS; PRESS SET UNTIL MINUTES APPEAR.
3. PRESS ALS.

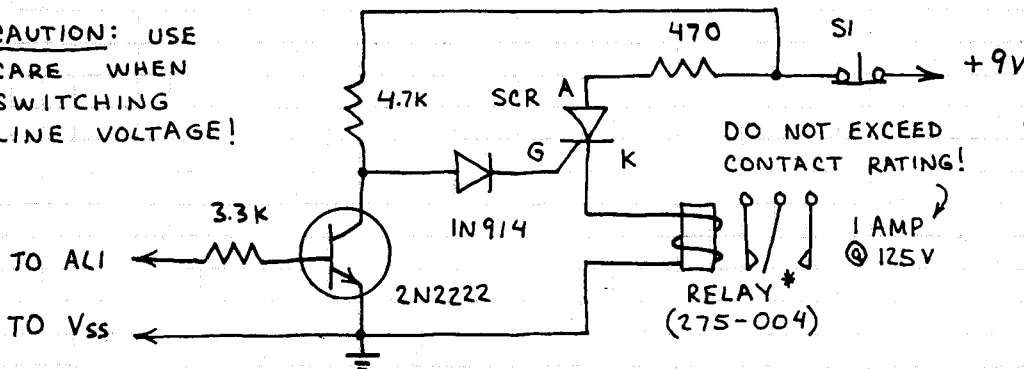
ALARM CLOCK RADIO



SCR
(276-1067)

CLOCK CONTROLLED RELAY

* CAUTION: USE CARE WHEN SWITCHING LINE VOLTAGE!



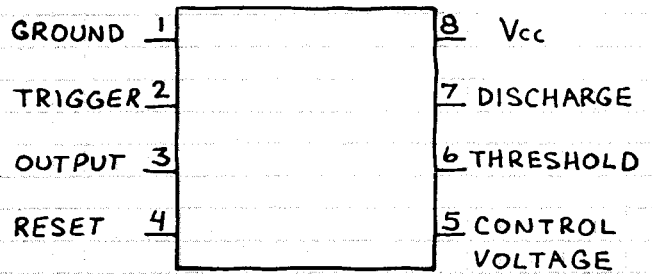
CURRENT DRAIN:
RELAY ON = 14.8 mA
RELAY OFF = 1.8 mA

SI: NORMALLY CLOSED PUSHBUTTON. OPEN (PRESS) TO RESET. MUST WAIT FOR 15 SECOND ALARM CYCLE BEFORE RESETTING.

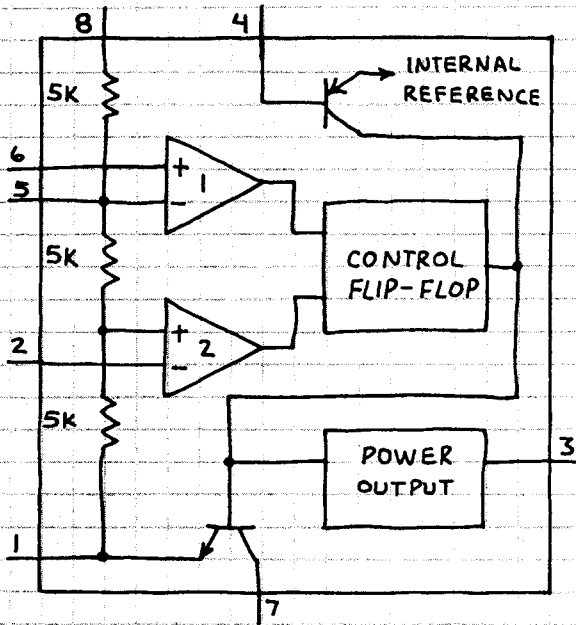
TIMER

555

THE FIRST AND STILL THE MOST POPULAR IC TIMER CHIP. OPERATES AS A ONE-SHOT TIMER OR AN ASTABLE MULTIVIBRATOR. THE 556 IS TWO 555 CIRCUITS ON ONE CHIP.

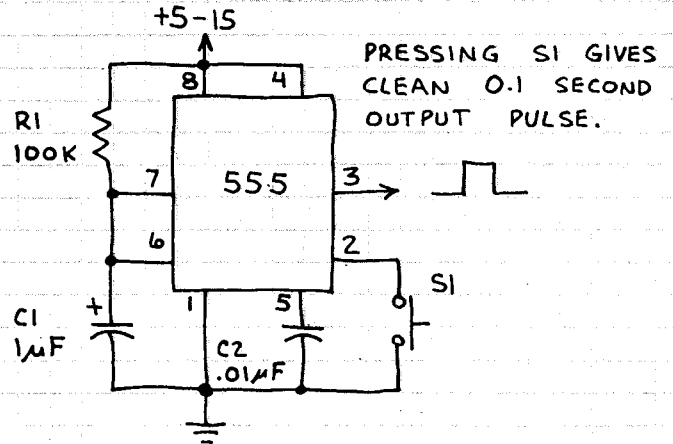


555 EQUIVALENT CIRCUIT

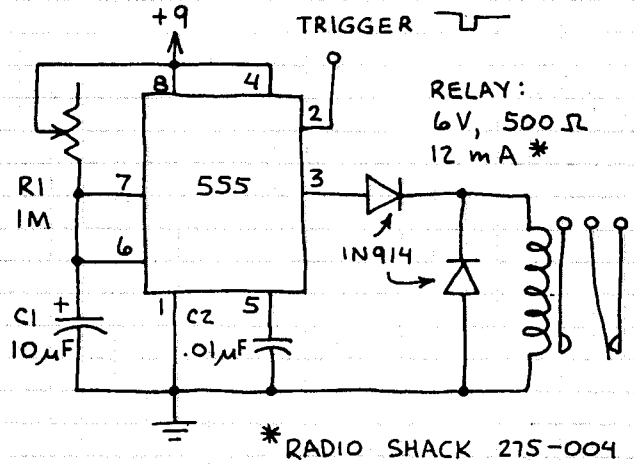


1 AND 2 ARE COMPARATORS. CIRCUIT CAN BE MADE FROM INDIVIDUAL PARTS AS SHOWN... BUT 555 IS MUCH SIMPLER.

BOUNCELESS SWITCH

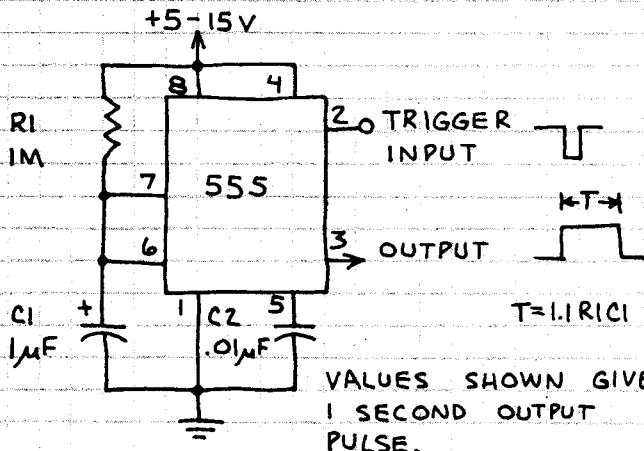


TIMER PLUS RELAY



VALUES OF R1 AND C1 SHOWN WILL PULL RELAY IN FOR UP TO ABOUT 11 SECONDS. USE POINTER KNOB AND PAPER SCALE TO HELP CALIBRATE CIRCUIT. USES INCLUDE DARKROOM TIMING. CIRCUIT CAN BE TRIGGERED BY A NEGATIVE PULSE OR WITH A PUSHBUTTON SWITCH ACROSS PINS 1 AND 2.

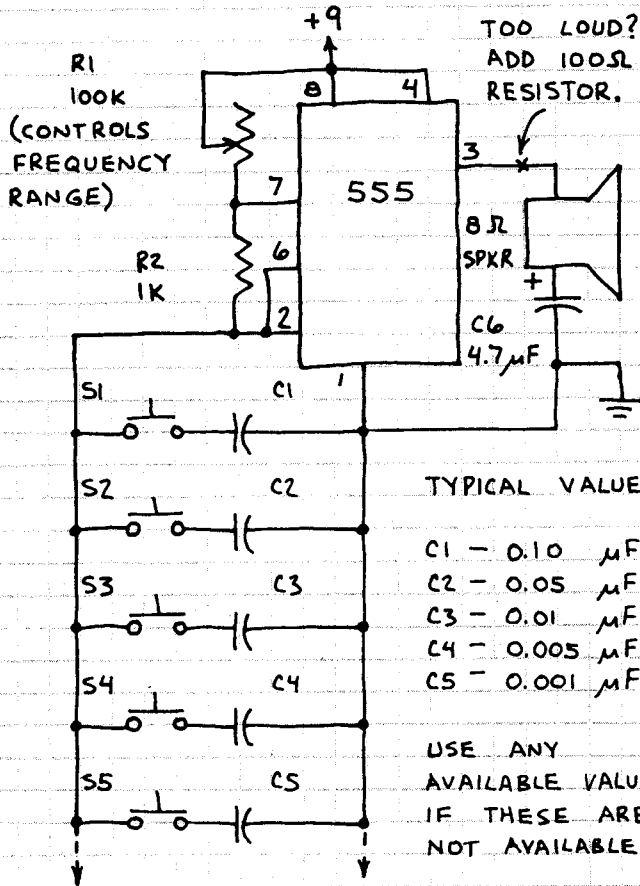
ONE-SHOT TIMER



TIMER (CONTINUED)

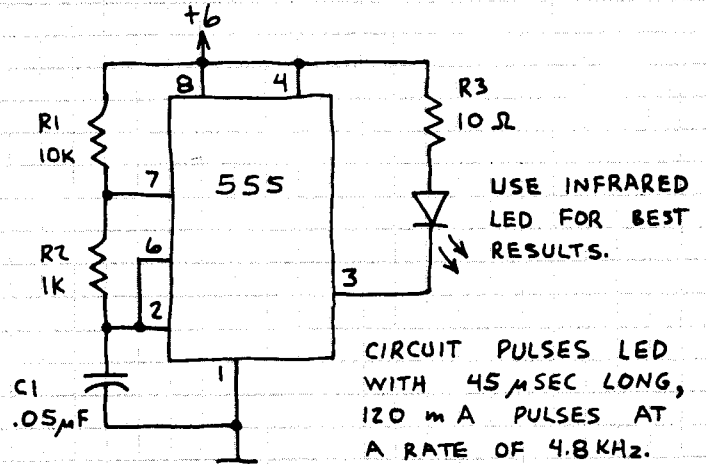
555

TOY ORGAN

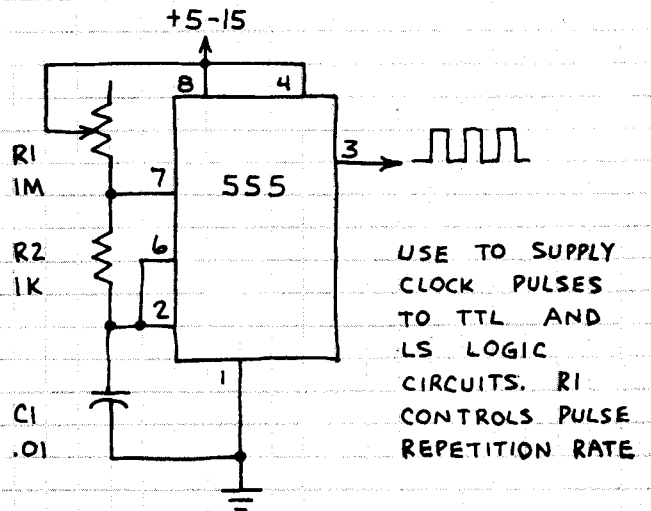


ADD ADDITIONAL
STAGES IF DESIRED.
SWITCHES ARE NORMALLY
OPEN PUSHBUTTONS.

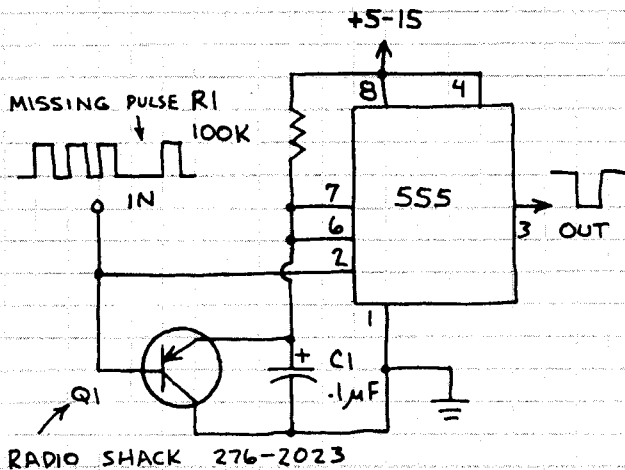
LED TRANSMITTER



PULSE GENERATOR



MISSING PULSE DETECTOR

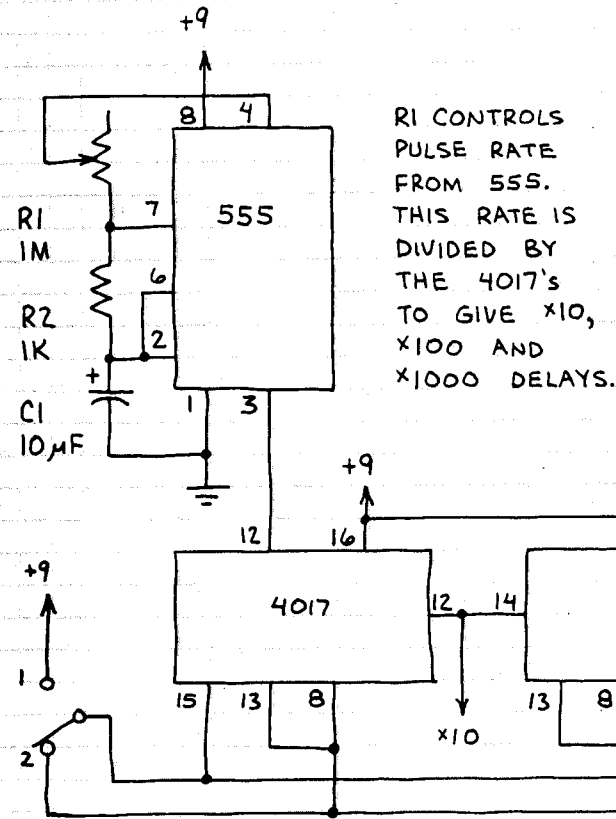


THIS CIRCUIT IS A ONE-SHOT THAT
IS CONTINUALLY RETRIGGERED BY
INCOMING PULSES. A MISSING OR
DELAYED PULSE THAT PREVENTS
RETRIGGERING BEFORE A TIMING
CYCLE IS COMPLETE CAUSES PIN 3
TO GO LOW UNTIL A NEW INPUT
PULSE ARRIVES. R1 AND C1
CONTROL RESPONSE TIME. USE IN
SECURITY ALARMS, CONTINUITY
TESTERS, ETC.

TIMER (CONTINUED)

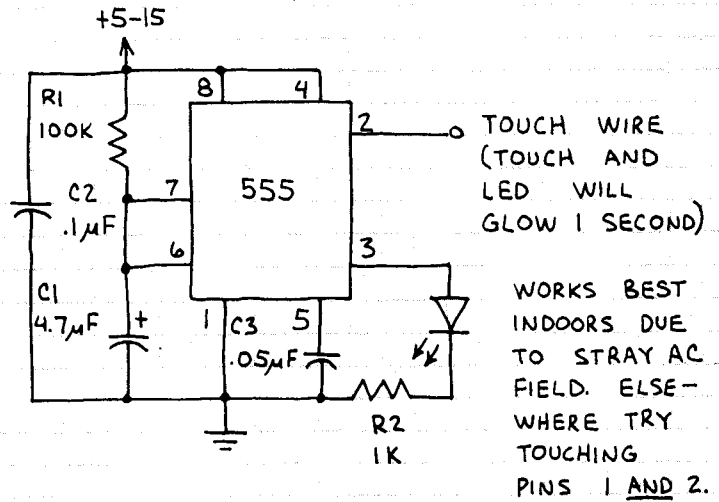
555

ULTRA-LONG TIME DELAY



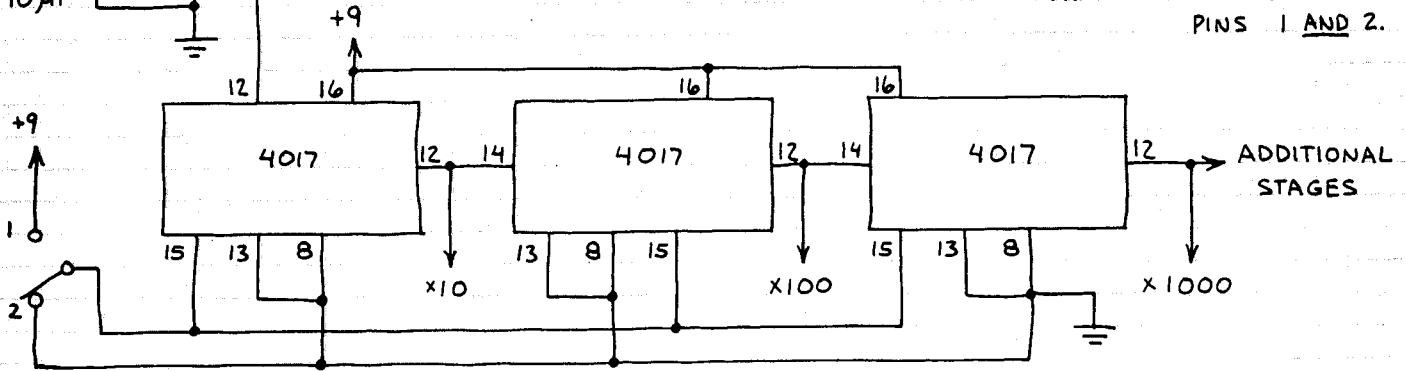
R1 CONTROLS PULSE RATE FROM 555. THIS RATE IS DIVIDED BY THE 4017'S TO GIVE X10, X100 AND X1000 DELAYS.

TOUCH SWITCH

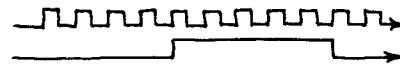


TOUCH WIRE (TOUCH AND LED WILL GLOW 1 SECOND)

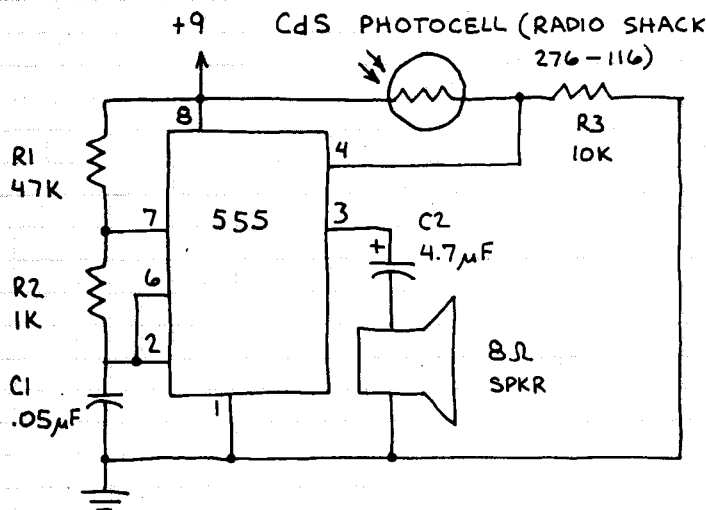
WORKS BEST INDOORS DUE TO STRAY AC FIELD. ELSEWHERE TRY TOUCHING PINS 1 AND 2.



1 = RESET TYPICAL OUTPUT: 555 (PIN 3)
2 = RUN 4017 (x10 OUTPUT)

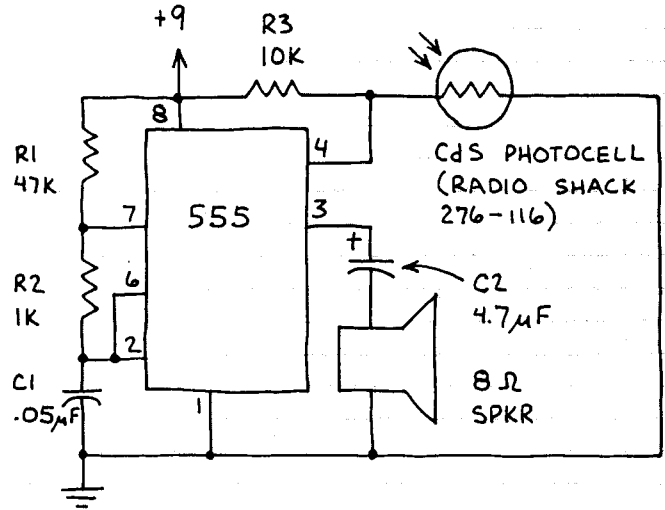


LIGHT DETECTOR



PRODUCES WARNING TONE WHEN LIGHT STRIKES PHOTOCELL. MAKES A GOOD OPEN DOOR ALARM FOR REFRIGERATOR OR FREEZER.

DARK DETECTOR

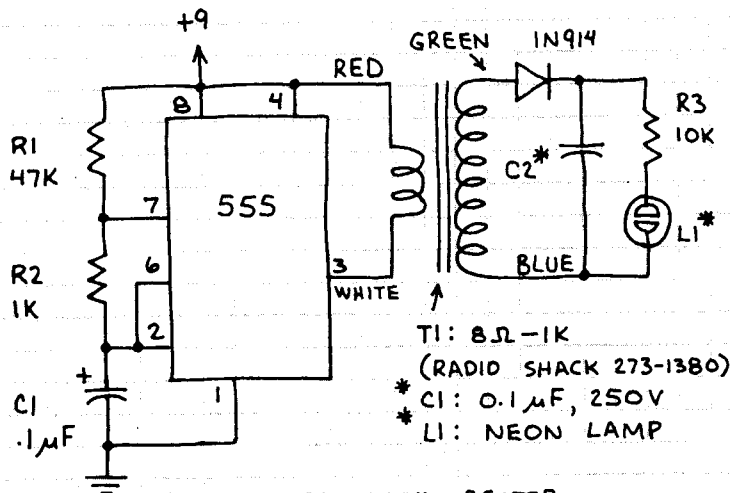


SILENT WHEN LIGHT STRIKES PHOTOCELL. REMOVE LIGHT AND TONE SOUNDS. FASTER RESPONSE THAN ADJACENT CIRCUIT.

TIMER (CONTINUED)

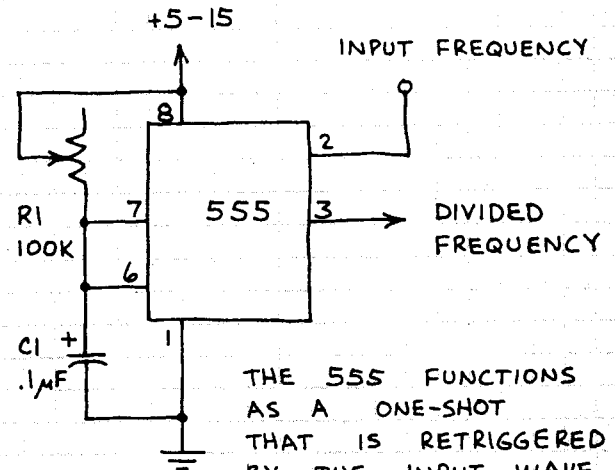
555

NEON LAMP POWER SOURCE



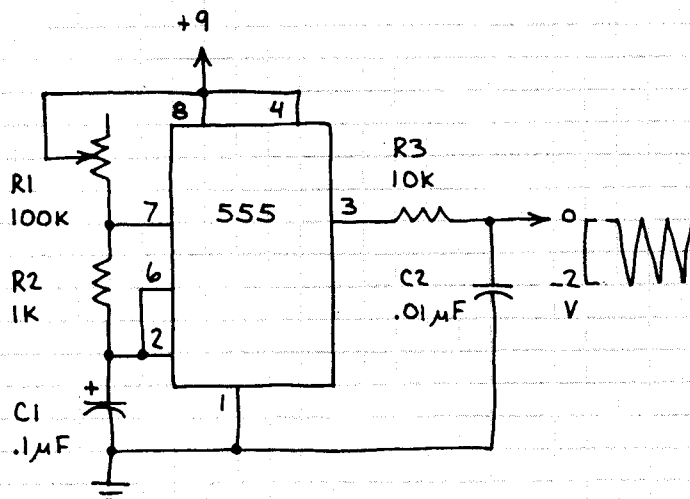
WORKS BEST WITH BETTER QUALITY NEON LAMPS. REDUCE R1 SLIGHTLY FOR MORE OUTPUT VOLTAGE.

FREQUENCY DIVIDER



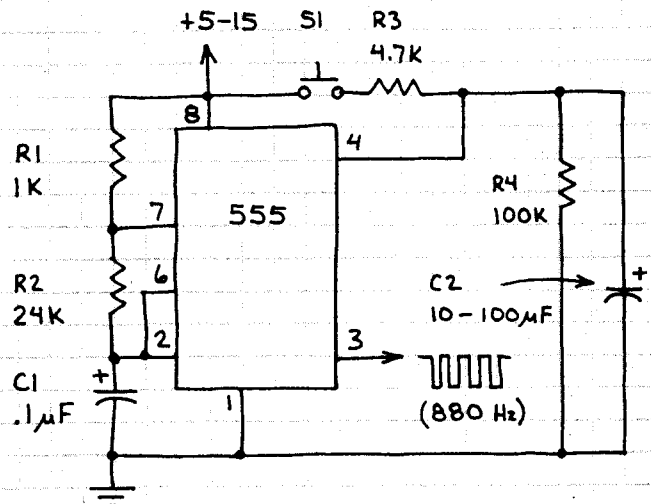
THE 555 FUNCTIONS AS A ONE-SHOT THAT IS RETRIGGERED BY THE INPUT WAVE. WAVES ARRIVING DURING THE TIMING CYCLE ARE IGNORED.

TRIANGLE WAVE GENERATOR



ADJUST R1 TO PROVIDE UP TO 10 KHz. OUTPUT FREQUENCY THIS HIGH PRODUCES CLOSELY SPACED TRIANGLE WAVES. THE WAVES ARE SEPARATED AT SLOWER FREQUENCIES (V V V).

ONE-SHOT TONE BURST

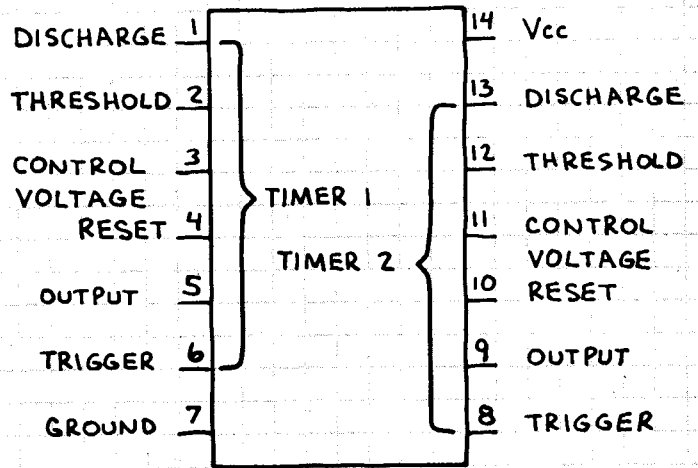


PRESS S1 AND STEADY OUTPUT FREQUENCY APPEARS AT PIN 3. RELEASE S1 AND OUTPUT FREQUENCY CONTINUES UNTIL C2 IS DISCHARGED BY R4. INCREASE C2 (OR R4) TO INCREASE LENGTH OF THE BURST. CHANGE FREQUENCY OF TONE BURST VIA R2 OR C1.

DUAL TIMER

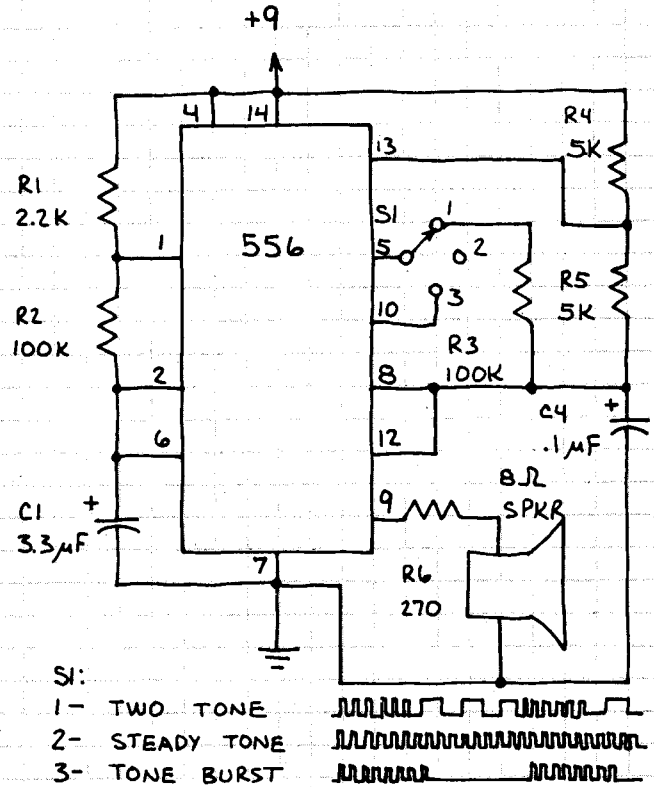
556

CONTAINS TWO INDEPENDENT TIMERS ON A SINGLE CHIP. BOTH TIMERS ARE IDENTICAL TO THE 555. ALL THE APPLICATION CIRCUITS CAN ALSO BE BUILT WITH TWO 555's. THIS PIN CROSS REFERENCE WILL SIMPLIFY SUBSTITUTING TWO 555's FOR A 556 OR HALF A 556 FOR A 555:

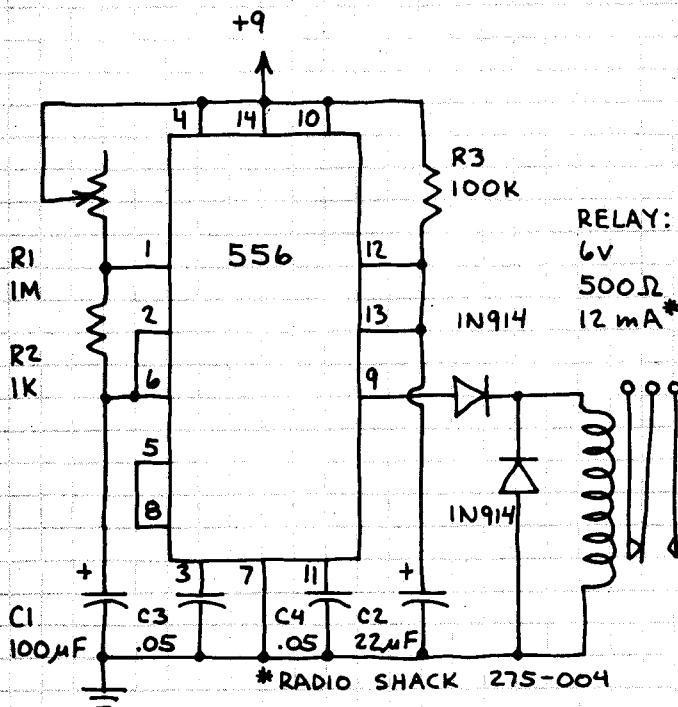


FUNCTION	555	556(1)	556(2)
GROUND	1	7	7
TRIGGER	2	6	8
OUTPUT	3	5	9
RESET	4	4	10
CONTROL V	5	3	11
THRESHOLD	6	2	12
DISCHARGE	7	1	13
Vcc	8	14	14

3-STATE TONE SOURCE

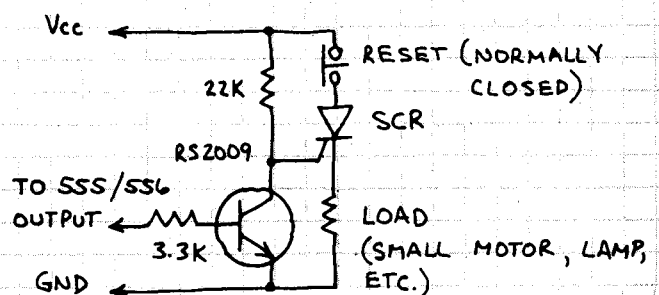


INTERVAL TIMER



TIMER 1 IS CONNECTED AS ASTABLE OSCILLATOR. TIMER 2 IS A ONE-SHOT RELAY DRIVER. 1 FIRES 2 ONCE EACH CYCLE. 2 PULLS RELAY IN FOR 3-5 SECONDS.

555/556 SCR OUTPUT

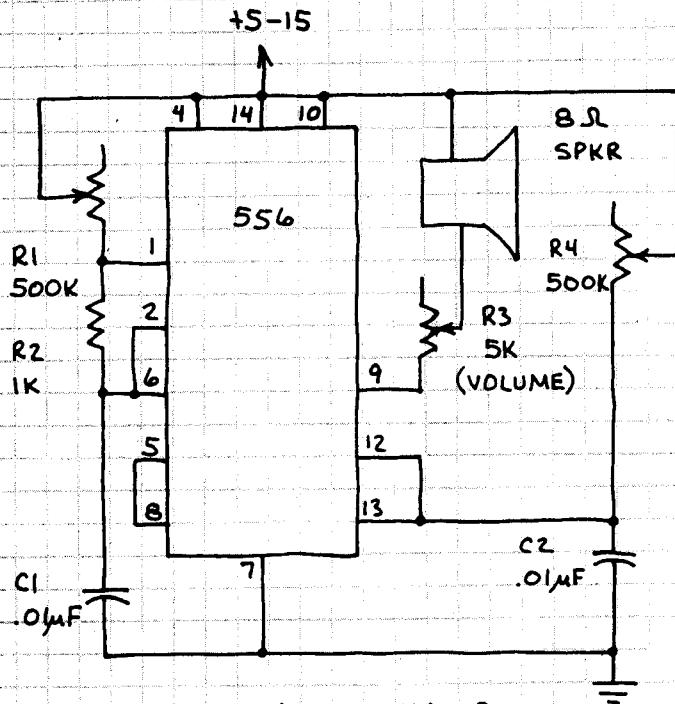


DUAL TIMER (CONTINUED)

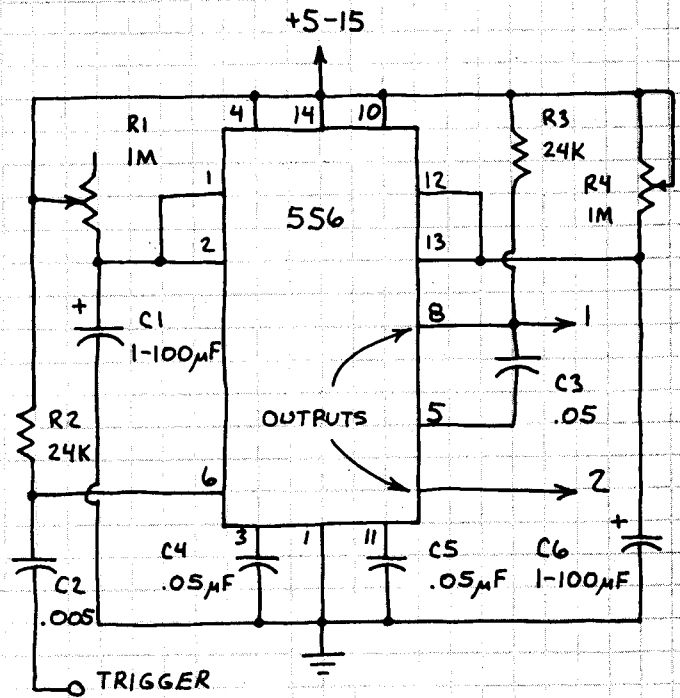
556

TWO-STAGE TIMER

SOUND SYNTHESIZER

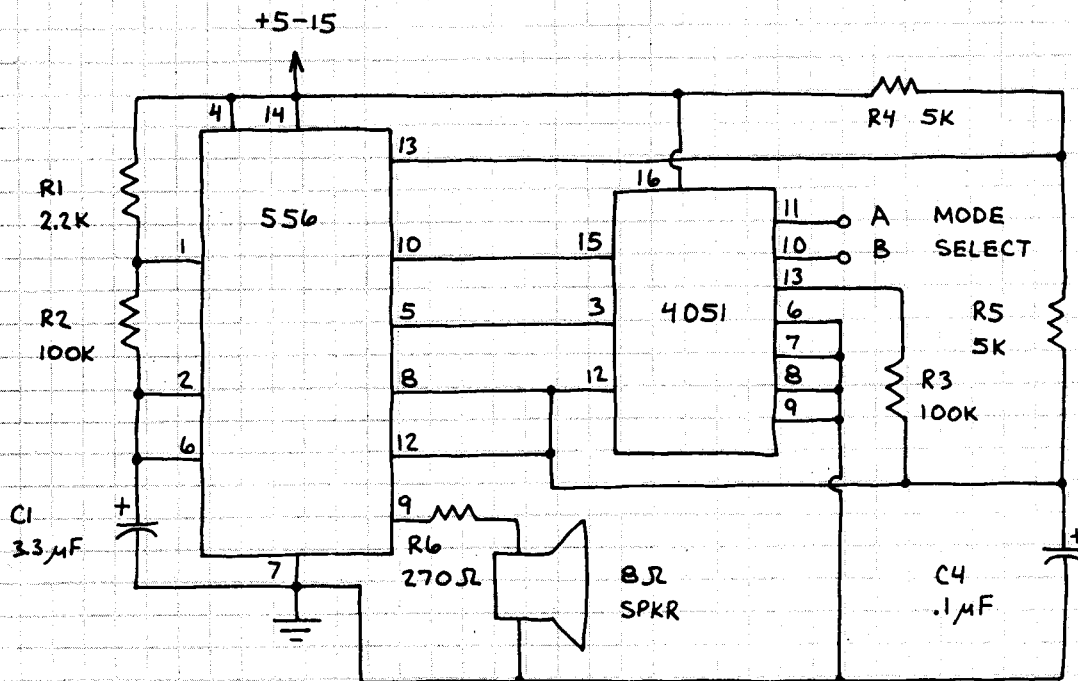


THIS CIRCUIT IS AN OSCILLATOR FOLLOWED BY A FREQUENCY DIVIDER. ADJUST R1 AND R4 FOR VERY UNUSUAL SOUND EFFECTS.



BOTH TIMERS ARE IN ONE-SHOT MODE. GROUNDING THE TRIGGER INPUT INITIATES THE FIRST TIMER'S CYCLE TIME. THE SECOND TIMER'S CYCLE BEGINS AFTER THE FIRST IS COMPLETE.

PROGRAMMABLE 4-STATE TONE GENERATOR



MODE SELECT		OUTPUT
B	A	
L	L	TWO-TONE
L	H	STEADY
H	L	BURST
H	H	METRONOME

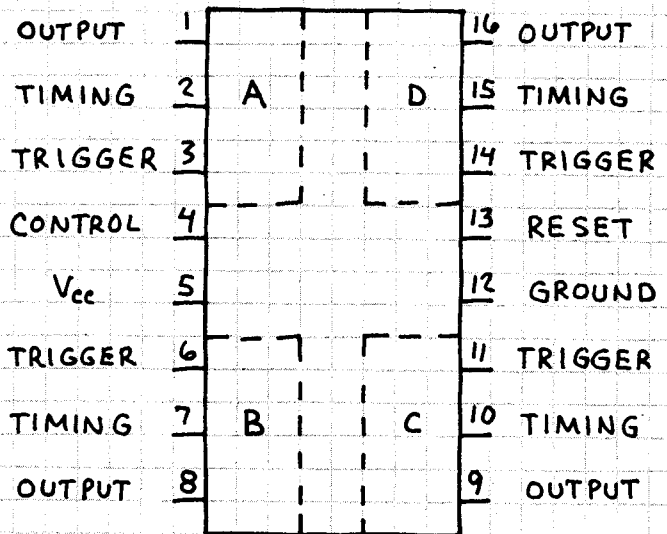
L = GND
H = +5-15 (V_{DD})

CHANGE C1 AND C4 TO ALTER THE OUTPUT TONES.

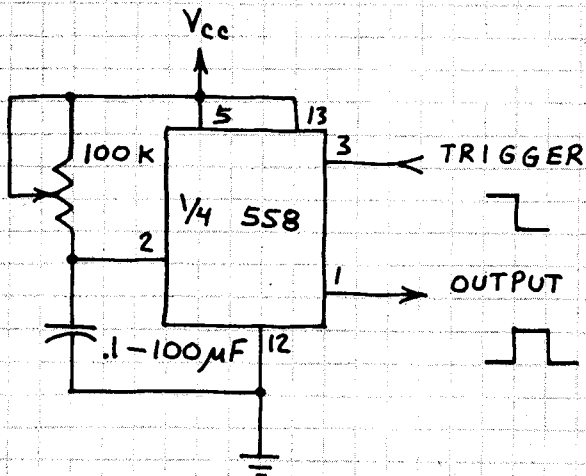
QUAD TIMER

558

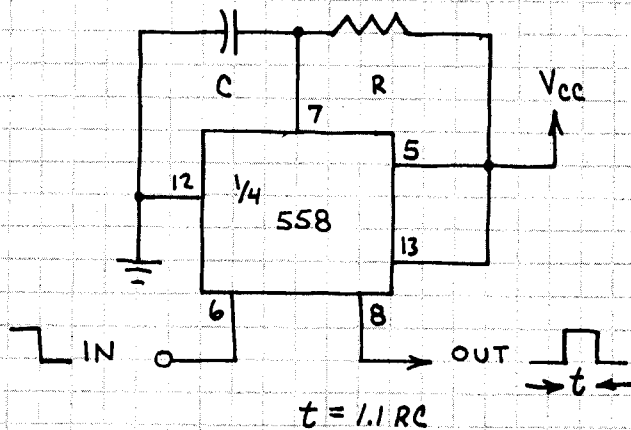
CONTAINS FOUR INDEPENDENT MONOSTABLE TIMERS. EACH TIMER IS SIMILAR TO PART OF A 555 TIMER. ASTABLE OPERATION POSSIBLE WITH ONE TIMER. $V_{cc} = +4.5$ TO 18 VOLTS. CONTROL AND RESET PINS ARE COMMON.



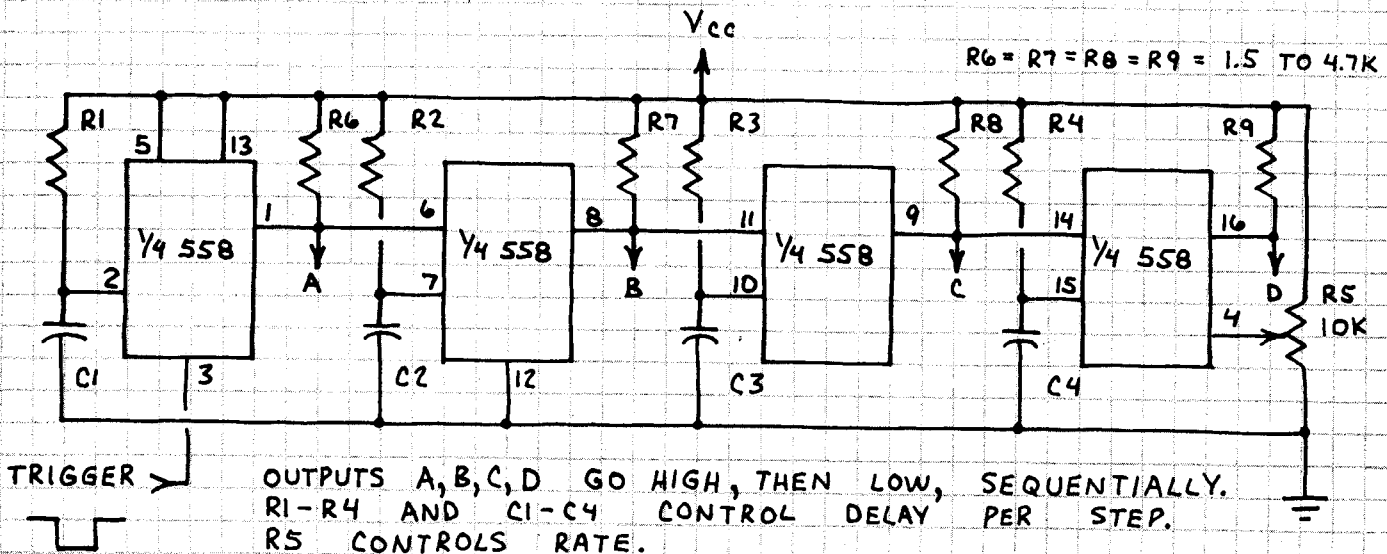
BASIC TIMER



ONE-SHOT



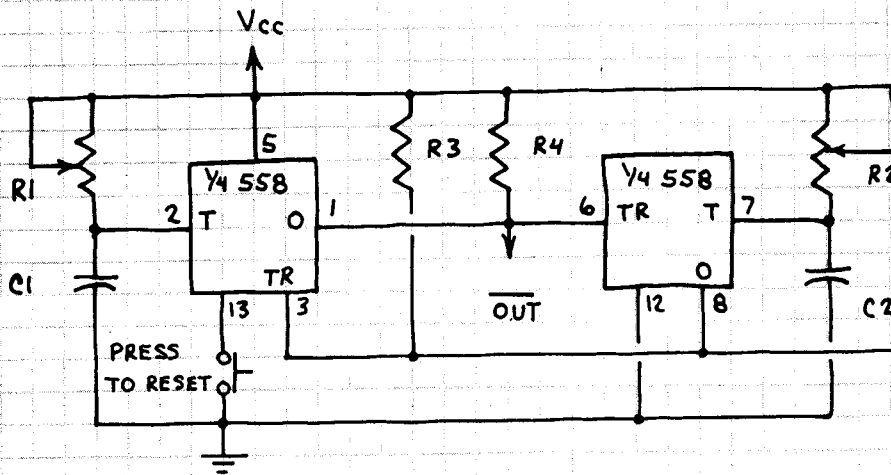
PROGRAMMABLE SEQUENCER



QUAD TIMER (CONTINUED)

558

FULLY ADJUSTABLE PULSE GENERATOR

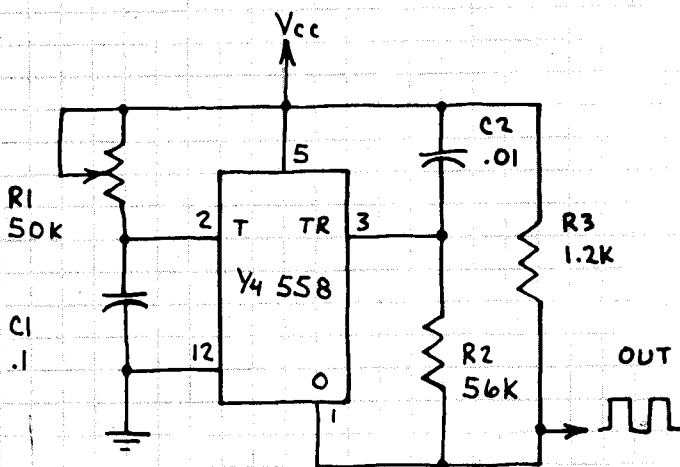


R1 CONTROLS PULSE RATE,
R2 CONTROLS PULSE WIDTH.
R3 = R4 = 1.5 TO 4.7K.

VERY USEFUL
CIRCUIT! PULSE
RATE AND
WIDTH TOTALLY
INDEPENDENT.
SEE BELOW FOR
MORE INFORMATION.

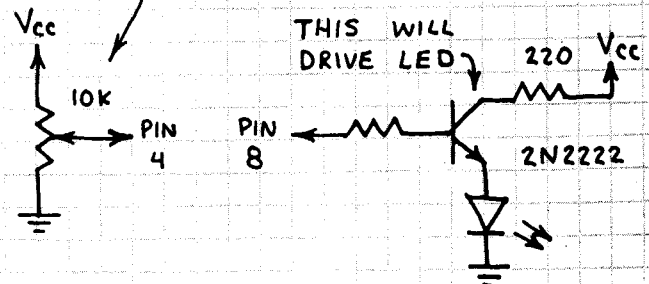
SIMPLE OSCILLATOR

FIXED DUTY CYCLE PULSER

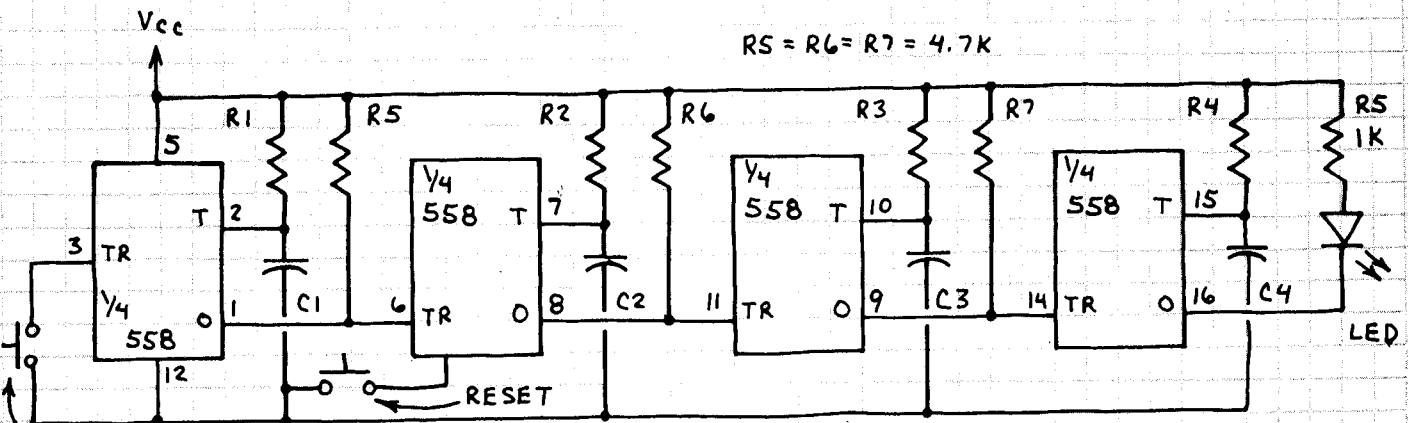


R1 CONTROLS
FREQUENCY

SEE ABOVE CIRCUIT. ADD THIS
VOLTAGE DIVIDER TO KEEP DUTY
CYCLE CONSTANT WHEN RATE IS
CHANGED



LONG DURATION TIMER

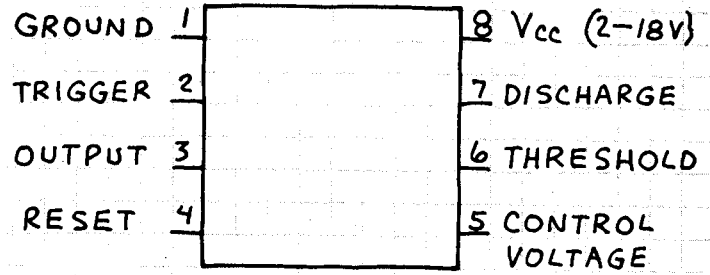


R5 = R6 = R7 = 4.7K

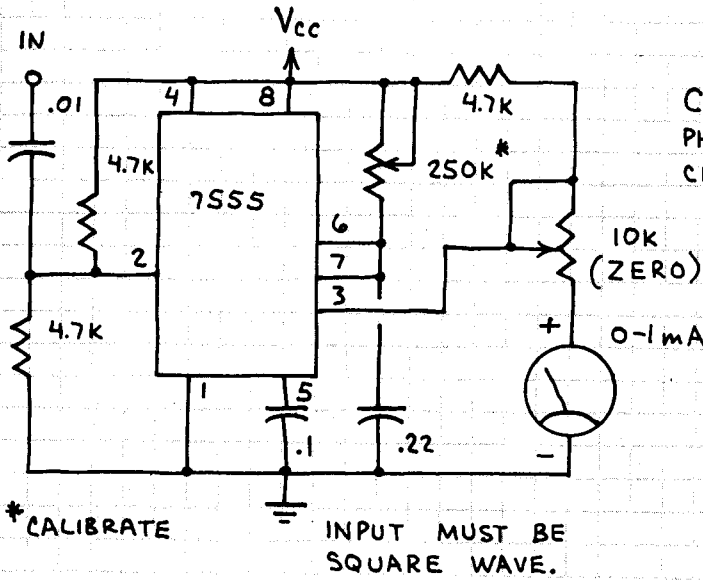
SELECT R1C1, R2C2, R3C3 AND R4C4 TO GIVE DESIRED DELAY PER
STAGE. DELAY = R X C. TOTAL DELAY = SUM OF ALL STAGES. LED TURNS
OFF AFTER TIME DELAY AND TURNS ON AGAIN.

TIMER 7555

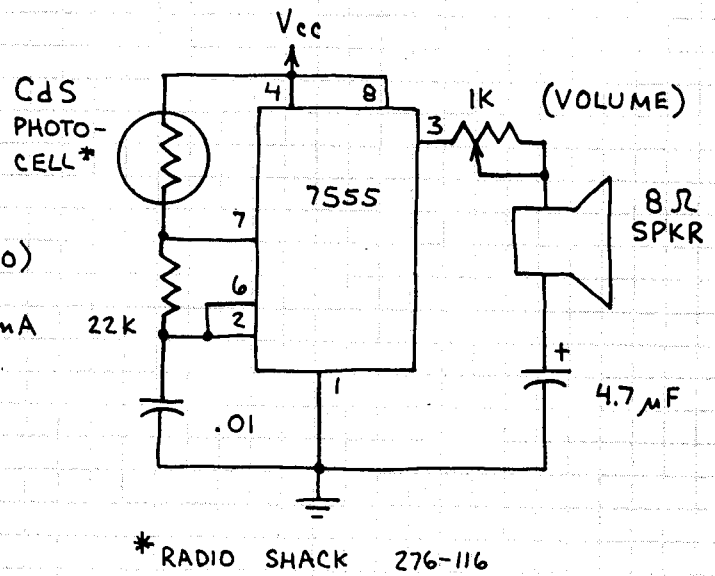
CMOS VERSION OF THE 555. VERY LOW POWER CONSUMPTION. WIDER SUPPLY VOLTAGE RANGE. LONGER TIMING CYCLES. CAUTION: APPLY POWER TO 7555 BEFORE CONNECTING EXTERNAL CIRCUIT.



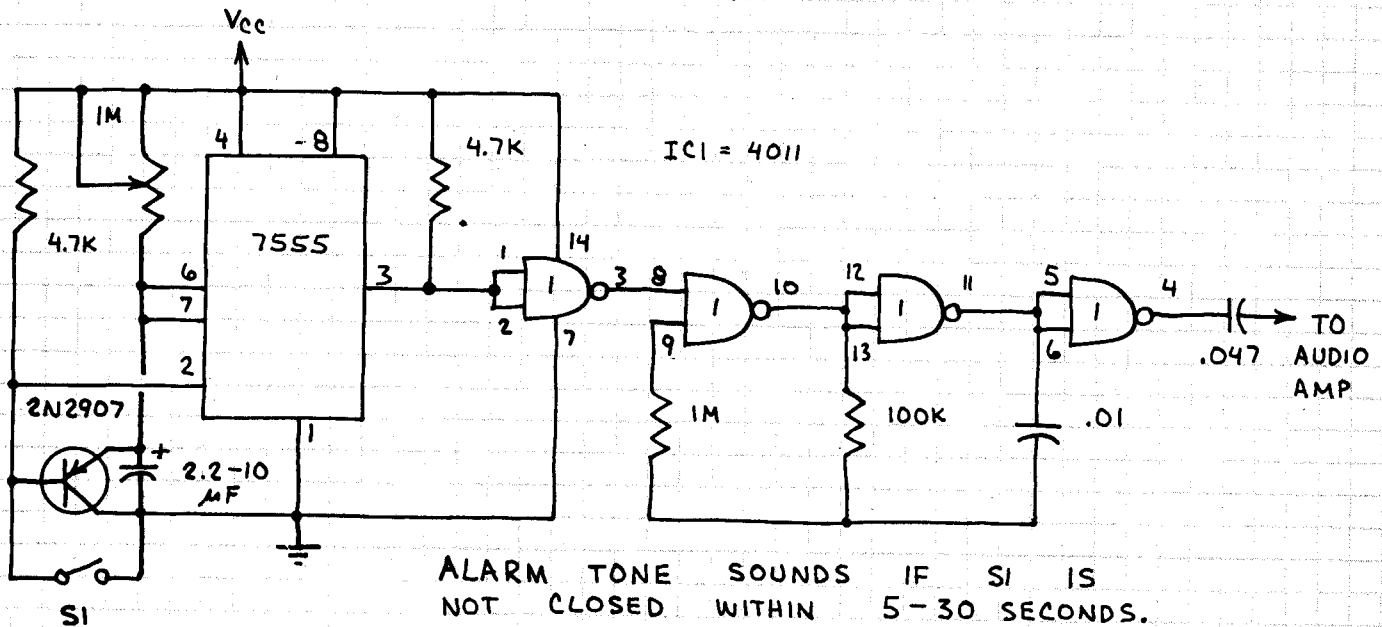
FREQUENCY METER



LIGHT PROBE FOR BLIND



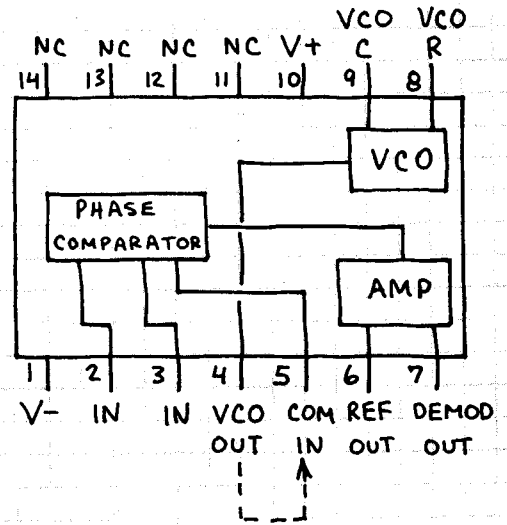
EVENT FAILURE ALARM



PHASE-LOCKED LOOP

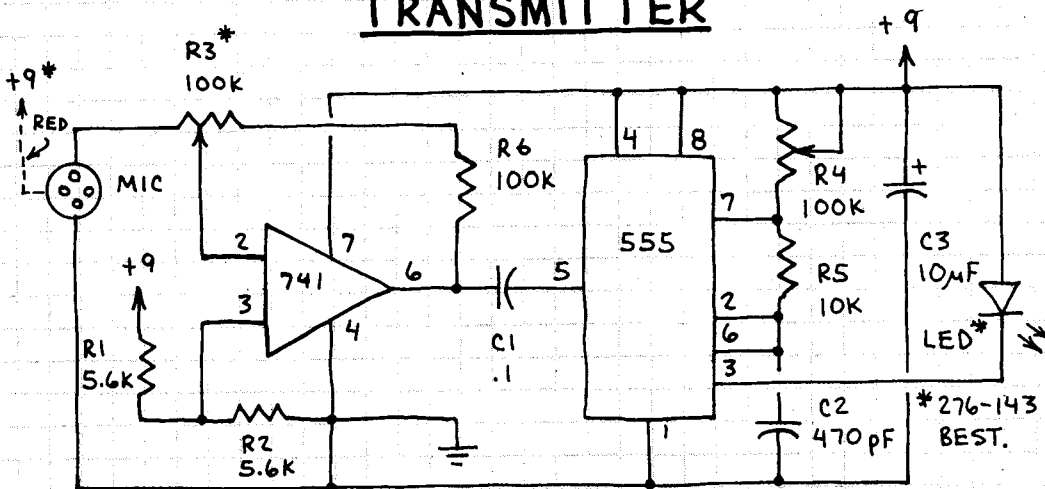
565

SOPHISTICATED ANALOG SYSTEM THAT AUTOMATICALLY TRACKS A FLUCTUATING INPUT SIGNAL. VOLTAGE CONTROLLED OSCILLATOR (VCO) FREQUENCY IS CONTROLLED BY OUTPUT VOLTAGE FROM PHASE COMPARATOR. THIS CAUSES VCO SIGNAL FREQUENCY TO MOVE TOWARD INPUT SIGNAL. THE COMPARATOR VOLTAGE OUTPUT IS AMPLIFIED AND AVAILABLE FOR COMMUNICATIONS APPLICATIONS... AS SHOWN BELOW. SEE RADIO SHACK DATA BOOK FOR MORE INFORMATION.



PULSE-FREQUENCY-MODULATED INFRARED COMMUNICATOR

TRANSMITTER



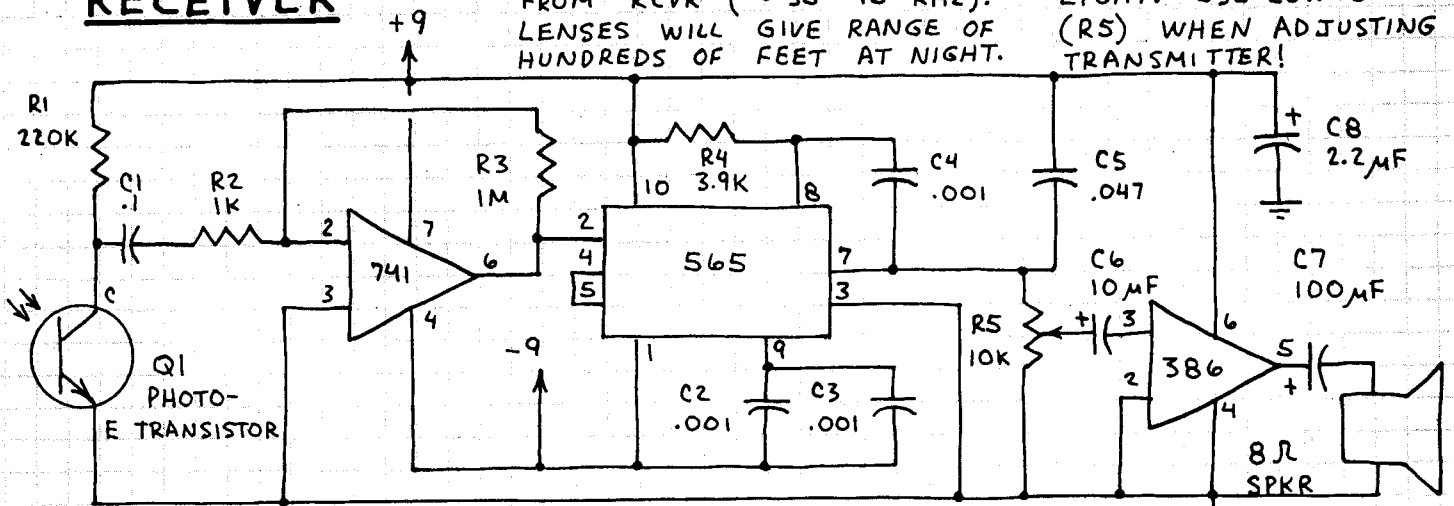
TRANSMITTER: R3 CONTROLS GAIN. R4 CONTROLS CARRIER FREQUENCY. FOR INITIAL TESTS, REMOVE MIC AND CONNECT TRANSISTOR RADIO PHONE OUTPUT TO R3 VIA 4.7 µF AND GND. USE LOW VOLUME SETTING. R3 MUST BE 100K.

RECEIVER: R5 CONTROLS GAIN. C2 AND C3 GIVE VCO CENTER FREQUENCY OF ~40.6 KHZ. SHIELD Q1 WITH TUBE TO BLOCK EXTERNAL LIGHT. USE LOW GAIN (R5) WHEN ADJUSTING TRANSMITTER!

MIC: XTAL (270-095) OK.
* ELECTRET (270-092) BEST.
R3: TRY 1M FOR MORE GAIN.

OPERATION: POINT LED AT Q1. APPLY POWER AND ADJUST R4 IN XMTR UNTIL GOOD QUALITY SOUND HEARD FROM RCVR (~35-45 KHZ). LENSES WILL GIVE RANGE OF HUNDREDS OF FEET AT NIGHT.

RECEIVER

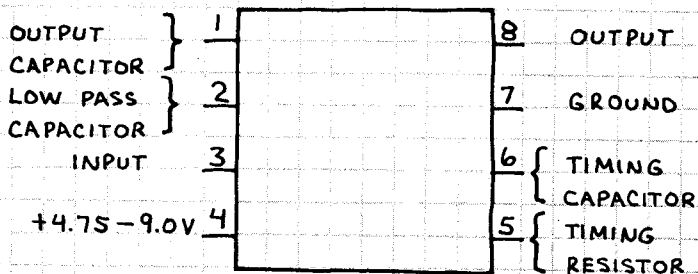


KEEP PWR LEADS ON BOTH UNITS SHORT. USE 0.1µF ACROSS PWR CONNECTIONS (AT CHIPS) IF OSCILLATION OCCURS. HAVE FUN.

567 TONE DECODER

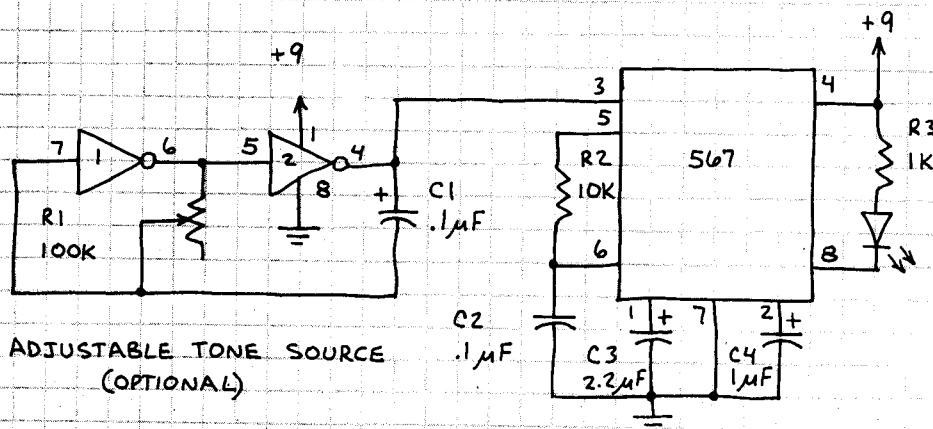
567

CONTAINS A PHASE-LOCKED LOOP. PIN 8 GOES LOW WHEN THE INPUT FREQUENCY MATCHES THE CHIP'S CENTER FREQUENCY (f_0). THE LATTER FREQUENCY IS SET BY THE TIMING RESISTOR AND CAPACITOR (R AND C) AND IS $(1.1) \div (RC)$. R SHOULD BE BETWEEN 2K-20K. THE 567 CAN BE ADJUSTED TO DETECT ANY INPUT BETWEEN 0.01 HZ TO 500KHZ. NOTE: 1 SECOND OR MORE MAY BE REQUIRED FOR THE 567 TO LOCK ON TO LOW FREQUENCY INPUTS! SEE THIS CHIP'S SPECIFICATIONS FOR MORE INFORMATION.



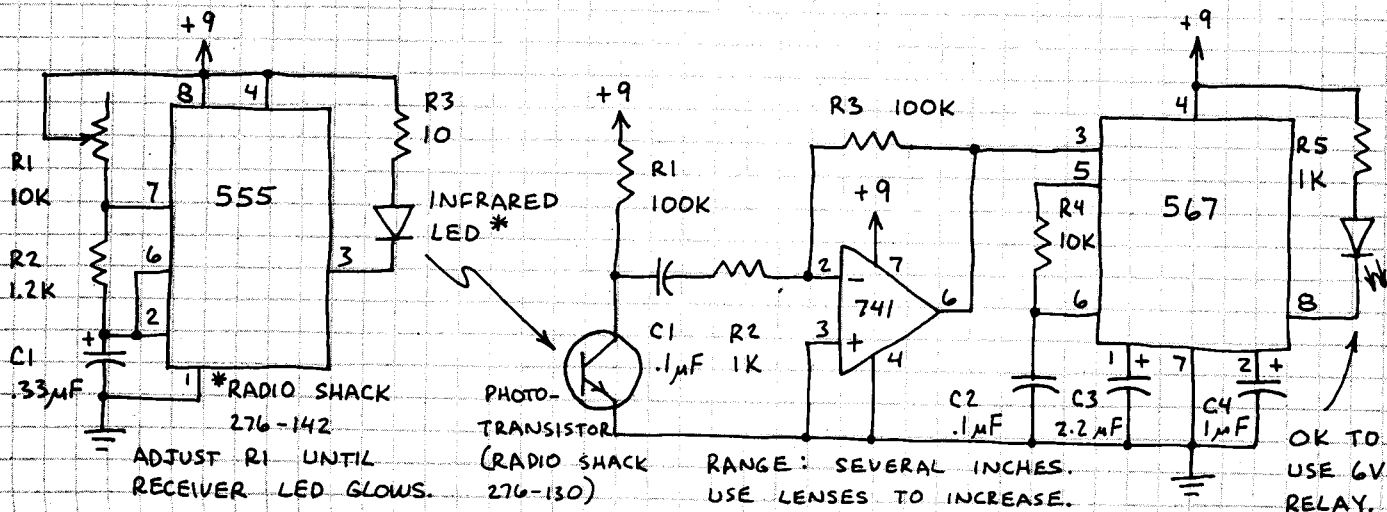
THE VALUE IN MICROFARADS OF THE LOW PASS CAPACITOR SHOULD BE n / f_0 WHERE n RANGES BETWEEN 1300 (FOR UP TO 14% f_0 DETECTION BANDWIDTH) TO 62,000 (UP TO 2% f_0 DETECTION BANDWIDTH). THE OUTPUT CAPACITOR SHOULD HAVE ABOUT TWICE THE CAPACITANCE OF THE LOW PASS FILTER CAPACITOR.

BASIC TONE DETECTOR CIRCUIT



THIS CIRCUIT IS HANDY FOR LEARNING TONE DECODER BASICS. THE 567 PORTION CAN BE USED IN MANY DIFFERENT APPLICATIONS (SEE BELOW). THE PREDICTED f_0 IS 1.1 KHZ. THE TEST CIRCUIT f_0 WAS 1.3KHZ.

INFRARED REMOTE CONTROL SYSTEM



ADJUST R1 UNTIL RECEIVER LED GLOWS.

PHOTO-TRANSISTOR (RADIO SHACK 276-130)

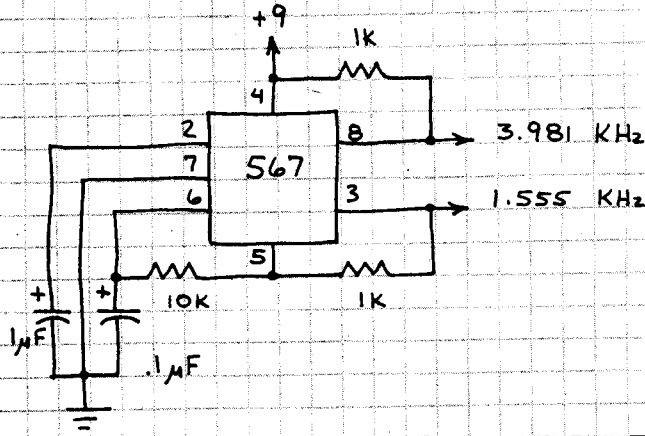
RANGE: SEVERAL INCHES. USE LENSES TO INCREASE.

OK TO USE 6V RELAY.

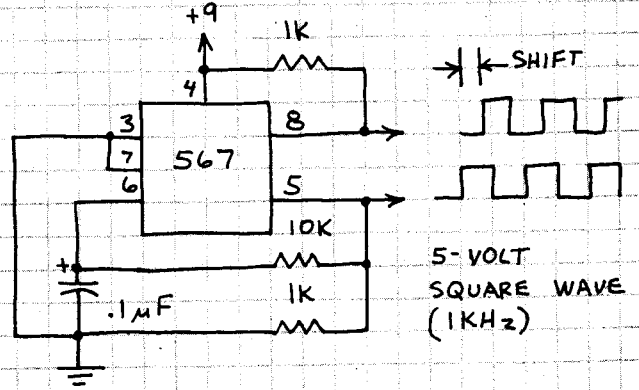
567 TONE DECODER (CONTINUED)

567

2-FREQUENCY OSCILLATOR

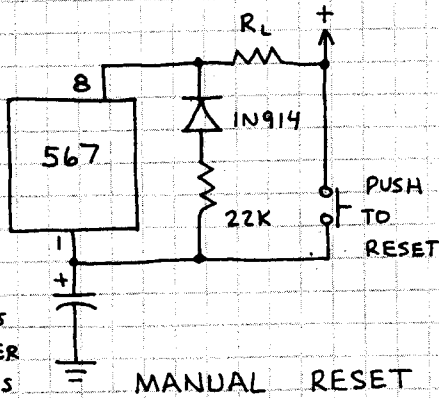


2-PHASE OSCILLATOR



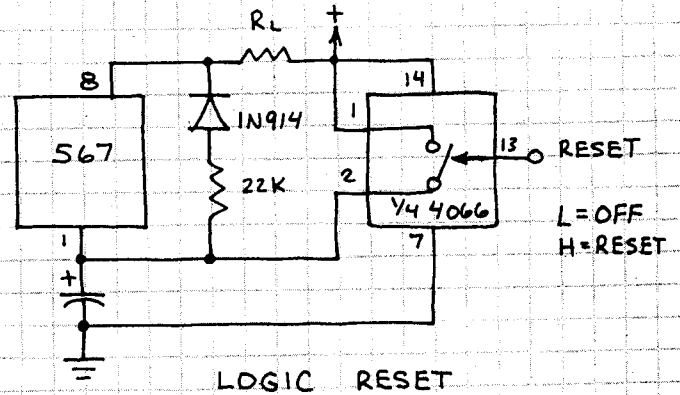
LATCHING THE 567 OUTPUT *

BOTH CIRCUITS SHOW ONLY THE LATCH COMPONENTS. R_L IS THE LOAD (LED, RELAY, ETC.).



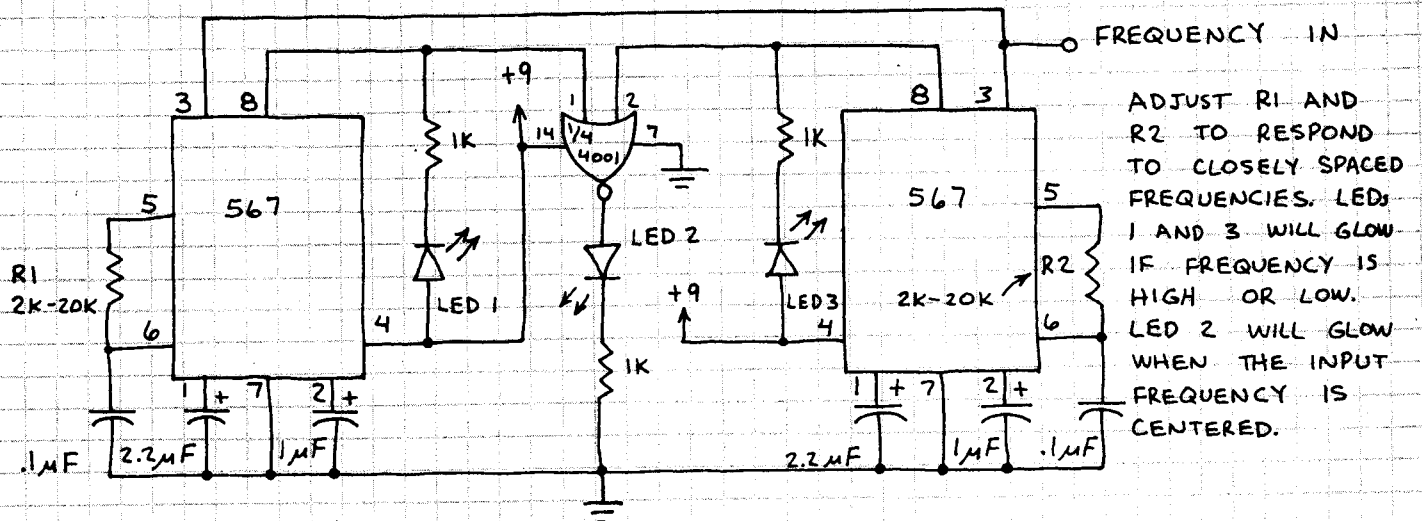
* OUTPUT STAYS ON EVEN AFTER INPUT TONE IS REMOVED.

MANUAL RESET



LOGIC RESET

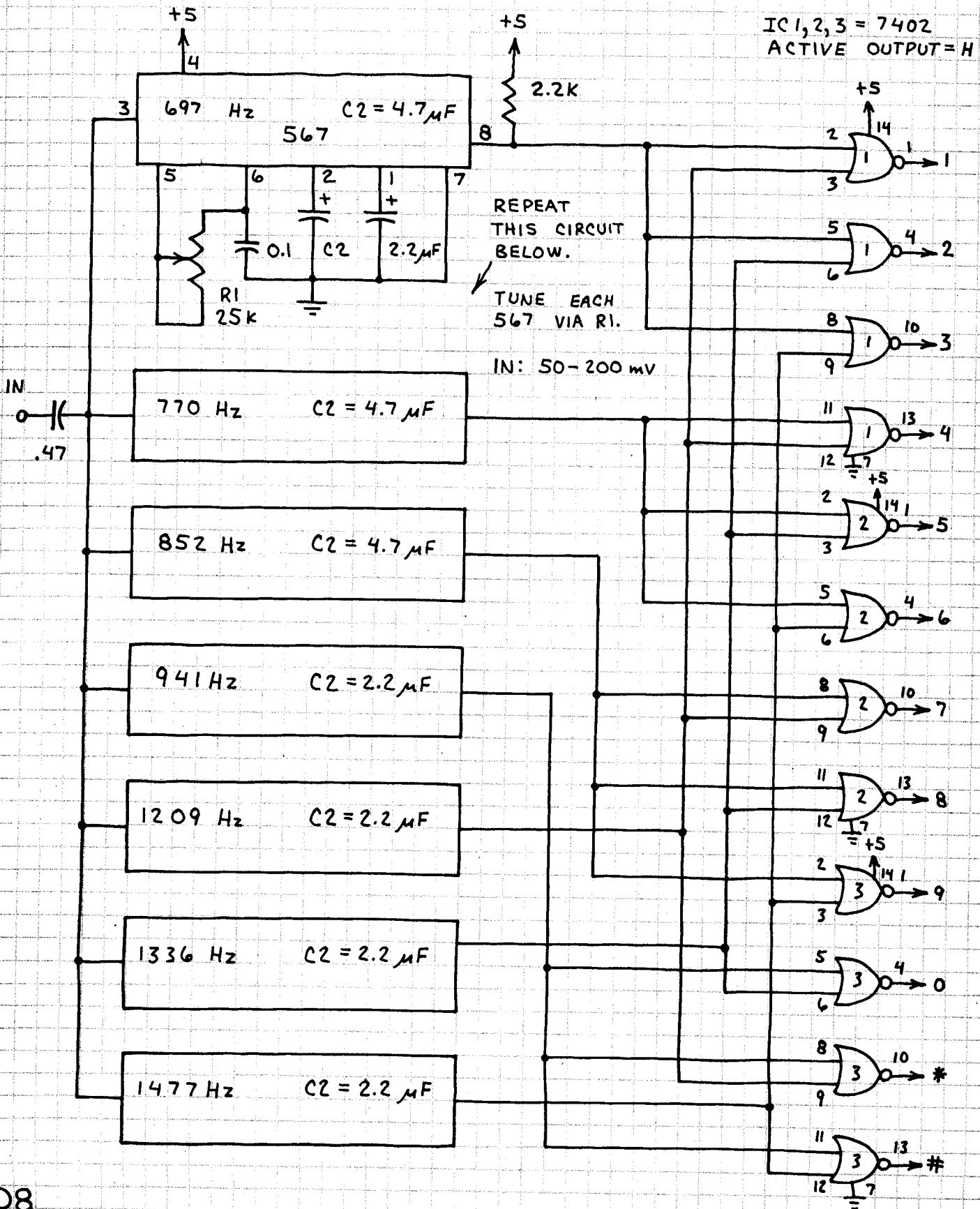
NARROW BAND FREQUENCY DETECTOR



TONE DECODER (CONTINUED)

567

TOUCH-TONE[®] DECODER



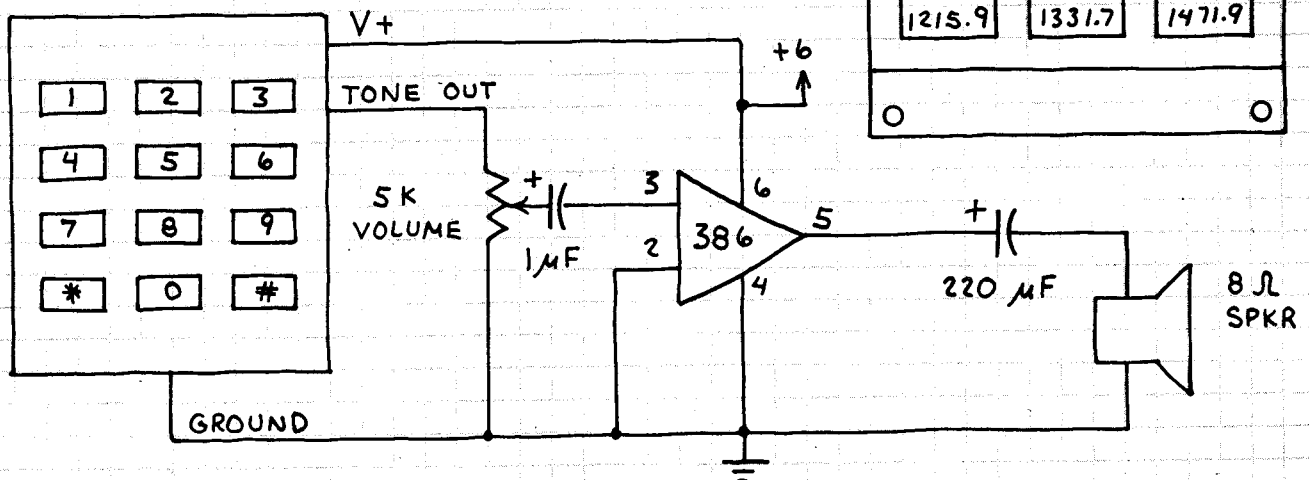
12-KEY PUSHBUTTON TONE MODULE CEX-4000

GENERATES THE 12 STANDARD TELEPHONE TONE DIALING FREQUENCY PAIRS. $V+$ SHOULD NOT EXCEED 6 VOLTS. REQUIRES 3.58 MHz CRYSTAL. OK TO USE FROM 1 TO 12 KEYS FOR REMOTE CONTROL.

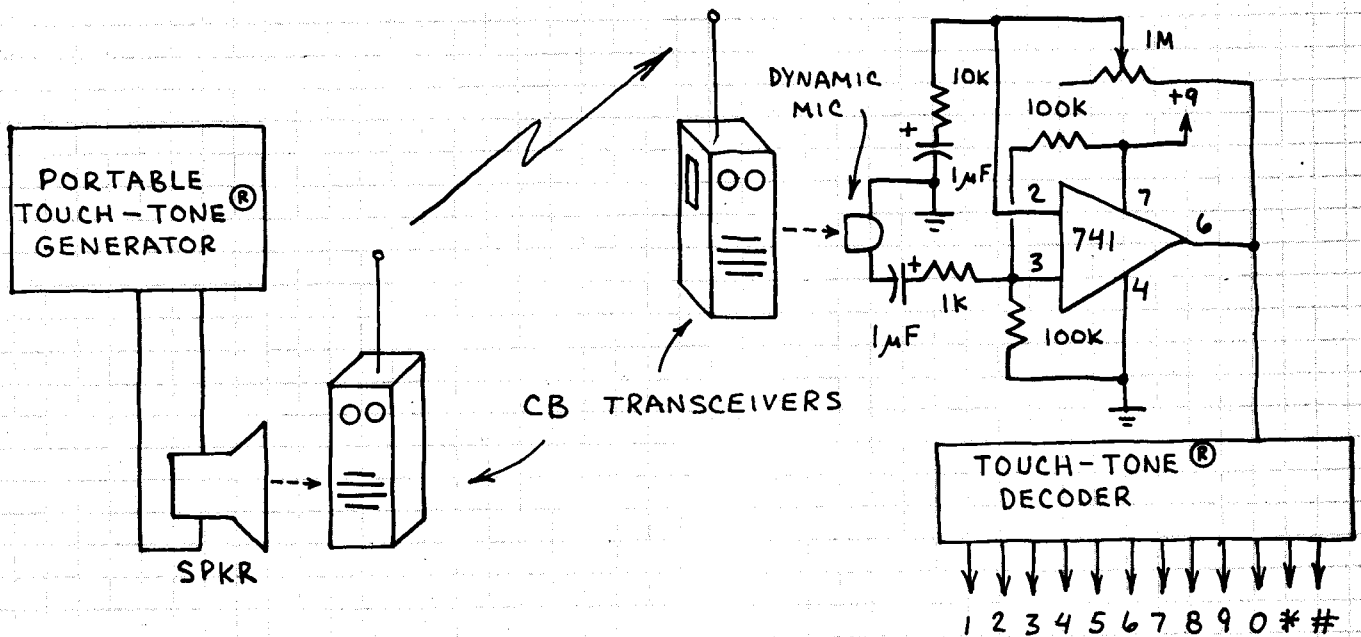
TOUCH-TONE[®] IS A REGISTERED TRADEMARK OF AT&T.

O (FREQUENCIES IN Hz) O		
1 699.1 1215.9	2 699.1 1331.7	3 699.1 1471.9
4 766.2 1215.9	5 766.2 1331.7	6 766.2 1471.9
7 847.4 1215.9	8 847.4 1331.7	9 847.4 1471.9
* 948 1215.9	0 948 1331.7	# 948 1471.9

PORTABLE TOUCH-TONE[®] GENERATOR

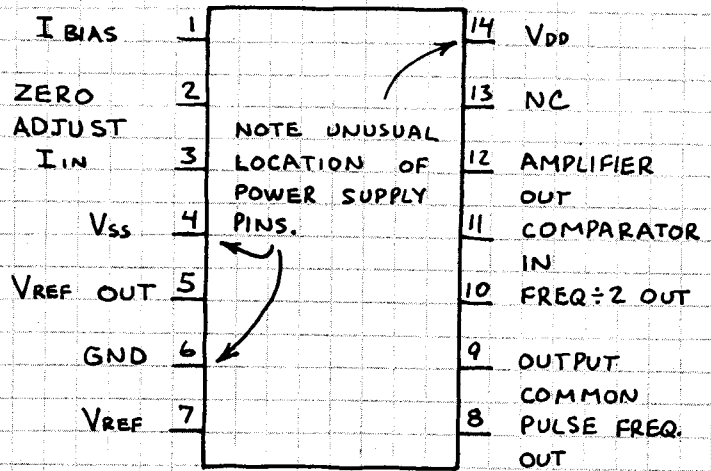


REMOTE CONTROL



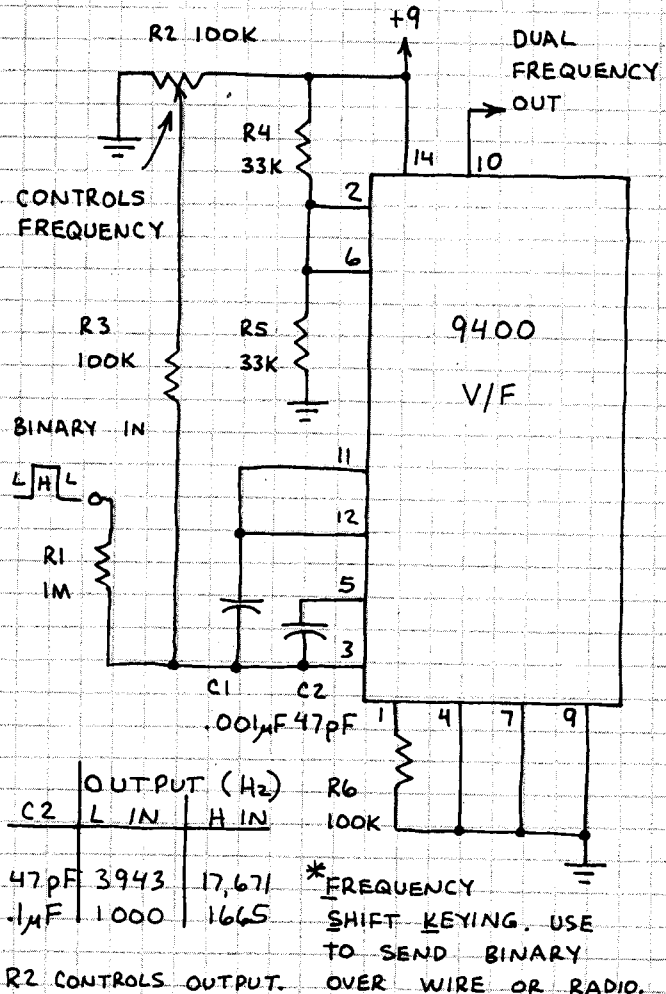
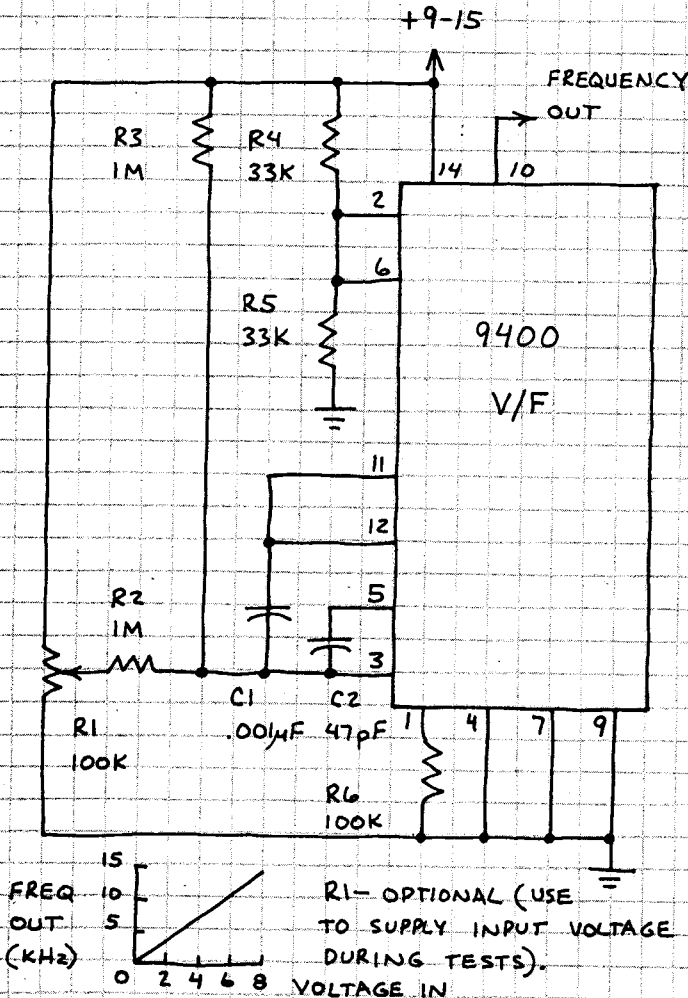
VOLTAGE-TO-FREQUENCY FREQUENCY-TO-VOLTAGE CONVERTER 9400 (276-1790)

IN VOLTAGE-TO-FREQUENCY (V-F) MODE, AN INPUT VOLTAGE WHICH HAS BEEN CONVERTED INTO A CURRENT BY A RESISTOR AT PIN 3 IS TRANSFORMED INTO A PROPORTIONAL FREQUENCY. IN FREQUENCY-TO-VOLTAGE MODE A FREQUENCY AT PIN 11 IS CONVERTED INTO A PROPORTIONAL VOLTAGE. THIS CHIP CAN BE OPERATED FROM A SINGLE OR DUAL POLARITY POWER SUPPLY.



CAUTION: THIS CHIP INCORPORATES BOTH BIPOLAR AND CMOS CIRCUITRY. THEREFORE CMOS HANDLING PRECAUTIONS MUST BE FOLLOWED TO AVOID PERMANENT DAMAGE.

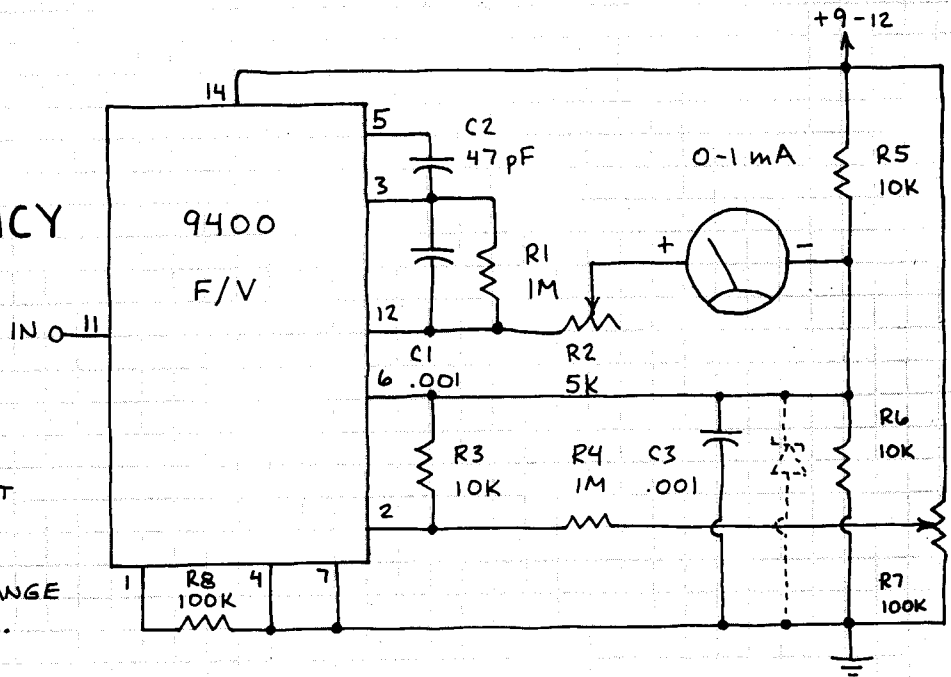
BASIC V/F CONVERTER FSK* DATA TRANSMITTER



VOLTAGE-TO-FREQUENCY (CONTINUED) FREQUENCY-TO-VOLTAGE CONVERTER 9400

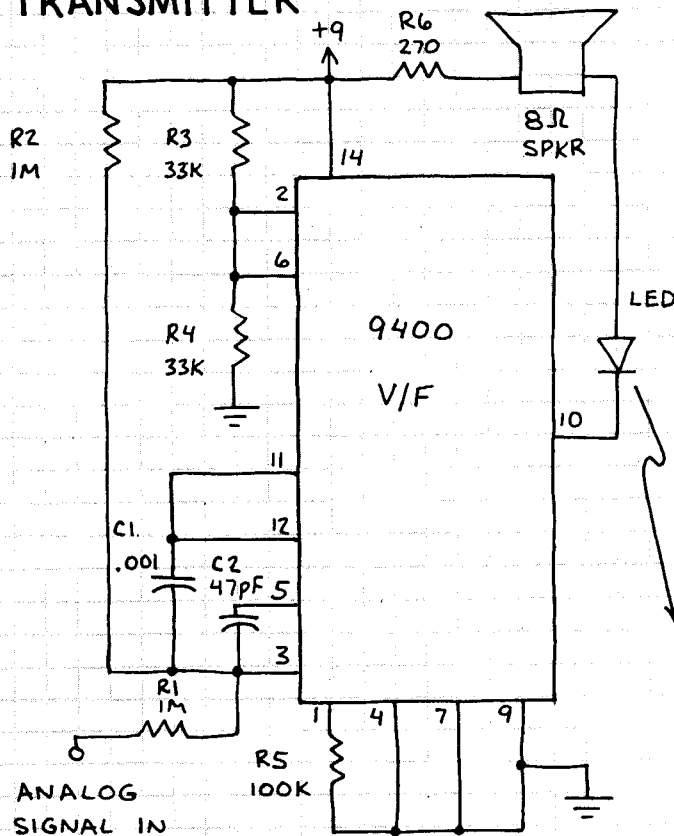
AUDIO FREQUENCY METER

INPUT FREQUENCY MUST CROSS 0 VOLT. WORKS UP TO 25 KHz. R2 IS ZERO ADJUST FOR METER. ADJUST R7 TO GIVE MAXIMUM READING AT 25 KHz IN. FOR MORE STABILITY, CHANGE R6 TO 6-V ZENER DIODE.

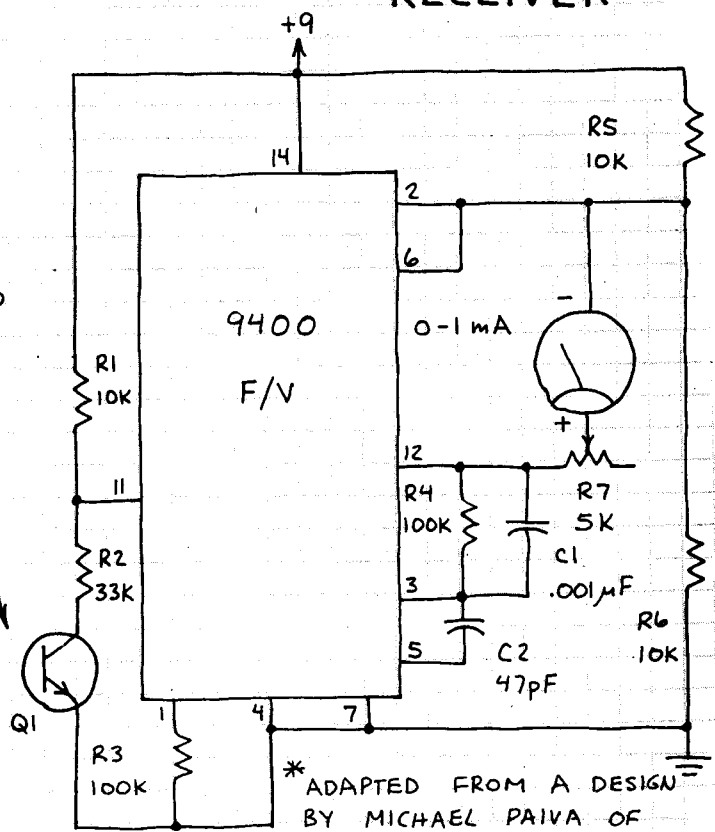


ANALOG DATA TRANSMISSION SYSTEM*

TRANSMITTER



RECEIVER



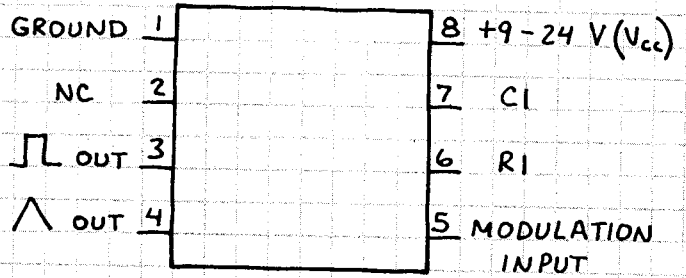
* ADAPTED FROM A DESIGN BY MICHAEL PAIVA OF TELEDYNE.

THE SPKR IS OPTIONAL BUT MAY PROVE HELPFULL DURING INITIAL TESTING. USE AN INFRARED LED (RADIO SHACK 276-42). Q1 CAN BE THE PHOTOTRANSISTOR SUPPLIED WITH THE LED OR RADIO SHACK 276-130. R7 IN THE RECEIVER IS ZERO ADJUST.

VOLTAGE CONTROLLED OSCILLATOR (VCO)

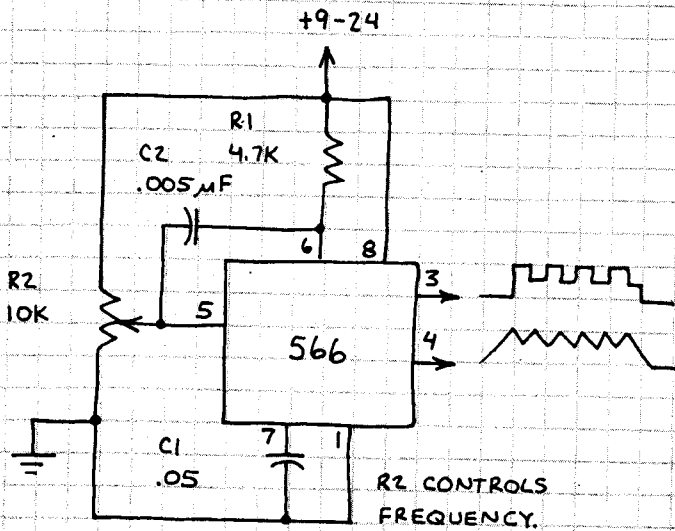
566

VERY STABLE, EASY TO USE TRIANGLE AND SQUARE WAVE OUTPUTS. R1 AND C1 CONTROL CENTER FREQUENCY. VOLTAGE AT PIN 5 VARIES FREQUENCY. **IMPORTANT:** OUTPUT WAVE DOES NOT FALL TO 0 VOLT! AT 12 VOLTS (PIN 8), FOR EXAMPLE, TRIANGLE OUTPUT CYCLES BETWEEN +4 AND +6 VOLTS. SQUARE OUTPUT CYCLES BETWEEN +6 AND +11.5 VOLTS.

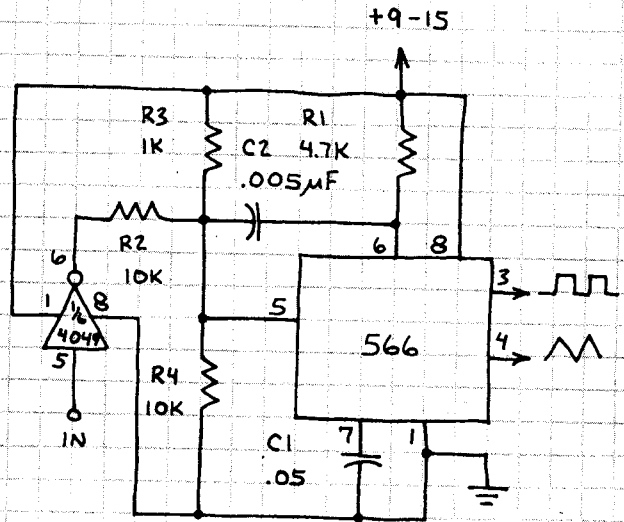


$$\text{CENTER FREQUENCY} = \frac{2 (V_{cc} - \text{INPUT VOLTS})}{R1 C1 V_{cc}}$$

FUNCTION GENERATOR



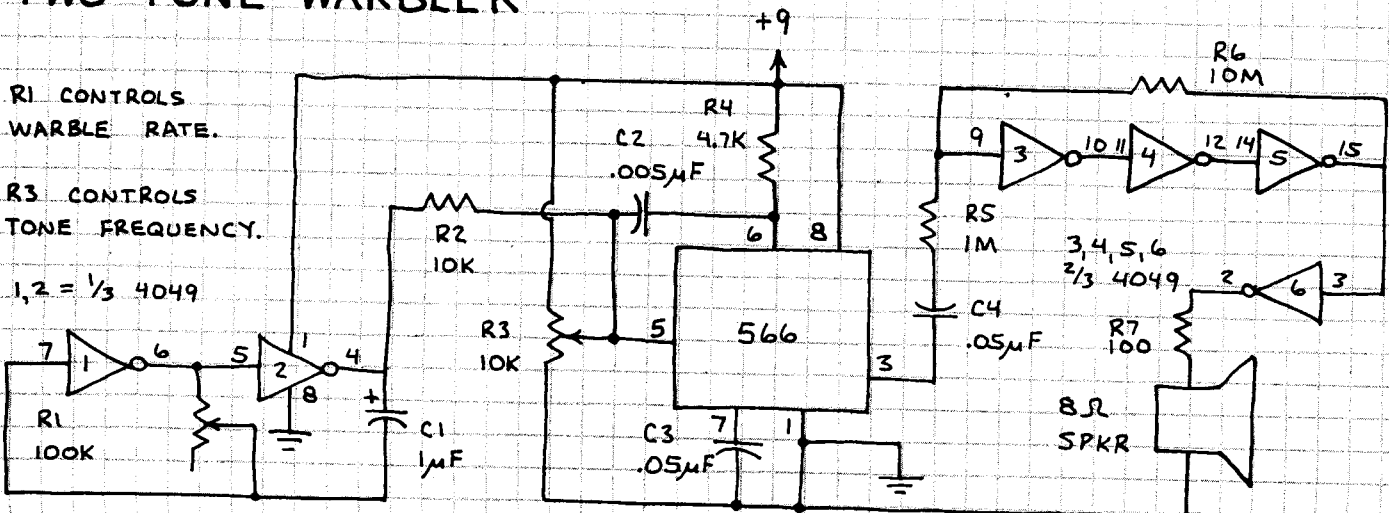
FSK GENERATOR *



* FSK MEANS FREQUENCY SHIFT KEYING.

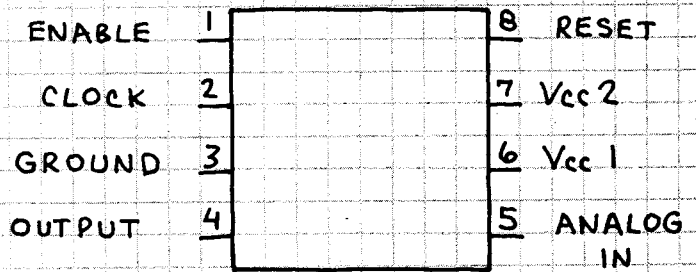
IN	OUTPUT	USE TO TRANSMIT BINARY DATA OVER TELEPHONE LINES, OR STORE BINARY DATA ON MAGNETIC TAPE.
L	1.5 KHz	V _{cc} = 9 VOLTS.
H	3.0 KHz	

TWO-TONE WARBLER



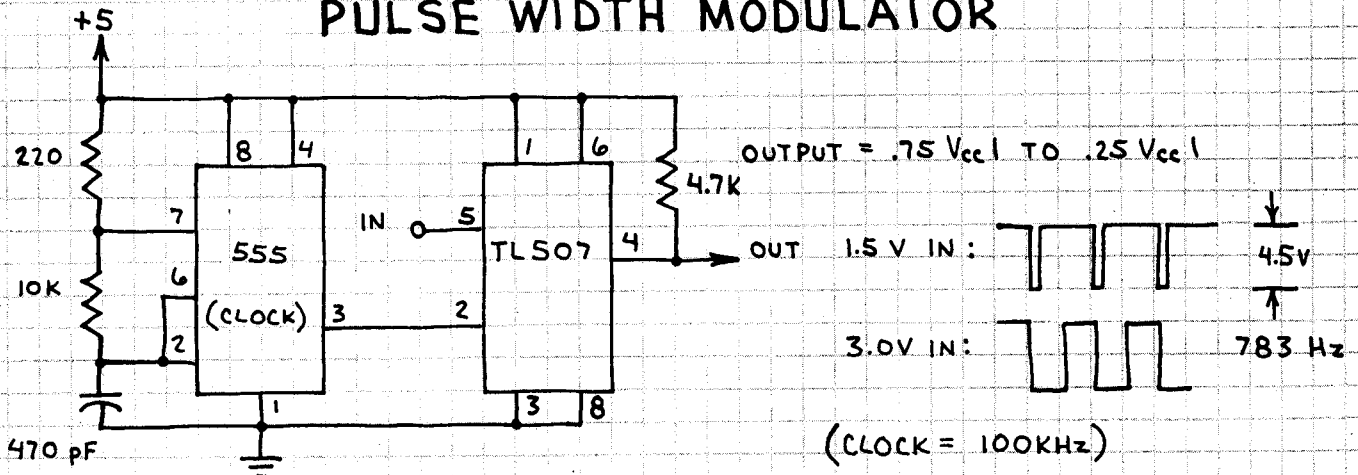
ANALOG-TO-DIGITAL CONVERTER TL507

PROVIDES ANALOG-TO-DIGITAL CONVERSION FOR MICROPROCESSORS. CAN PROVIDE 4-BIT OR 8-BIT OUTPUT WITH EXTERNAL COUNTER PLUS STEERING LOGIC. MAKES GOOD PULSE WIDTH MODULATOR. NOTE: USE V_{cc1} OR V_{cc2} .

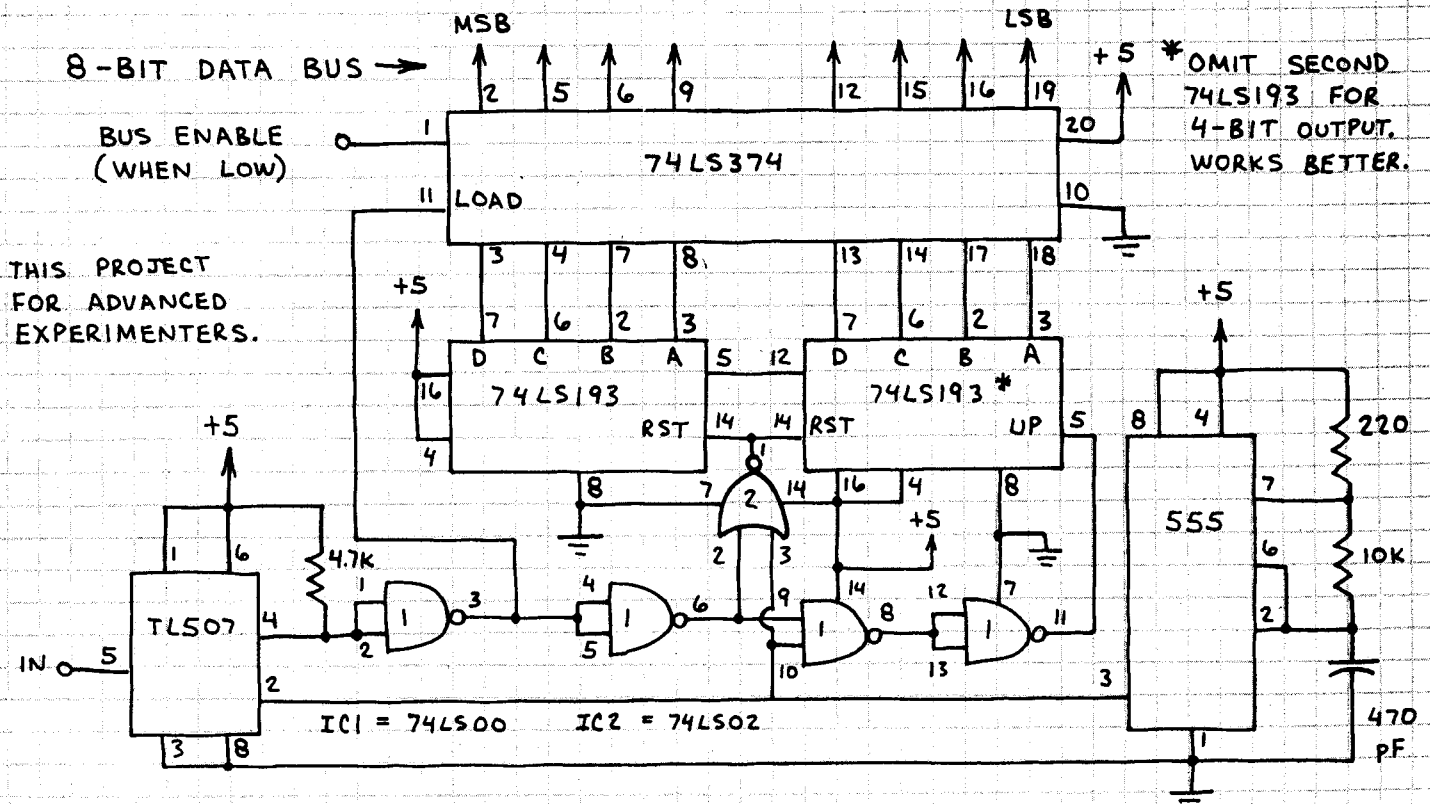


V_{cc1} - 3.5 TO 6 VOLTS
 V_{cc2} - 8 TO 18 VOLTS

PULSE WIDTH MODULATOR



8-BIT ANALOG-TO-DIGITAL CONVERTER

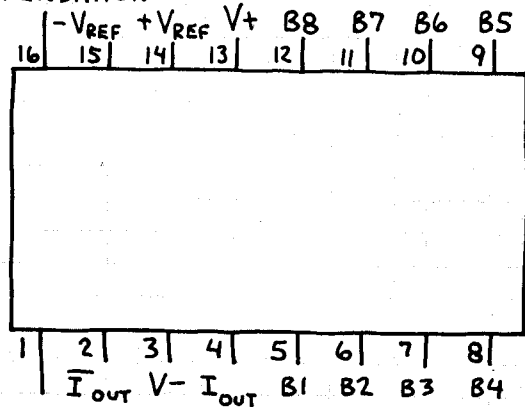


8-BIT DIGITAL-TO-ANALOG CONVERTER DAC 801

PROVIDES VERY FAST 8-BIT DIGITAL-TO-ANALOG CONVERSION. WILL ACCEPT TTL LEVELS AT INPUTS B1 TO B8. CAN PROVIDE \pm OUTPUT. USE TO INTERFACE MICROCOMPUTER TO ANALOG DEVICES.

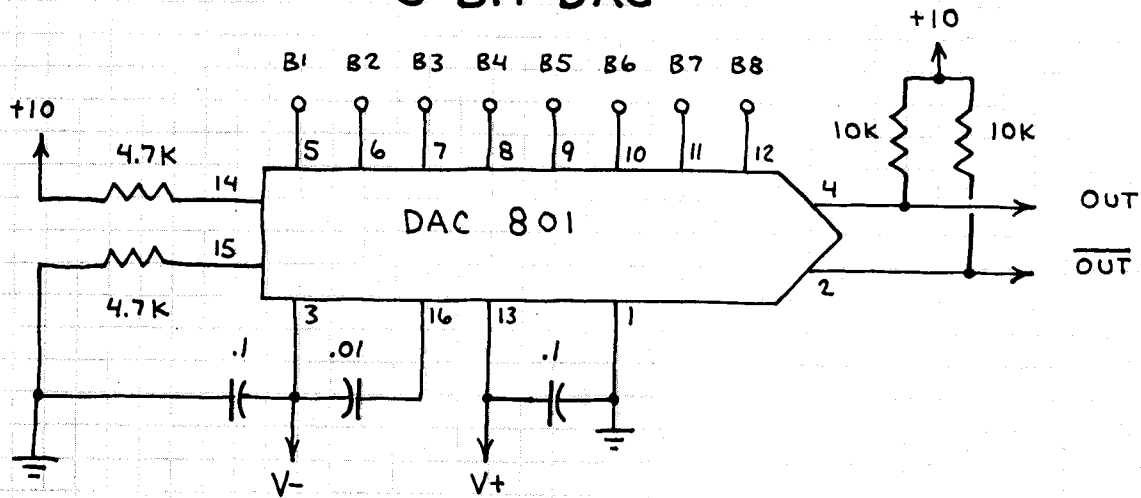
B1 - MOST SIGNIFICANT BIT.
B8 - LEAST SIGNIFICANT BIT.
 V_{\pm} - ± 4.5 TO 18 V.

COMPENSATION



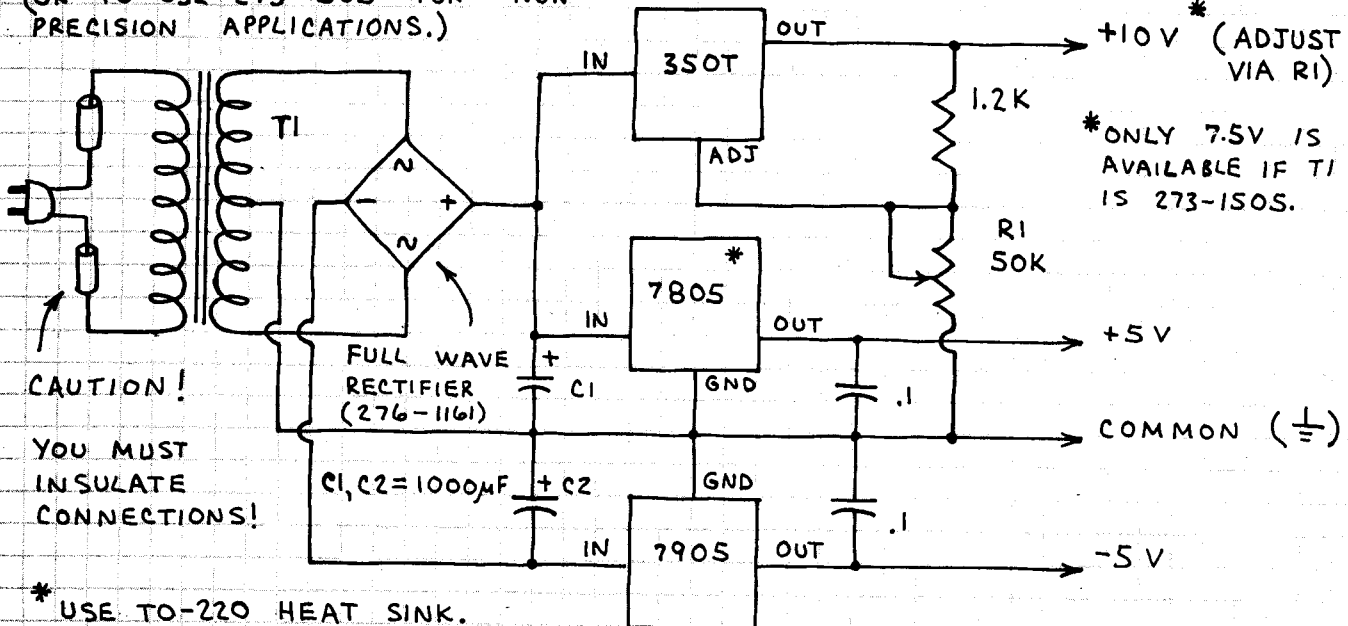
THRESHOLD CONTROL

8-BIT DAC



DAC 801 POWER SUPPLY

T1: 120VAC / 25.2 VAC CT (273-1512)
(OK TO USE 273-1505 FOR NON-PRECISION APPLICATIONS.)



CAUTION!
YOU MUST INSULATE CONNECTIONS!

* USE TO-220 HEAT SINK.

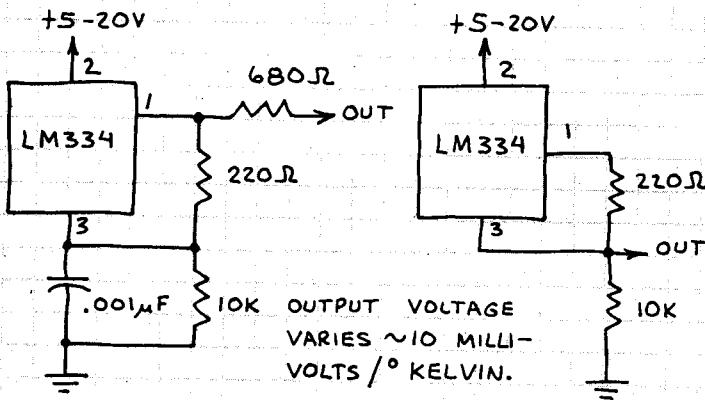
TEMPERATURE SENSOR AND ADJUSTABLE CURRENT SOURCE LM334 (276-1734)

VERSATILE 3-LEAD COMPONENT THAT LOOKS MORE LIKE A TRANSISTOR THAN AN IC. CAN BE USED AS A TEMPERATURE SENSOR, CURRENT SOURCE FOR LEDs AND OTHER COMPONENTS OR CIRCUITS, VOLTAGE REFERENCE, ETC.

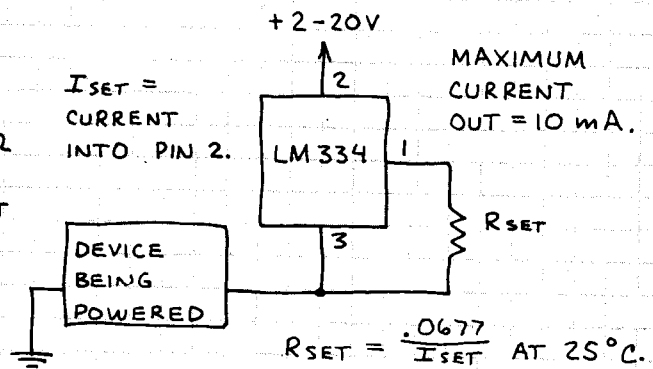


1 = R
2 = +V
3 = -V (GND)

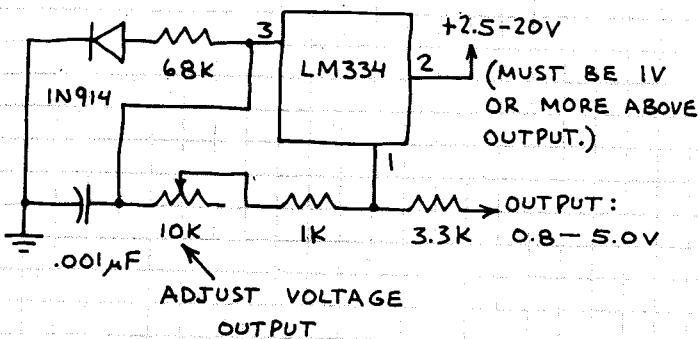
BASIC THERMOMETERS



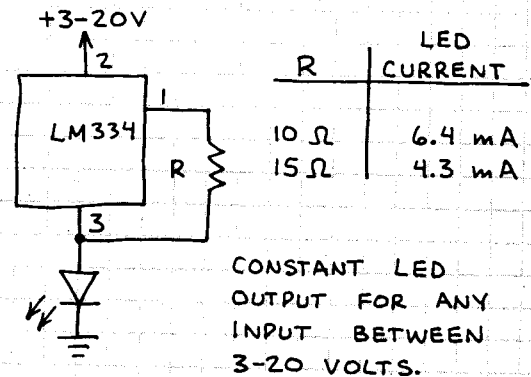
BASIC CURRENT SOURCE



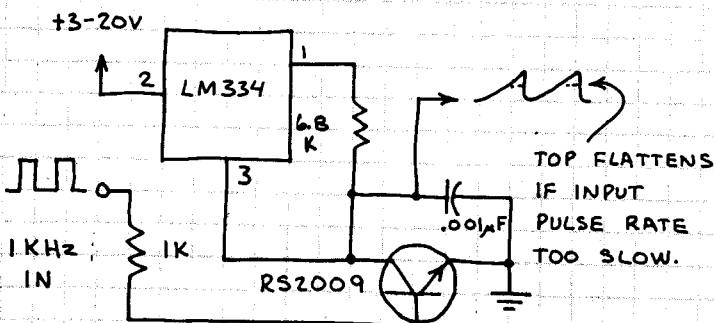
VOLTAGE REFERENCE



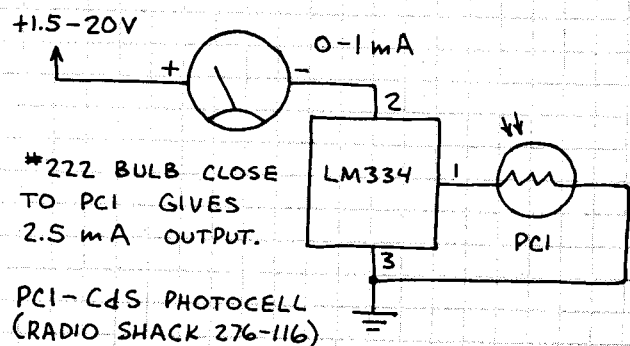
CALIBRATED LED



RAMP GENERATOR



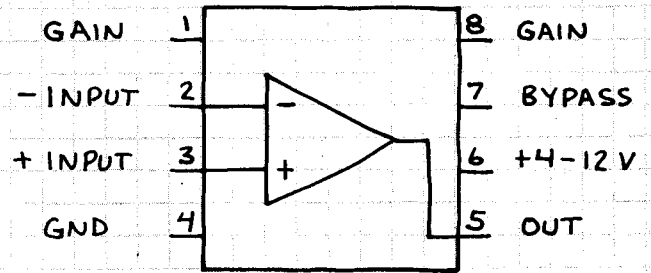
LIGHT METER



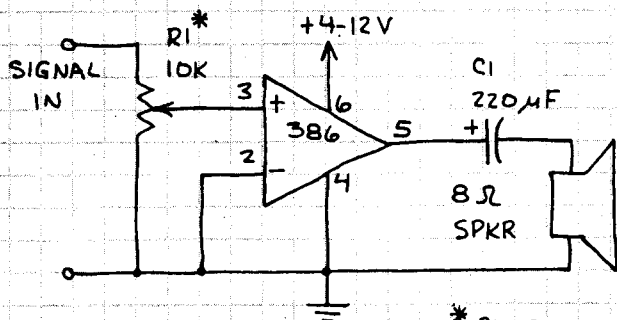
POWER AMPLIFIER

LM386

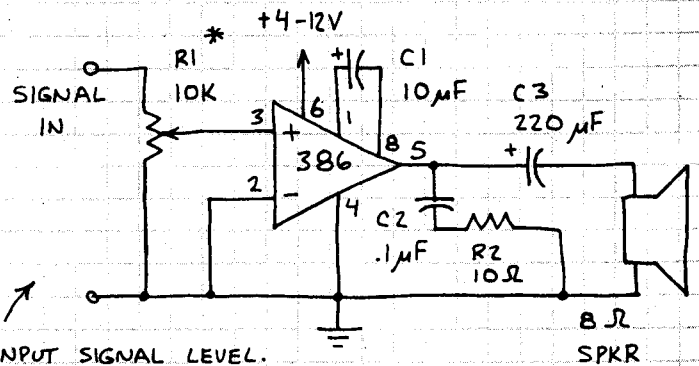
DESIGNED MAINLY FOR LOW VOLTAGE AMPLIFICATION. WILL DRIVE DIRECTLY AN 8-OHM SPEAKER. GAIN FIXED AT 20 BUT CAN BE INCREASED TO ANY VALUE UP TO 200.



X20 AMPLIFIER

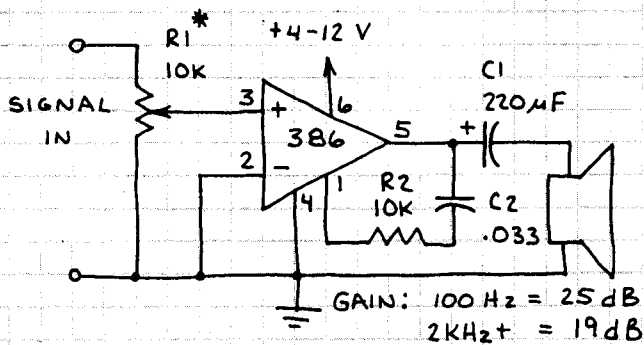


X200 AMPLIFIER

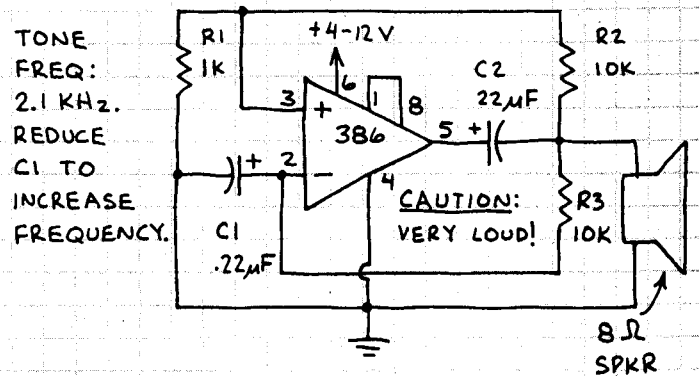


* R1 CONTROLS INPUT SIGNAL LEVEL.

BASS BOOSTER



AUDIBLE ALARM

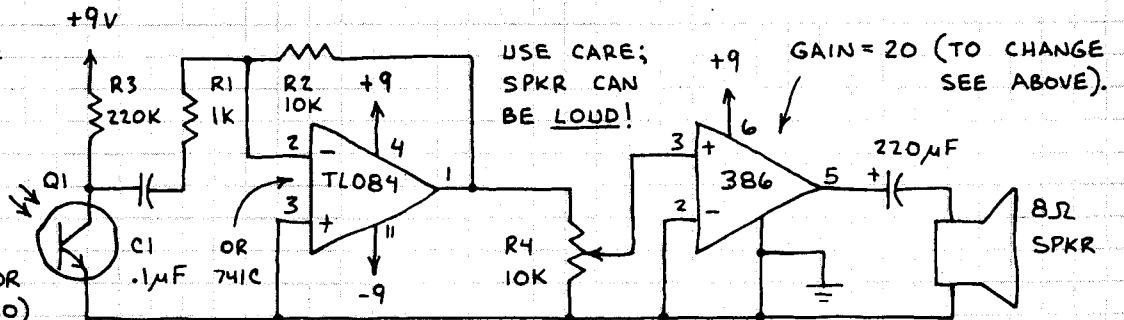


tone
freq:
2.1 kHz.
reduce
C1 to
increase
frequency.

HIGH GAIN POWER AMPLIFIER

CIRCUIT SHOWN IS VERY SENSITIVE LIGHT WAVE RECEIVER. OK TO USE OTHER OP-AMPS FOR THE TLO84.

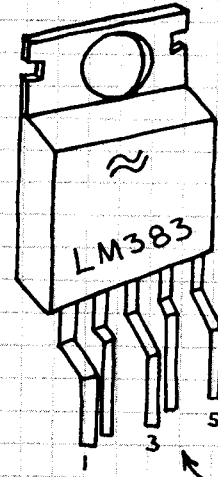
Q1 - PHOTOTRANSISTOR (RADIO SHACK 276-130)



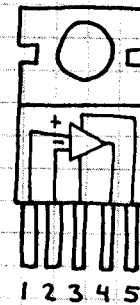
8-WATT POWER AMPLIFIER

LM383 / TDA2002

POWER AMPLIFIER DESIGNED SPECIFICALLY FOR AUTOMOTIVE APPLICATIONS — BUT IDEAL FOR ANY AUDIO AMPLIFICATION SYSTEM. DESIGNED TO DRIVE A 4-OHM LOAD (EQUIVALENT TO A SINGLE 4-OHM SPEAKER OR TWO 8-OHM SPEAKERS IN PARALLEL). THIS CHIP CONTAINS THERMAL SHUTDOWN CIRCUITRY TO PROTECT ITSELF FROM EXCESSIVE LOADING. THIS WILL CAUSE SEVERE DISTORTION DURING OVERLOAD CONDITIONS. YOU MUST USE AN APPROPRIATE HEAT SINK (e.g. RADIO SHACK 276-1363). SPREAD SOME HEAT SINK COMPOUND (276-1372) ON THE LM383 TAB BEFORE ATTACHING THE HEAT SINK.

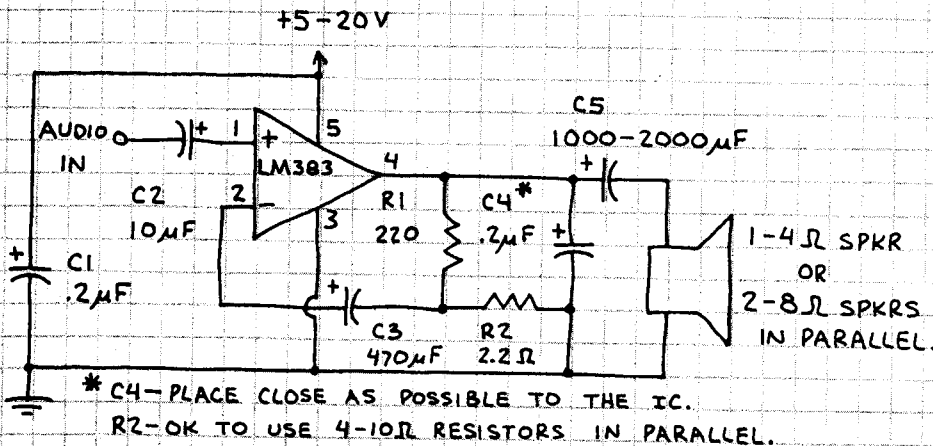


NOTE PRE-FORMED LEADS.



1 - + IN
2 - - IN
3 - GND
4 - OUT
5 - +5-20V

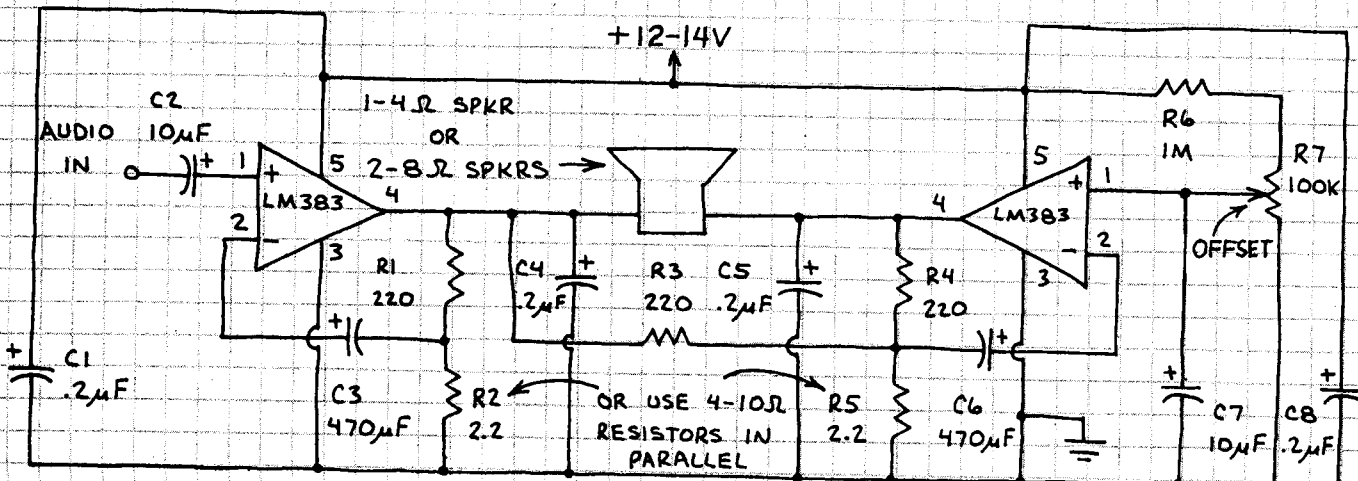
8-WATT AMPLIFIER



OPERATION:

1. USE HEAT SINK.
2. REDUCE POWER SUPPLY VOLTAGE TO 6-9 VOLTS (AS IN CIRCUIT BELOW) IF SEVERE DISTORTION OCCURS.
3. DON'T APPLY EXCESSIVE INPUT SIGNAL.

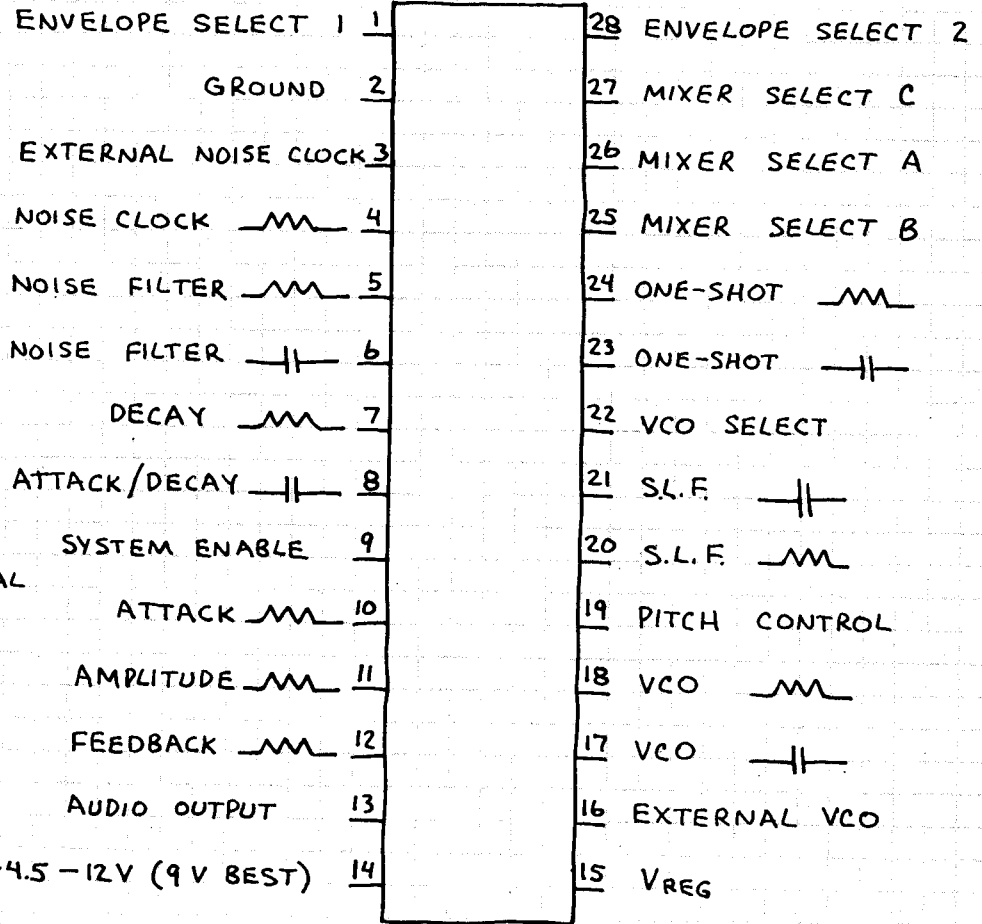
16-WATT BRIDGE AMPLIFIER



COMPLEX SOUND GENERATOR SN76477N

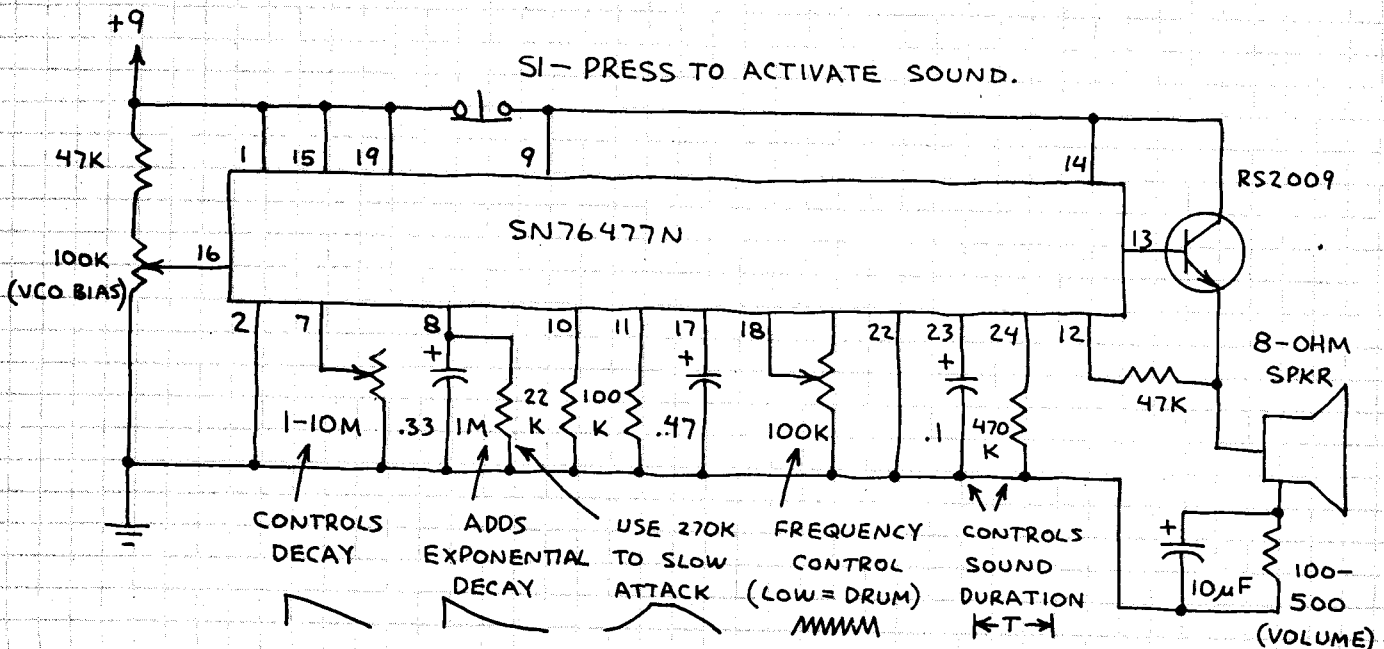
NOTE: THE SN76488 INCLUDES BUILT-IN SPEAKER AMPLIFIER. THE SN76477 DOES NOT.

INCORPORATES S.L.F. (SUPER LOW FREQUENCY OSCILLATOR), VCO (VOLTAGE CONTROLLED OSCILLATOR), NOISE GENERATOR AND A MIXER THAT ALLOWS THE OUTPUTS FROM ONE OR MORE OF THE ABOVE TO BE COMBINED. CAN BE OPERATED TOGETHER WITH APPROPRIATE RESISTORS AND CAPACITORS TO PRODUCE MANY KINDS OF SOUNDS. CAN BE CONTROLLED BY EXTERNAL LOGIC. SEE DATA SUPPLIED WITH CHIP FOR MORE INFO.



THIS CHIP IS EASY TO USE IF YOU FOLLOW DATA SHEET INSTRUCTIONS. +4.5 - 12V (9V BEST)

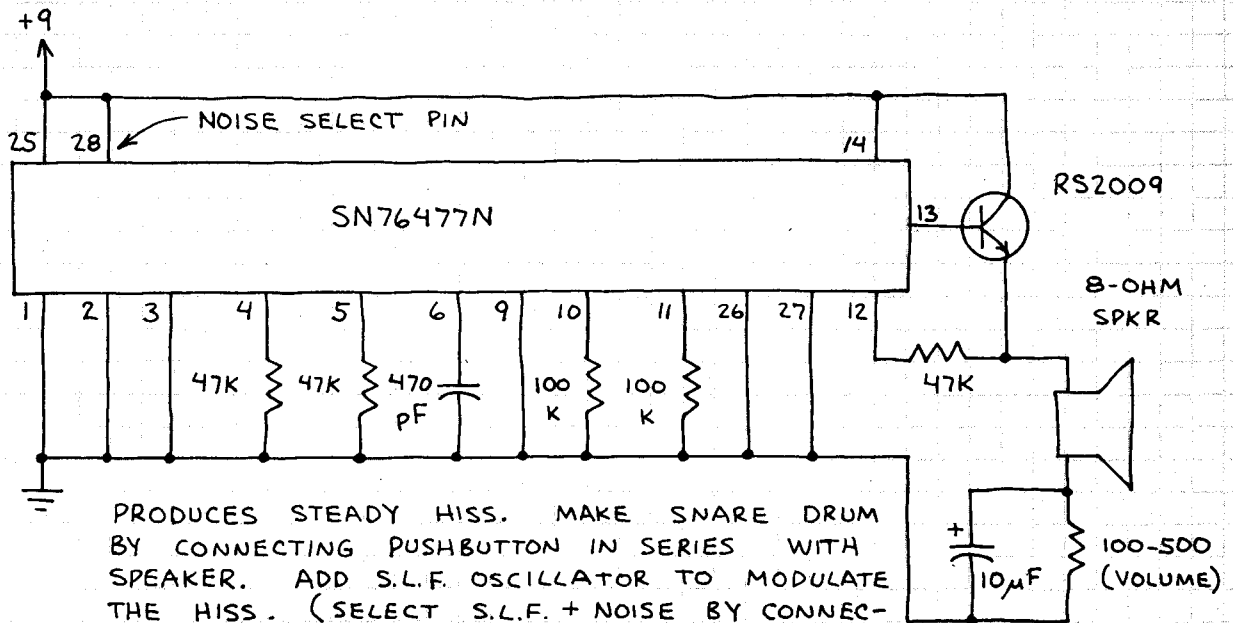
PERCUSSION SYNTHESIZER



COMPLEX SOUND GENERATOR (CONTINUED)

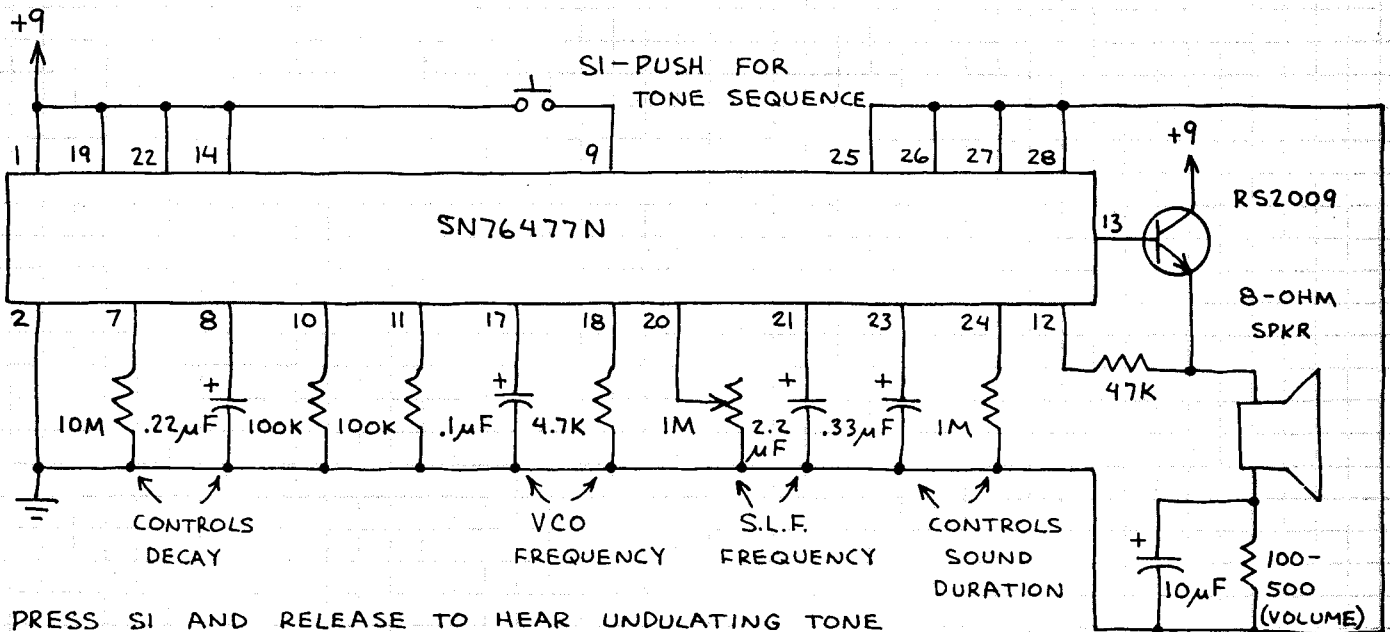
SN76477N /

NOISE GENERATOR



PRODUCES STEADY HISS. MAKE SNARE DRUM BY CONNECTING PUSHBUTTON IN SERIES WITH SPEAKER. ADD S.L.F. OSCILLATOR TO MODULATE THE HISS. (SELECT S.L.F. + NOISE BY CONNECTING PINS 25 AND 26 TO GND AND PIN 27 TO +9V. ADD 1M POT FROM PIN 20 TO GND AND 1µF CAPACITOR FROM PIN 21 TO GND.) SOUNDS LIKE STEAM TRAIN OR PROPELLER AIRCRAFT DEPENDING ON ADJUSTMENT OF 1M POT.

UNIVERSAL UP-DOWN TONE GENERATOR



PRESS SI AND RELEASE TO HEAR UNDULATING TONE THAT GRADUALLY DECAYS AND STOPS. CHANGE VCO AND S.L.F. COMPONENTS FOR MANY DIFFERENT SOUND EFFECTS RANGING FROM SIREN TO SCIENCE FICTION MOVIE SOUNDS. FOR CONTINUOUS SOUND, OMIT COMPONENTS AT PINS 7, 8, 23, 24 AND GROUND PIN 9.

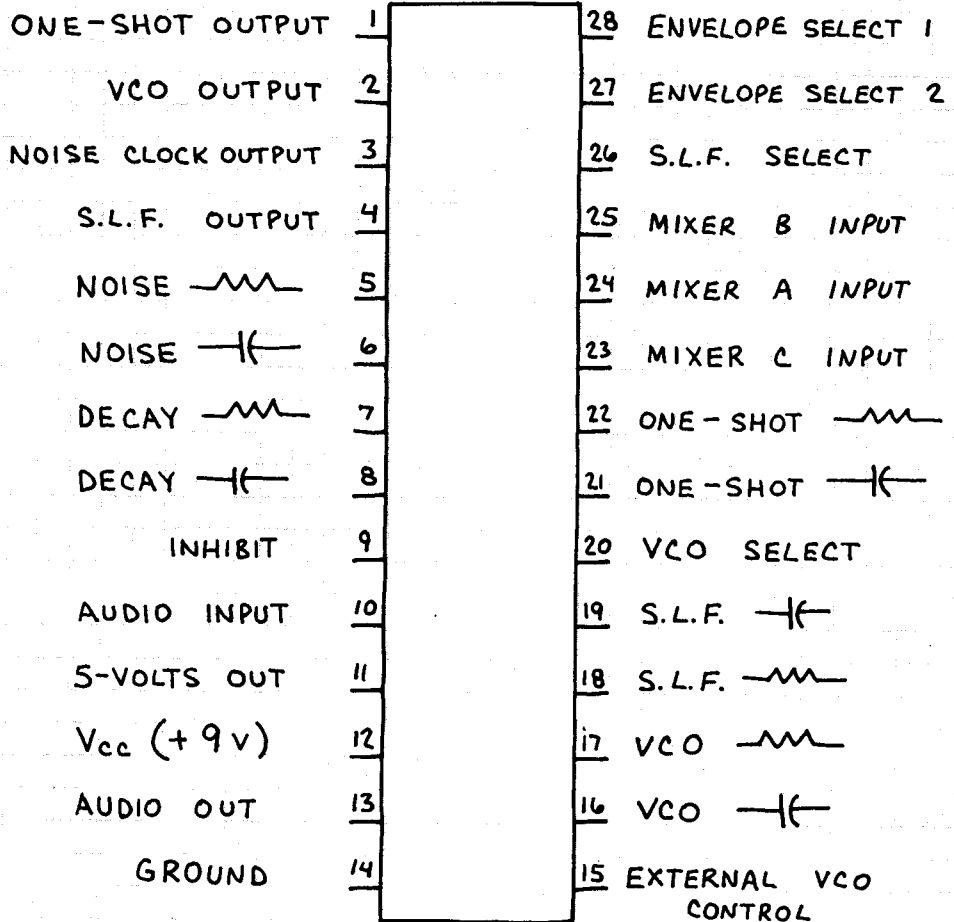
COMPLEX SOUND GENERATOR SN76488N

MODIFIED VERSION OF SN76477N. INCLUDES BUILT-IN AMPLIFIER FOR DIRECT SPEAKER DRIVE. NOTE THAT SN76488N AND SN76477N HAVE DIFFERENT PINOUTS.

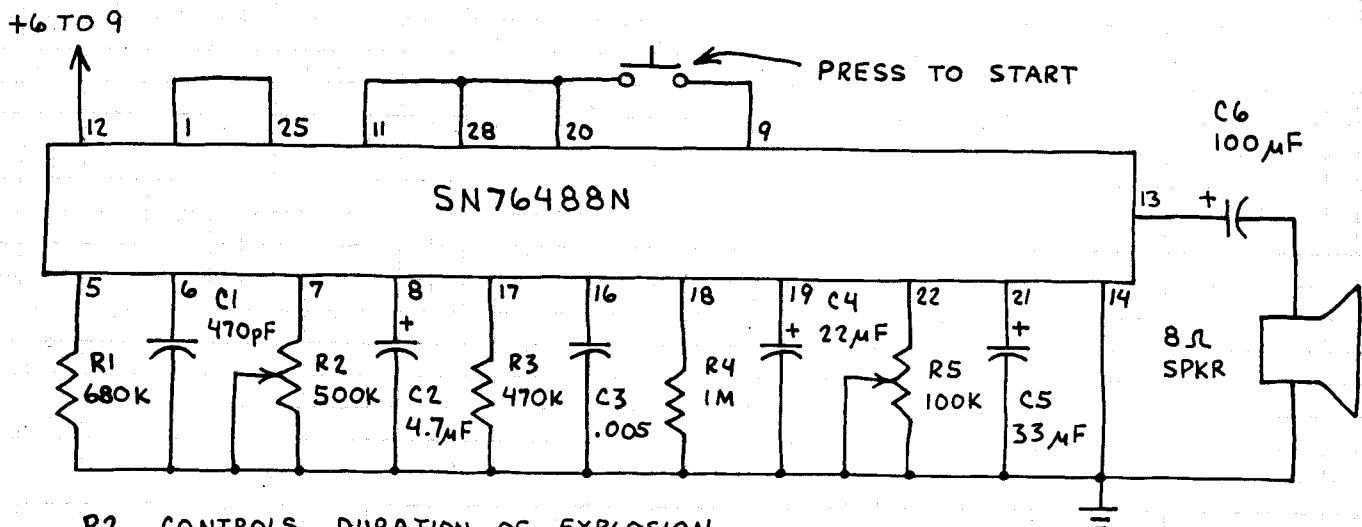
MANY DIFFERENT SOUNDS CAN BE CREATED. FOR BEST RESULTS, STUDY CAREFULLY THE TECHNICAL DATA SUPPLIED WITH CHIP.

VERY EASY TO DEVISE YOUR OWN UNIQUE SOUNDS!

NOTE: SOUND OUTPUT MAY CHANGE AS V_{cc} GOES FROM +6 TO +9V.



BOMB DROP PLUS EXPLOSION

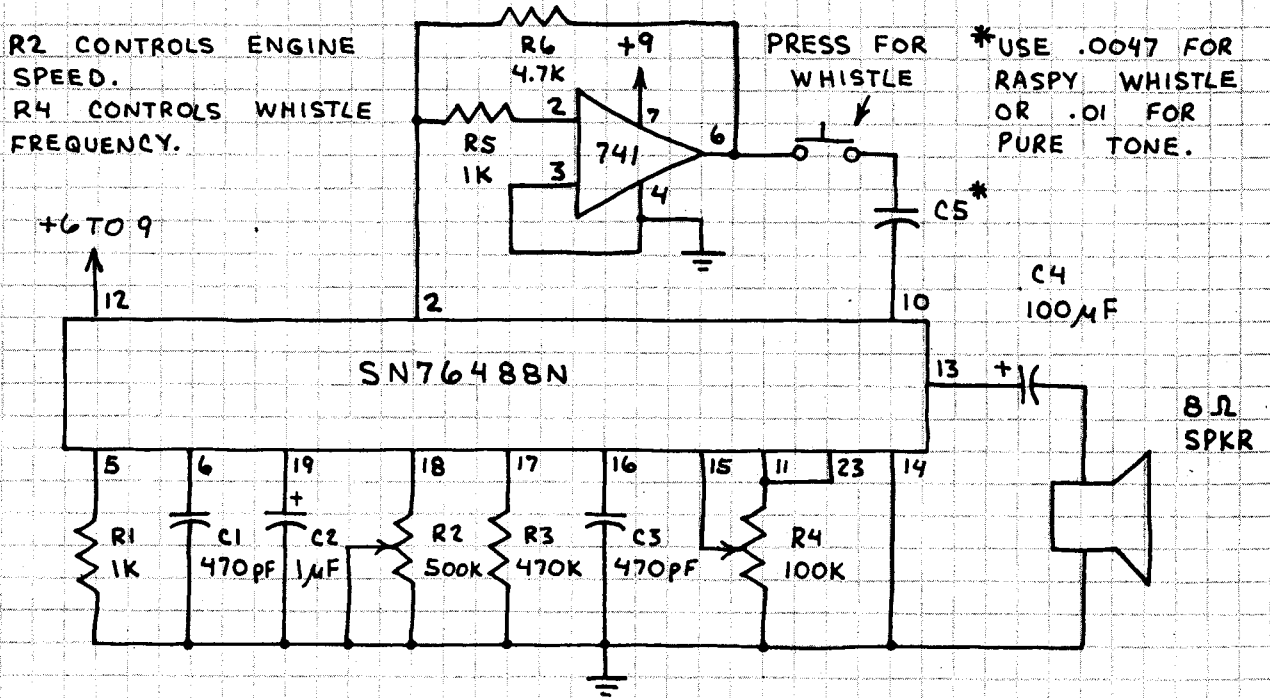


R2 CONTROLS DURATION OF EXPLOSION.
R5 CONTROLS ALTITUDE.

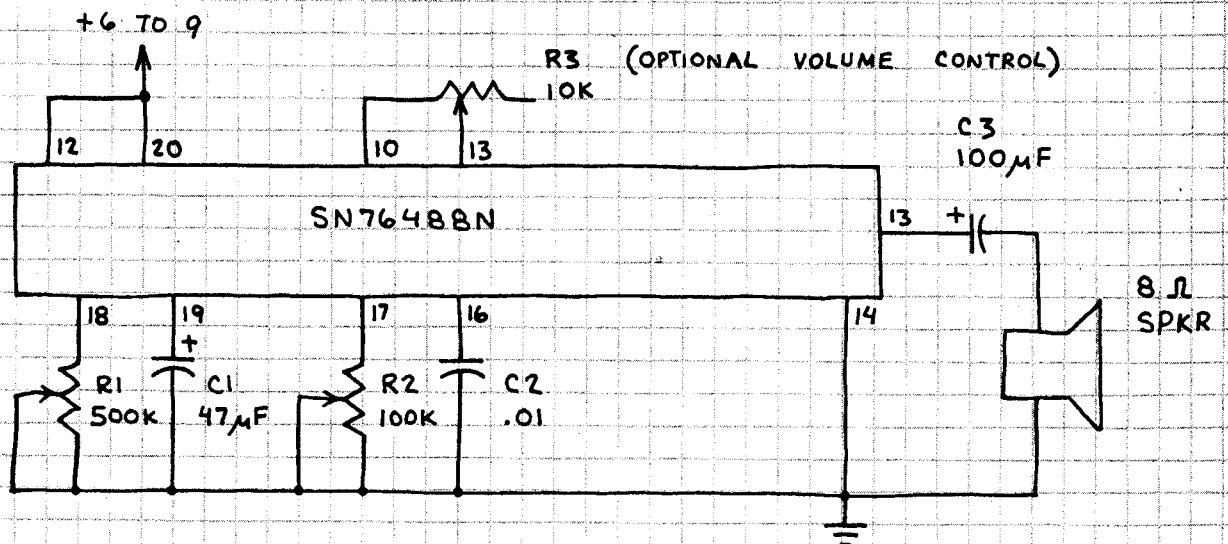
COMPLEX SOUND GENERATOR (CONTINUED)

SN76488N

IMPROVED STEAM ENGINE AND WHISTLE



THE ULTIMATE SIREN

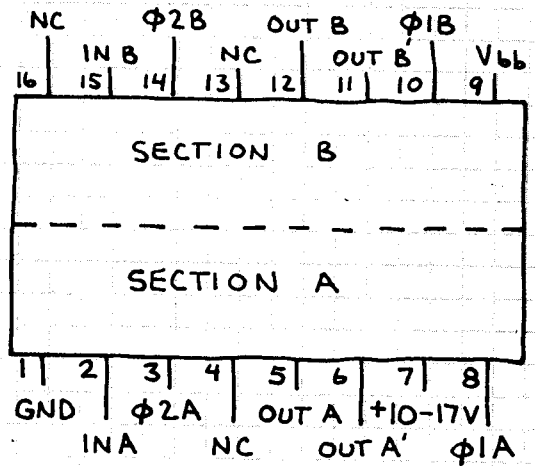


R1 CONTROLS CYCLE RATE.
R2 CONTROLS FREQUENCY.

ADJUST R1 FOR HIGH RESISTANCE TO GIVE ULTRA SLOW SIREN.

DUAL ANALOG DELAY LINE SAD-1024A

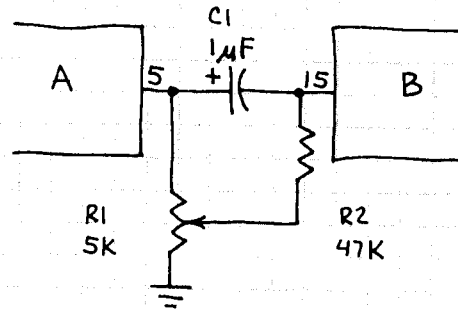
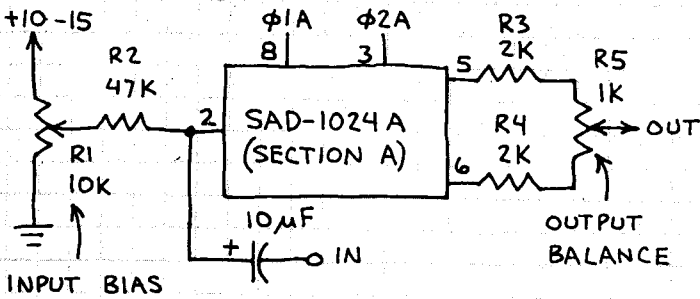
CONTAINS TWO INDEPENDENT 512 STAGE SERIAL ANALOG DELAY (SAD) LINES (ALSO CALLED ANALOG SHIFT REGISTERS). OK TO USE EACH 512 STAGE SAD SEPARATELY OR IN SERIES. ANALOG DELAYS OF UP TO 1/2 SECOND CAN BE ACHIEVED. A 2-PHASE CLOCK IS REQUIRED TO DRIVE INPUTS $\phi 1$ AND $\phi 2$. INPUT DATA RIDES THROUGH THE SAD ON ALTERNATING CLOCK PULSES AND APPEAR AT THE TWO OUTPUTS AFTER PASSING THROUGH ALL 512 STAGES. CONNECT V_{bb} TO V_{DD} (PIN 7) OR, FOR OPTIMUM RESULTS, TO 1 VOLT BELOW V_{DD} . THIS CHIP CAN BE TRICKY TO USE SINCE SEVERAL EXTERNAL ADJUSTMENTS ARE REQUIRED. CIRCUITS ON THIS PAGE EXPLAIN OPERATING REQUIREMENTS WHILE A COMPLETE CIRCUIT IS SHOWN ON FACING PAGE.



CAUTION: THIS NMOS CHIP IS VULNERABLE TO DAMAGE FROM STATIC DISCHARGE! FOLLOW CMOS HANDLING PROCEDURES.

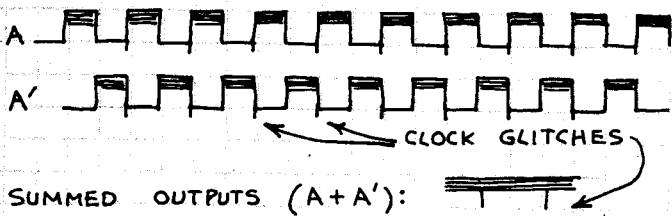
SERIAL OPERATION

SAD IN/OUT CONTROLS



R1 CONTROLS BIAS TO SECTION B. NOTE THAT ONLY ONE OUTPUT OF A IS CONNECTED TO INPUT OF B.

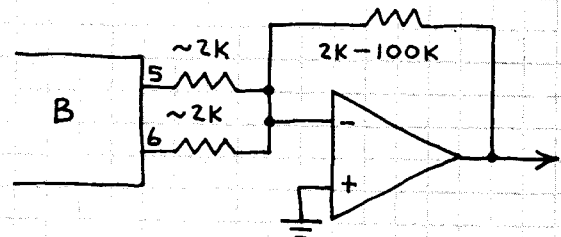
ADJUST R1 (INPUT BIAS) FOR OPTIMUM AUDIO OUTPUT. OUTPUTS APPEAR LIKE THIS ON A SCOPE:



SET SCOPE TO VISUALIZE INPUT SIGNAL (COMPRESSING CLOCK RATE):



OUTPUT SUMMER

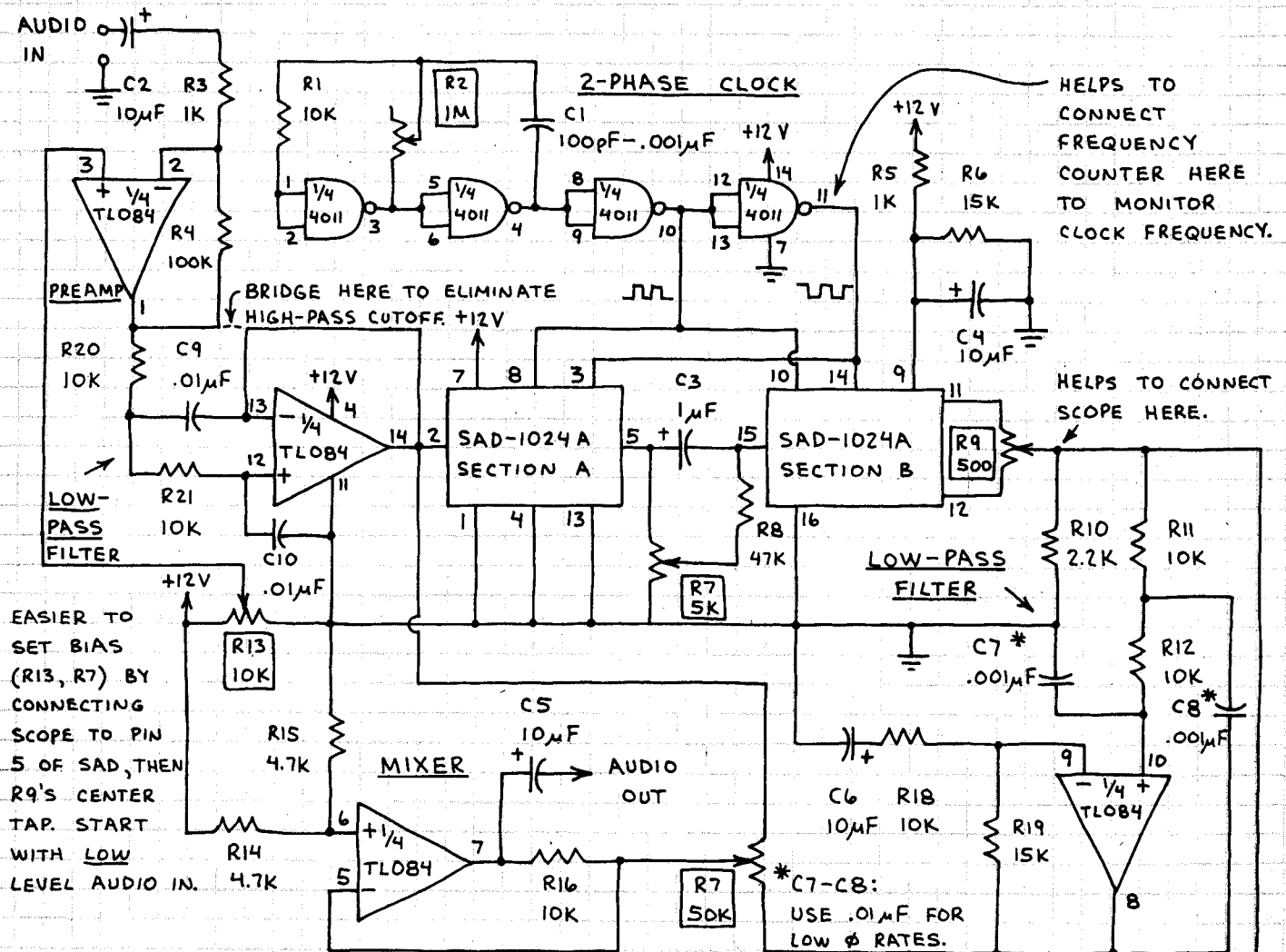


ANY OP-AMP CAN BE USED, BUT LOW NOISE FET INPUT TYPES ARE BEST.

DUAL ANALOG DELAY LINE (CONTINUED)

SAD-1024A

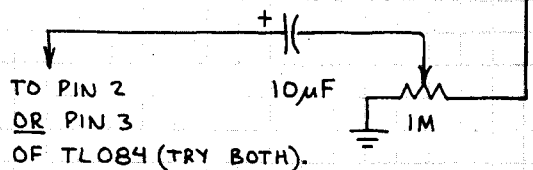
ADJUSTABLE FLANGER OR PHASER



EASIER TO SET BIAS (R13, R7) BY CONNECTING SCOPE TO PIN 5 OF SAD, THEN R9'S CENTER TAP. START WITH LOW LEVEL AUDIO IN.

ADJUST CIRCUIT FOR DESIRED EFFECT BY CONNECTING TRANSISTOR RADIO TO AUDIO INPUT. TUNE RADIO TO A TALK SHOW FOR BEST RESULTS. R13 AND R7 CONTROL BIAS TO SECTIONS A AND B OF THE SAD. R9 BALANCES THE SAD OUTPUTS. R2 CONTROLS THE CLOCK RATE. R17 IS THE MAIN BALANCE CONTROL. IT CONTROLS THE RELATIVE AMPLITUDES OF THE ORIGINAL AND DELAYED SIGNAL APPLIED TO THE MIXER. CONNECT THE OUTPUT TO A POWER AMPLIFIER. YOU MUST ADJUST BIAS CONTROLS PROPERLY FOR BEST RESULTS. SET R2 FOR LOW FREQUENCIES (3-8KHz) FOR SINGLE ECHO. USE HIGHER CLOCK FREQUENCIES (20-100KHz) FOR HOLLOW, SWISHY SOUNDS. NOTE: THIS CIRCUIT IS NOT FOR BEGINNERS.

REVERBERATOR



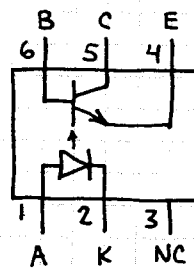
ADD THIS FEEDBACK CIRCUIT FOR UNUSUAL REVERBERATION EFFECTS. SLOW CLOCK FREQUENCIES GIVE MOST STRIKING REVERBERATIONS. TRY 5-20 KHz. FASTER CLOCK (20-100 KHz) AND CAREFUL ADJUSTMENT GIVES ROBOT-LIKE SOUND USED IN SOME SCIENCE FICTION MOVIES.

OPTOCOUPLERS

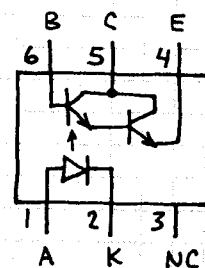
TIL 111 - PHOTOTRANSISTOR

TIL 119 - PHOTODARLINGTON

INFRARED LED TURNS ON PHOTOTRANSISTOR WHEN LED IS FORWARD BIASED. USE TO REDUCE ELECTRICAL NOISE AND SHOCK HAZARD. IDEAL FOR ISOLATING AND INTERFACING MICROCOMPUTER BUS LINES.



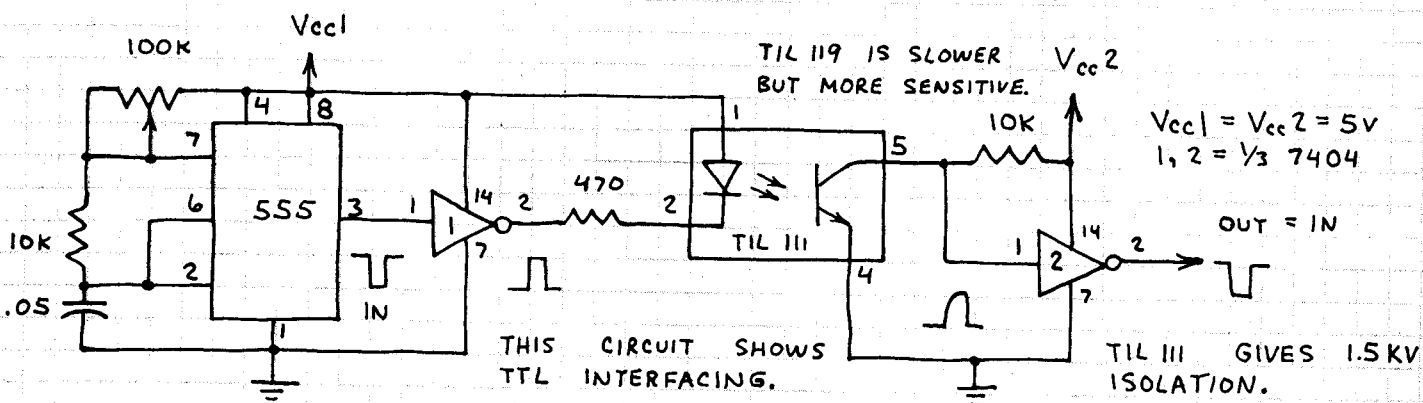
TIL 111



TIL 119

USE TIL 119 WHEN INPUT SIGNAL IS SMALL.

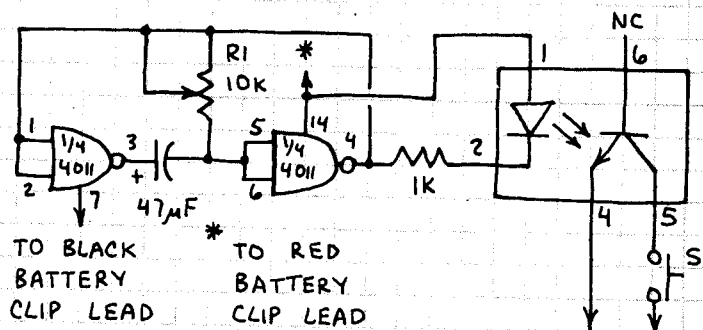
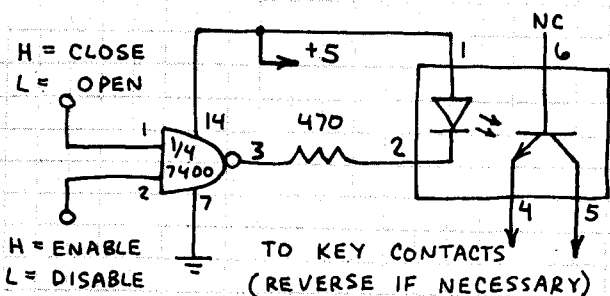
TIL 111 / TIL 119 TEST CIRCUIT



CALCULATOR / COMPUTER INTERFACING

KEYBOARD INPUT

CALCULATOR TIMER



IMPORTANT: THESE CIRCUITS MAY VOID YOUR CALCULATOR'S WARRANTY. I HAVE USED BOTH WITH A LOW COST CALCULATOR WITH LED READOUT. SEE POPULAR ELECTRONICS, DEC 1979 (PP. 85-87) FOR DETAILS. **ALWAYS FOLLOW MOS HANDLING PROCEDURES WHEN WORKING WITH CALCULATORS!** IF NOT, YOU MAY DAMAGE THE UNIT'S PROCESSING CHIP.

TO OPERATE:

1. SET R1 TO GIVE 10 Hz FREQUENCY.
2. ENTER
3. PRESS S1 FOR TIMING PERIOD.
4. READ TIME TO TENTH SECOND FROM DISPLAY.

TO KEY CONTACTS

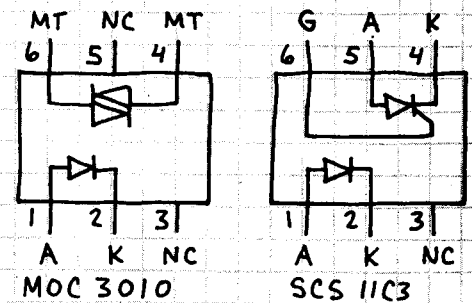
NOTE:
THIS SHOWS CMOS INTERFACE.

OPTOCOUPERS

MOC3010 - SCR

SCS11C3 - TRIAC

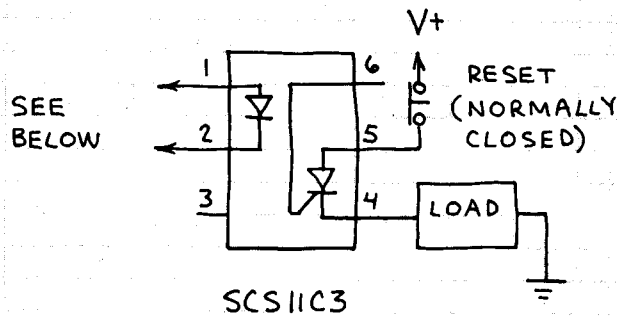
INFRARED LED SWITCHES
 TRIAC (MOC3010) OR SCR
 (SCS11C3). MOC3010 WILL
 SWITCH 120 VOLTS AC AT
 100 mA. SCS11C3 WILL
 SWITCH 200 VOLTS DC AT
 300 mA.



SEE RADIO SHACK'S
 'SEMICONDUCTOR REFERENCE GUIDE'
 FOR MORE INFORMATION.

CALCULATOR OUTPUT PORTS

SCR (DC) PORT

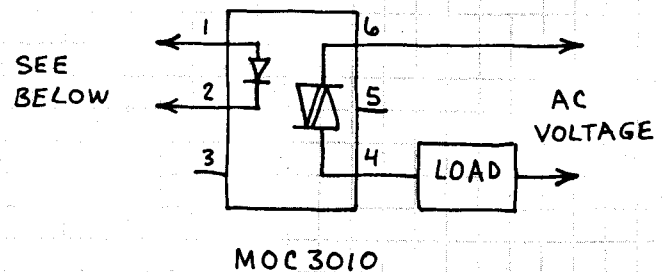


SCS11C3

CONNECT PINS 1 AND 2 TO DECIMAL
 POINT OF LOWEST ORDER READOUT
 DIGIT. BE SURE TO OBSERVE
 POLARITY. USE ONLY WITH
 CALCULATOR HAVING LED READOUT.
 TYPICAL OPERATION: KEY IN
 NUMBER WHICH PLACES DECIMAL
 ANYWHERE BUT FINAL DIGIT. THEN
 PRESS \square \square \square \square . NUMBER
 IN DISPLAY WILL BE DECREMENTED
 EACH TIME \square IS PRESSED. WHEN
 COUNT REACHES 0, DECIMAL
 MOVES TO LAST DIGIT AND
 ACTUATES OUTPUT PORT. FOR
 MORE INFORMATION SEE POPULAR
 ELECTRONICS, DEC. 1979 (PP. 86-87).
 SOME CALCULATORS WILL REQUIRE
 DIFFERENT KEYSTROKE SEQUENCE.

IMPORTANT: THESE CIRCUITS
 MAY VOID THE WARRANTY OF
 YOUR CALCULATOR OR COMPUTER.
 FOLLOW MOS HANDLING PROCEDURES
 TO AVOID DAMAGING CALCULATOR
 OR COMPUTER. COMPUTER PORTS
 DESIGNED TO INTERFACE WITH
 TTL OR LS BUS LINES.

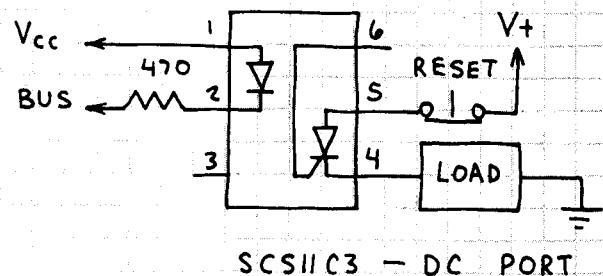
TRIAC (AC) PORT



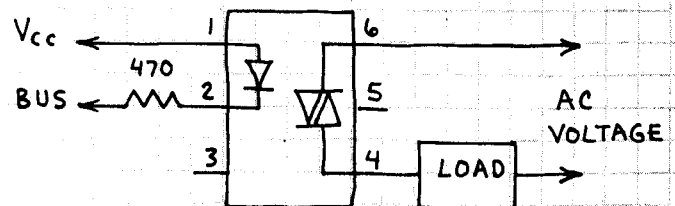
MOC3010

THE LOAD FOR ALL THESE CIRCUITS
 MAY BE LAMP, MOTOR OR OTHER
 DEVICE WHICH DOES NOT EXCEED
 RATING OF OPTOCOUPLER.

COMPUTER OUTPUT PORTS



SCS11C3 - DC PORT

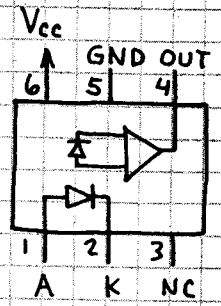


MOC3010 - AC PORT

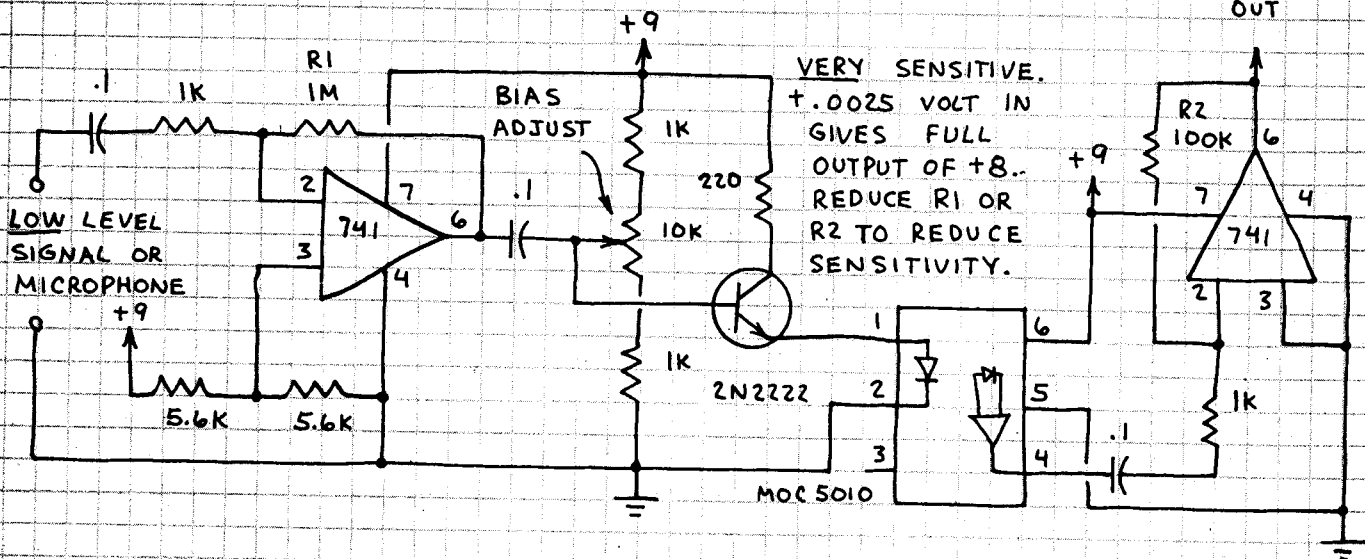
OPTOCOUPLER

MOC5010 LINEAR AMPLIFIER

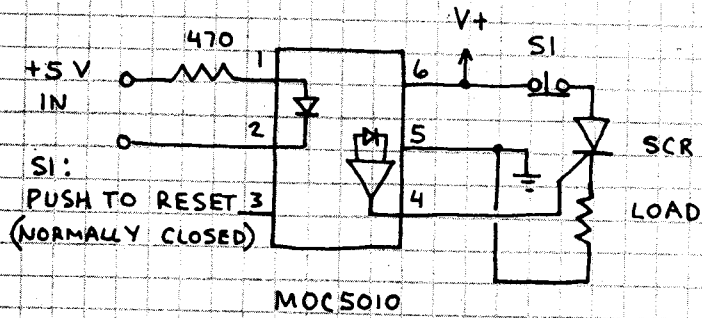
CONVERTS CURRENT FLOW THROUGH LED INTO OUTPUT VOLTAGE. IDEAL FOR TELEPHONE LINE COUPLING AND VARIOUS AUDIO APPLICATIONS.



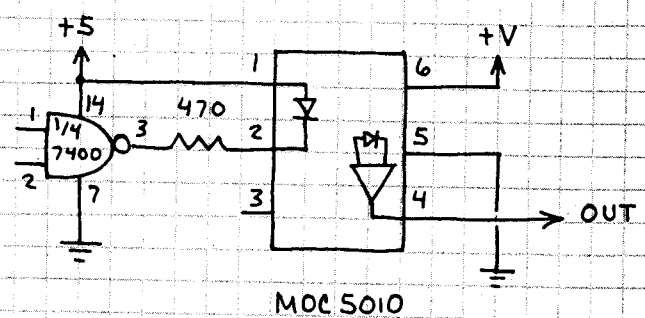
ISOLATED ANALOG DATA LINK



SCR DRIVER



TTL INTERFACING



AC SIGNAL ISOLATOR

